

SVEN[®]

Portable Speaker System
with Bluetooth

USER'S MANUAL



PS-88
PS-240

www.sven.fi

Congratulations on your purchase of the SVEN speaker system!

COPYRIGHT

© 2019. SVEN PTE. LTD. Version 1.0 (V 1.0).

This Manual and information contained in it are copyrighted. All rights reserved.

BUYER RECOMMENDATIONS

- Unpack the device carefully. Make sure there are no accessories left in the box. Check up the device for damage; if the product was damaged during transportation, address the firm which carried out the delivery; if the product functions incorrectly, address the dealer at once.
- Shipping and transportation equipment is permitted only in the original container.
- Does not require special conditions for realization.
- Dispose of in accordance with regulations for the disposal of household and computer equipment.

APPLICATION

SVEN PS-88 and SVEN PS-240 portable multimedia speaker systems with Bluetooth are designed for operation with PC, notebooks and other mobile devices by means of data transfer via Bluetooth protocol. There is a built in player with micro SD memory card.

PACKAGE CONTENTS

- Speaker system – 1 pc
- USB to micro USB power cable – 1 pc
- Mini-jack to mini-jack signal cable – 1 pc
- Carabine – 1 pc
- User's Manual – 1 pc
- Warranty card – 1 pc

SPECIAL FEATURES

- Bluetooth wireless signal transmission
- Built-in audio files player from micro SD card storage devices
- Waterproof (IPx7)
- Wired connection

Technical support is on www.sven.fi.

SPEAKER SYSTEM DESCRIPTION

- ① Volume decrease button (short pressing);
Previous track (long pressing in Player and Bluetooth mode)
- ② POWER button (long pressing);
Play/Pause button (short pressing in Player and Bluetooth mode);
Mute (short pressing in AUX mode);
Connecting an additional speaker (triple press);
Switch mode button: Bluetooth/Player/AUX (double short press)
- ③ Volume increase button (short pressing);
Next track (long pressing in Player and Bluetooth mode)
- ④ Indicator
- ⑤ AUX: 3.5 mm mini-jack for audio signal connecting (phone, MP3 player, etc.)
- ⑥ Micro SD card slot
- ⑦ Micro USB jack for charger connecting Speaker system to laptop / PC USB port

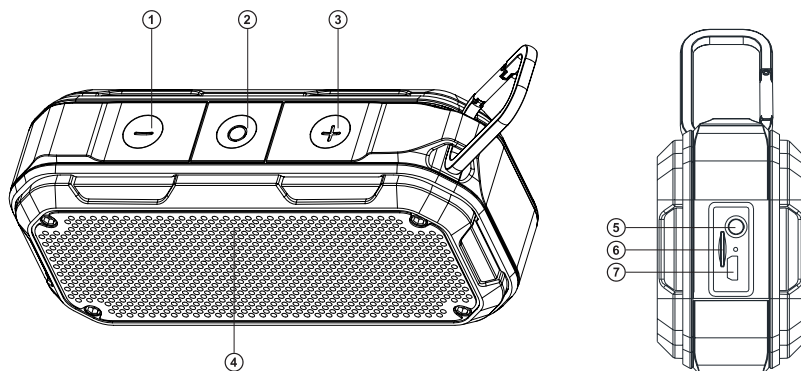


Fig. 1.

CONNECTION AND OPERATION

Attention! The built-in battery must be charged completely prior to the application.

Speaker system battery charging

- Connect speaker system to a USB port of PC or USB charger using micro USB to USB cable (included). During battery charging the indicator is red. Indicator goes out when the battery is charged.
- The battery is used in the speaker system as an integral part of the device, therefore do not try to extract or replace it, because this can result in the warranty cancellation or the device damage.

OPERATION MODES**Bluetooth mode**

- Wireless data transfer via the Bluetooth protocol enables to connect speaker system to compatible devices. Maximum radius of action of data transfer is 10 m. Such obstacles as walls or other electronic devices can interfere with the signal transfer.
- Turn on the speaker in Bluetooth mode.
- It is necessary to select the search mode of devices with Bluetooth on a signal source (telephone, notebook, smartphone, etc.). «SVEN PS-88» or «SVEN PS-240, massage will be displayed on the screen which is to be connected to*.
- When connection is successful, there will be a short beep and the indication of the search mode on speaker system is over**.

Player mode

Attention! The file system of a micro SD carrier is FAT32. Maximum volume is 32 GB.

- The system will enter the Player mode automatically when a carrier (SD card) is connected to corresponding ports. Use button ② to switch between Play / Pause modes. You can control tracks by using buttons ① (previous track) and ③ (next track) (long pressing).

The use in the wired mode (AUX)

- Connect the 3.5 mm mini-jack cable to the 3.5 mm mini-jack (included) to the AUX input and the 3.5 mm jack to the signal source
- Turn on the speaker in AUX mode – press the button ② several times until the speaker goes into AUX mode.

Connecting an additional speaker

For models PS-88 and PS-240, you can connect an additional speaker:

- Turn on both speakers (long press ②).
- On one of the speakers, 3 times quickly press the button ② until the sound signal appears. The speakers will connect with each other.

Note. At the subsequent inclusion of both speakers, they will be connected automatically

* You might have to enter “0000” code to connect some models of devices via Bluetooth.

** If the item has been already registered in the device list of a source, then the second search mode activation is not obligatory. Choose the item name «SVEN PS-88» or «SVEN PS-240» and the “connect” command on the source.

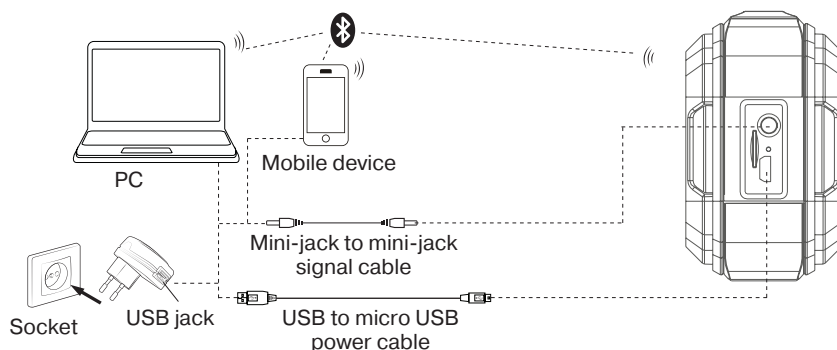


Fig. 2. Connection diagram

TECHNICAL SPECIFICATIONS

Parameter, measurement unit	Value PS-88	Value PS-240
Frequency response, Hz	100 – 20 000	100 – 20 000
Output power (RMS), W	7	12 (2 × 6)
Membrane, mm	Ø 36	Ø 36
Radius of operation Bluetooth, m	up to 10	up to 10
Battery capacity, mA * h	1500	2000
Power supply	USB/DC 5V	USB/DC 5V
Weight, g	280	470
Dimensions, mm	90 × 90 × 48	175 × 86 × 50

Notes:

- **Technical specifications given in this table are supplemental information and cannot give occasion to claims.**
- **Technical specifications and package contents are subject to change without notice due to the improvement of SVEN production.**

Technical support is on www.sven.fi.

Portable Speaker System with Bluetooth

SVEN®



Model: **PS-88, PS-240**

Импортер в России: ООО «РЕГАРД», 105082, РФ,
г. Москва, ул. Фридриха Энгельса, д.75, стр. 5.
Уполномоченная организация в России: ООО «РТ-Ф»,
105082, г. Москва, ул. Фридриха Энгельса, д. 56, стр. 1.
Условия гарантийного обслуживания смотрите в га-
рантийном талоне или на сайте www.sven.fi.

Гарантийный срок: 12 мес.

Срок службы: 2 года.

Производитель: «СВЕН ПТЕ. Лимитед», 176 Джу Чиаг
Роуд, № 02-02, Сингапур, 427447. Произведено под
контролем «Свен Скандинавия Лимитед», 48310, Фин-
ляндия, Котка, Котлахдентие, 15. Сделано в Китае.

Manufacturer: SVEN PTE. LTD, 176 Joo Chiat Road, № 02-
02, Singapore, 427447. Produced under the control of Oy
Sven Scandinavia Ltd. 15, Kotolahdentie, Kotka, Finland,
48310. Made in China.

© Registered Trademark of Oy SVEN
Scandinavia Ltd. Finland.



PS-88 PS-240