

**SVEN**®  
YOU WANT – WE CAN

Portable Multimedia USB  
Speaker System 2.0

## OPERATION MANUAL



**PS-35**

[www.sven.fi](http://www.sven.fi)

***Congratulations on your purchase of the Sven speaker system!***

Please read this operation manual before using the unit and retain this operation manual in safe place for future reference.

**COPYRIGHT**

© 2011. SVEN Company Ltd. Version 1.0 (V 1.0).

This manual and information contained in it are copyrighted. All rights reserved.

**TRADEMARKS**

All trademarks are the property of their legal holders.

**NOTICE OF RESPONSIBILITY RESTRICTION**

Despite the exerted efforts to make this manual more exact, some discrepancies may occur. The information of this manual is given on «as is» terms. The author and the publisher do not bear any liability to a person or an organization for loss or damages which have arisen from the information, contained in the given manual.

**UNPACKING**

Unpack the device carefully. Make sure there are no accessories left in the box. Check up the device for damages; if the product was damaged during transportation, address the firm which carried out the delivery; if the product functions incorrectly, address the dealer at once.

**ATTENTION!**

Do not switch the acoustic system on immediately after you bring it into a room from environment with negative temperature! After unpacking the acoustic system should be kept in conditions of room temperature for at least 4 hours.

**CONTENTS**

<b>1. MSS DESCRIPTION .....</b>	<b>2</b>
<b>2. SAFETY PRECAUTIONS .....</b>	<b>2</b>
<b>3. PACKAGE CONTENTS .....</b>	<b>2</b>
<b>4. SPECIAL FEATURES .....</b>	<b>2</b>
<b>5. LOCATING .....</b>	<b>2</b>
<b>6. AS CONSTRUCTION .....</b>	<b>3</b>
<b>7. CONNECTION AND OPERATION GUIDE .....</b>	<b>3</b>
<b>8. TROUBLE SHOOTING .....</b>	<b>4</b>
<b>9. TECHNICAL SPECIFICATION .....</b>	<b>4</b>

### **1. MSS DESCRIPTION**

SVEN PS-35 Portable Multimedia USB Speaker System 2.0 (MSS) is designed to play music, sound games, etc. MSS is characterized with high volume and an unusual cubic shape. Transformation mechanism (top panel cube rotation) lets you change dynamics angle and sound direction. MSS power supply is possible by USB or by batteries (AAA type), due to which it can be connected to virtually any audio source: a desktop computer, notebook, netbook, MP3 player or PSP. The speaker with a control panel is named the active one.

### **2. SAFETY PRECAUTIONS**

- Do not open the MSS and do not perform repairs by yourself.
- Do not put foreign objects inside the holes of the MSS. Make sure that needles, hair pins, coins, insects etc. do not get inside.
- Protect the MSS from high humidity, water and dust. Do not locate it in areas with high level of humidity and dust.
- Protect the MSS from heating: do not locate it near a heat source or expose to direct sunlight.
- Do not use gasoline, alcohol or other solvents when cleaning, since they may damage the paint-coated surface of the MSS. Clean it with dry soft cloth only.
- If the MSS does not operate, unplug it and address your dealer.

### **3. PACKAGE CONTENTS**

- Active speaker — 1 pc
- Passive speaker — 1 pc
- Signal cable — 1 pc
- Acoustic cable — 1 pc
- USB power cable — 1 pc
- Operation manual — 1 pc
- Warranty card — 1 pc

### **4. SPECIAL FEATURES**

- Compact design
- Rotating transformation ability
- Easy connection to various audio devices
- Volume control
- USB power supply or 3 AAA batteries

### **5. SYSTEM REQUIREMENTS**

- Notebook (netbook) or PC with USB port
- Any signal output with 3.5 mm jack

## 6. DESCRIPTION OF CONSTRUCTION

- ① Volume control wheel
- ② Power LED
- ③ Rotary mechanism
- ④ USB: USB port (power supply)
- ⑤ AUX: Audio source input
- ⑥ L OUT: Active speaker output
- ⑦ Passive speaker input
- ⑧ Battery compartment
- ⑨ ON/OFF: POWER switch
- ⑩ Battery compartment cover

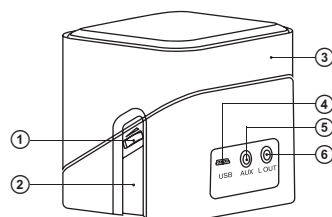


Fig. 1. Active speaker

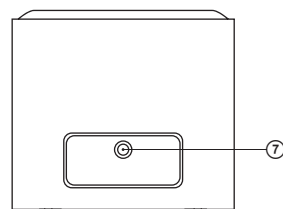


Fig. 2. Passive speaker

## 7. CONNECTION AND OPERATION GUIDE

SVEN PS-35 Multimedia Speaker System (MSS) can be connected to a USB-port on your computer or laptop (see Fig. 4).

- Connect the speakers to each other using the acoustic cable as shown in Fig. 4.
- Insert the mini-jack of the signal cable (included) into active speaker AUX ⑤, and connect the opposite mini-jack of the signal cable to LINE OUT port of the PC sound card or OUTPUT of MP3/CD-player, as shown in Fig. 4.
- Plug the USB-cable to the USB-port on your computer or laptop. (see Fig. 4).
- MSS power supply is also possible by using batteries.

### Batteries installation

- Open the battery compartment (see Fig. 3).
- Put in batteries (3 AAA type batteries – not included).
- Close the battery compartment.

### Notes:

- **Never use both USB and batteries power supply together.**
- **Don't rotate the mechanism of speaker transformation more than 180°!**
- Adjust volume level to its minimum by turning the volume control wheel ① counterclockwise until it stops.
- Shift the ON/OFF slide switch ⑨ on the active speaker bottom panel. Power LED ② will illuminate.
- Switch on the audio source and adjust MSS volume level by the volume control wheel ① or by Windows tools at your discretion. While turning the wheel clockwise ①, volume level increases, but while turning it counterclockwise, it reduces.

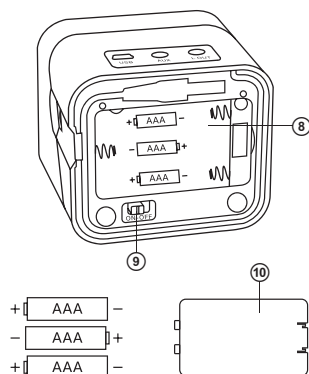


Fig. 3. Active speaker bottom view

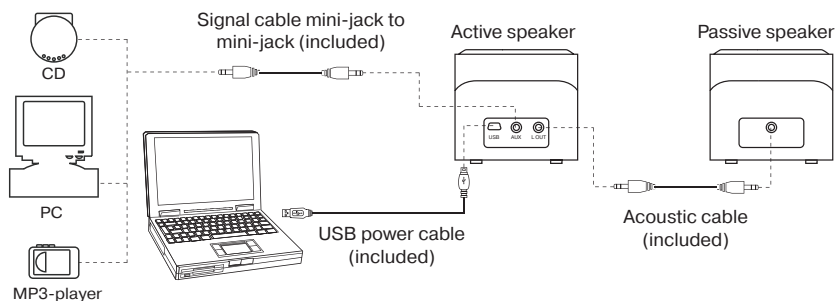


Fig. 4. Connection diagram

### Notes:

- Place the speakers symmetrically to the listener.
- Connect the speakers to a USB port of your laptop or PC, otherwise please use active USB-hub.
- After turning off the computer or laptop unplug the USB device.

### 8. TROUBLE SHOOTING

- If there is weak sound or there is no sound of the speakers, please make sure that the USB cable is plugged to the Laptop or PC and it is powered on. If power is supplied by batteries, make sure they are inserted into the battery compartment. If the batteries are discharged, replace them with new ones.
- If the sound is produced by one of the speakers only, check the connection of the speakers.

### 9. TECHNICAL SPECIFICATION

Parameter, measurement unit	Value
Output power (RMS), W	6 (2 × 3)
Frequency range, Hz	80 – 20 000
Speaker dimension, mm	∅ 50
Power supply, V	5DC/USB
Dimensions (one satellite) (W × H × D), mm	75 × 70 × 65
Weight, kg	0.372

### Notes:

- Technical specification given in this table is supplemental information and can not give occasion to claims.
- Technical specification is subject to change without notice due to improvement of SVEN production.

## Portable Multimedia USB Speaker System 2.0

**SVEN**®  
YOU WANT – WE CAN



### Модель: **PS-35**

Импортер в России: ООО «СКАНДИТРЕЛ»,  
111024, РФ, г. Москва, ул. Авиамоторная, д. 65, стр. 1.  
Уполномоченная организация в России: ООО «РТ-Ф»,  
105082, г. Москва, ул. Фридриха Энгельса, д. 75, стр. 5.  
Условия гарантийного обслуживания смотрите в  
гарантийном талоне или на сайте **www.sven.fi**  
Гарантийный срок: 12 мес.  
Срок службы: 2 лет.  
Произведено под контролем «Свен Скандинавия  
Лимитед», 48310, Финляндия, Котка,  
Котолахдентие, 15. Сделано в Китае.

### Модель: **PS-35**

Постачальник/імпортер в Україні: ТОВ «СВЕН Центр».  
Київська область, м. Переяслав-Хмельницький,  
вул. Героїв Дніпра, 31.  
Призначення, споживчі властивості та відомості  
про безпеку товару див. у керівництві з експлуатації.  
Умови гарантійного обслуговування дивіться в  
гарантийному талоні або на сайті **www.sven.fi**  
Гарантийний термін: 12 міс.  
Строк служби: 2 років.  
Товар сертифіковано/має гігієнічний висновок.  
Шкідливих речовин не містить.  
Зберігати в сухому місці.  
Виготовлено під контролем «Свен Скандинавія  
Лімітед», 48310, Фінляндія, Котка, Котолахдентіе, 15.  
Зроблено в Китаї.

Produced under the control of Oy Sven Scandinavia Ltd.  
15, Kotolahdentie, KOTKA, Finland, 48310.  
Made in China.

® Registered Trademark of Oy SVEN  
Scandinavia Ltd. Finland.

**PS-35**