

# SVEN<sup>®</sup>

Portable Speaker System  
with Bluetooth

## USER'S MANUAL



# PS-320

[www.sven.fi](http://www.sven.fi)

***Congratulations on your purchase of the SVEN speaker system!***

#### **COPYRIGHT**

© 2019. SVEN PTE. LTD. Version 1.0 (V 1.0).

This Manual and information contained in it are copyrighted. All rights reserved.

#### **CONTENTS**

<b>RUS</b> .....	<b>2</b>
<b>UKR</b> .....	<b>5</b>
<b>ENG</b> .....	<b>8</b>

#### **BUYER RECOMMENDATIONS**

- Unpack the device carefully. Make sure there are no accessories left in the box. Check up the device for damage; if the product was damaged during transportation, address the firm which carried out the delivery; if the product functions incorrectly, address the dealer at once.
- Shipping and transportation equipment is permitted only in the original container.
- Does not require special conditions for realization.
- Dispose of in accordance with regulations for the disposal of household and computer equipment.

#### **APPLICATION**

SVEN PS-320 portable multimedia speaker system with Bluetooth is designed for operation with PC, notebooks and other mobile devices by means of data transfer via Bluetooth protocol. It can be also used in internet telephony, during video conferences, in multimedia applications, in interactive games.

#### **PACKAGE CONTENTS**

- Speaker system – 1 pc
- USB to micro USB power cable – 1 pc
- Mini-jack to mini-jack signal cable – 1 pc
- User's Manual – 1 pc
- Warranty card – 1 pc

#### **SPECIAL FEATURES**

- Bluetooth wireless signal transmission
- Wired connection
- Waterproof (IPx7)

***Technical support is on [www.sven.fi](http://www.sven.fi).***

**Speaker system description**

- ① POWER button (long pressing)
- ② Volume level down button (short pressing);  
Previous track (long pressing in Bluetooth mode)
- ③ Play/Pause button (in Bluetooth mode);  
Mute (in AUX mode)
- ④ Volume level up button (short pressing);  
Next track (long pressing in Bluetooth mode)
- ⑤ AUX: signal source wired connection jack
- ⑥ DC 5V: MicroUSB jack for connecting speakers to the charger, the USB port of laptop/PC

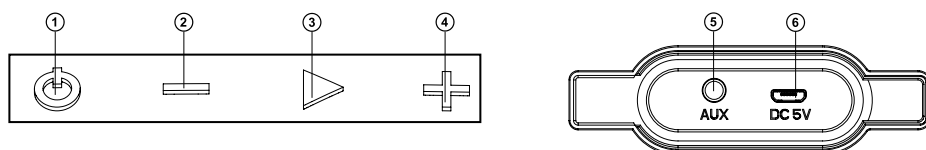


Fig. 1.

**CONNECTION AND OPERATION**

**Attention! The built-in battery must be charged completely prior to the application.**

**Speaker system battery charging**

- Connect speaker system to a USB port of PC or USB charger using micro USB to USB cable (included). During battery charging the indicator is red. Indicator will turn off if the battery is charged.
- The battery is used in the speaker system as an integral part of the device, therefore do not try to extract or replace it, because this can result in the warranty cancellation or the device damage.

**OPERATION MODES****Bluetooth mode**

- Wireless data transfer via the Bluetooth protocol enables to connect the speaker system to compatible devices. Maximum radius of action of data transfer is 10 m. Such obstacles as walls or other electronic devices can interfere with the signal transfer.
- Turn on the speaker in Bluetooth mode.
- It is necessary to select the search mode of devices with Bluetooth on a signal source (telephone, notebook, smartphone, etc.). «SVEN PS-320», message will be displayed on the screen which is to be connected to\*.
- When the connection is successful, there will be a short beep and the indication of the search mode on speaker system is over\*\*.

\* You might have to enter "0000" code to connect some models of devices via Bluetooth.

\*\* If the item has been already registered in the device list of a source, then the second search mode activation is not obligatory. Choose the item name «SVEN PS-320» and the "connect" command on the source.

**The use in the wired mode (AUX)**

- Speaker system can be used as an external device for amplifying any audio source with a 3.5 mm output mini-jack. Connect a cable 3.5 mini-jack to the audio input AUX IN.

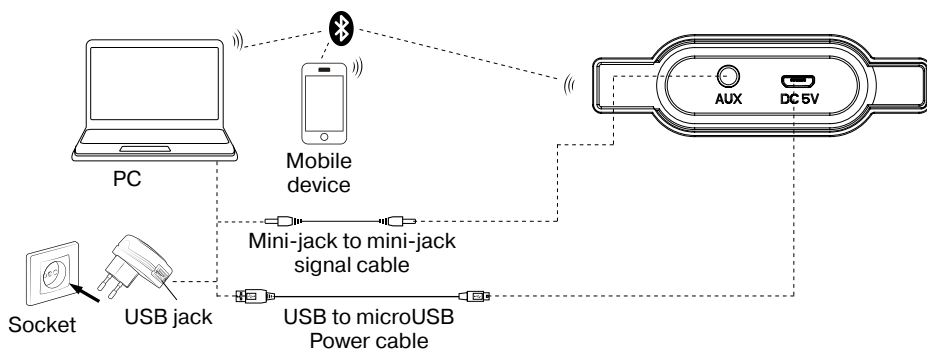


Fig. 2. Connection diagram

**TECHNICAL SPECIFICATIONS**

Parameter, measurement unit	Value
Frequency range, Hz	100 – 20 000
Output power (RMS), W:	15 (2 × 7.5)
Membrane, mm	Ø 66
Radius of Bluetooth operation, m	up to 10
Battery capacity, mA*h	2000
Power supply, V	USB/DC 5V
Weight, g	1400
Dimensions, mm	286 × 170 × 140

**Notes:**

- **Technical specifications given in this table are supplemental information and cannot give occasion to claims.**
- **Technical specifications and package contents are subject to change without notice due to the improvement of SVEN production.**

## Portable Speaker System with Bluetooth

# SVEN<sup>®</sup>



Manufacturer: SVEN PTE. LTD, 176 Joo Chiat Road, № 02-02, Singapore, 427447. Produced under the control of Oy Sven Scandinavia Ltd. 15, Kotolahdentie, Kotka, Finland, 48310. Made in China.

© Registered Trademark of Oy SVEN Scandinavia Ltd. Finland.



# PS-320

V02