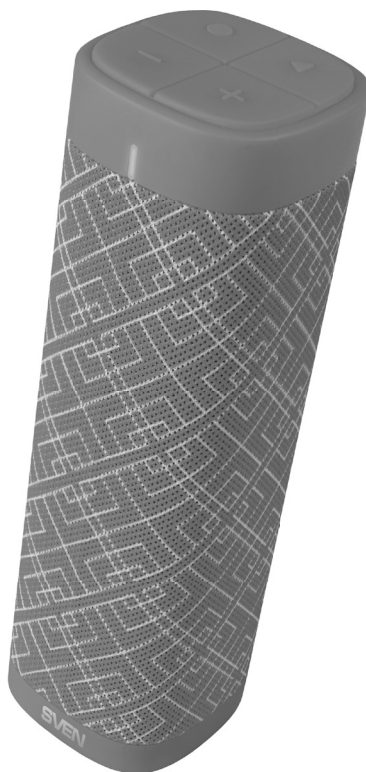


SVEN[®]

Portable Speaker System
with Bluetooth and FM-radio

USER'S MANUAL



PS-115

www.sven.fi

Congratulations on your purchase of the SVEN speaker system!

COPYRIGHT

© 2019. SVEN PTE. LTD. Version 1.0 (V 1.0).

This Manual and information contained in it are copyrighted. All rights reserved.

BUYER RECOMMENDATIONS

- Unpack the device carefully. Make sure there are no accessories left in the box. Check up the device for damage; if the product was damaged during transportation, address the firm which carried out the delivery; if the product functions incorrectly, address the dealer at once.
- Shipping and transportation equipment is permitted only in the original container.
- Does not require special conditions for realization.
- Dispose of in accordance with regulations for the disposal of household and computer equipment.

APPLICATION

SVEN PS-115 portable multimedia speaker system with Bluetooth and FM-radio is designed for operation with PC, notebooks and other mobile devices by means of data transfer via Bluetooth protocol. It can be also used in internet telephony, during video conferences, in multimedia applications, in interactive games. There is a built in FM-tuner, and player with USB flash and with micro SD memory card.

PACKAGE CONTENTS

- Speaker system – 1 pc
- USB to micro USB power cable – 1 pc
- Mini-jack to mini-jack signal cable – 1 pc
- User's Manual – 1 pc
- Warranty card – 1 pc

SPECIAL FEATURES

- Bluetooth wireless signal transmission
- Built-in audio files player from USB-flash and microSD card storage devices
- Built-in FM tuner
- Wired connection
- Wireless connection of two speakers to one source

Technical support is on www.sven.fi.

SPEAKER SYSTEM DESCRIPTION

- ① USB-flash card slot
- ② Micro USB jack for charger connecting Speaker system to laptop / PC USB port
- ③ Battery charge indicator
- ④ Micro SD card slot
- ⑤ AUX: 3.5 mm mini-jack for audio signal connecting (phone, MP3 player, etc.)
- ⑥ Indicator
- ⑦ Volume increase button (short pressing);
Next track (long pressing in Player and Bluetooth mode);
Next station (long pressing in Radio mode)
- ⑧ Play/Pause button (in Player and Bluetooth mode);
Start/Stop auto scan (long pressing in Radio mode);
Connecting an additional speaker (long pressing in Bluetooth mode)
- ⑨ Volume decrease button (short pressing);
Previous track (long pressing in Player and Bluetooth mode);
Previous station (long pressing in Radio mode)
- ⑩ Switch mode button: Bluetooth/FM/Player/AUX (short pressing);
POWER button (long pressing)

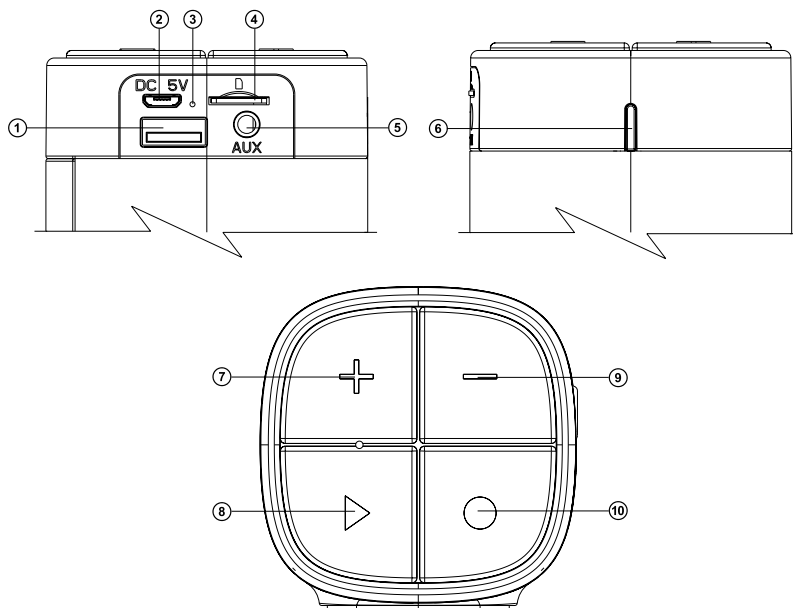


Fig. 1.

CONNECTION AND OPERATION

Attention! The built-in battery must be charged completely prior to the application.

Speaker system battery charging

- Connect speaker system to a USB port of PC or USB charger using micro USB to USB cable (included). During battery charging the indicator ③ is red. Indicator ③ goes out when the battery is charged.
- The battery is used in the speaker system as an integral part of the device, therefore do not try to extract or replace it, because this can result in the warranty cancellation or the device damage.

OPERATION MODES**Bluetooth mode**

- Wireless data transfer via the Bluetooth protocol enables to connect speaker system to compatible devices. Maximum radius of action of data transfer is 10 m. Such obstacles as walls or other electronic devices can interfere with the signal transfer.
- Turn on the speaker in Bluetooth mode.
- It is necessary to select the search mode of devices with Bluetooth on a signal source (telephone, notebook, smartphone, etc.). «SVEN PS-115», message will be displayed on the screen which is to be connected to*.
- When connection is successful, there will be a short beep and the search mode on speaker system is over**.

Radio mode

To improve the quality of radio reception, connect the microUSB – USB cable (included) to the microUSB input or the mini-jack signal cable to the mini-jack (included) to the AUX input.

- Turn on the speaker system – press button ⑩ several times until, the radio mode will turn on. Long-term pressing button ⑩ activates auto search mode. After scanning completion, the first scanned radio station will start to operate automatically. With buttons ⑨ and ⑦ (long pressing) select a desired radio station.

Player mode

Attention! The file system of a micro SD carrier is FAT32. Maximum volume is 32 GB. It is not recommended to use the micro SD Ultra Speed.

- The system will enter the Player mode automatically when a carrier (USB flash or SD card) is connected to corresponding ports. Use button ⑧ to switch between Play / Pause modes. You can control tracks by using buttons ⑨ (previous track) and ⑦ (next track) (long pressing).

* You might have to enter “0000” code to connect some models of devices via Bluetooth.

** If the item has been already registered in the device list of a source, then the second search mode activation is not obligatory. Choose the item name «SVEN PS-115» and the “connect” command on the source.

The use in the wired mode (AUX)

- Connect the 3.5 mm mini-jack cable to the 3.5 mm mini-jack (included) to the AUX input and the 3.5 mm jack to the signal source.
- Turn on the speaker in AUX mode – press the button ⑩ several times until the speaker goes into AUX mode.

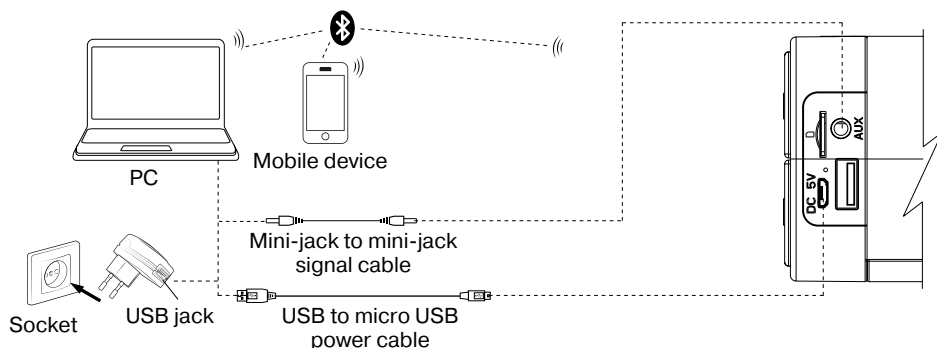


Fig. 2. Connection diagram

Connecting an additional speaker

It is possible to connect an additional speaker to the model "PS-115 " (Bluetooth mode only):

- Turn both speakers into Bluetooth mode.
- Connect the signal source to one of the speakers via Bluetooth (the second speaker should be in search mode – indicator ⑥ should flash).
- On the first speaker, press and hold ⑧.
- If two speakers are successfully connected between themselves, indicator ⑥ on the second speaker will glow constantly.

TECHNICAL SPECIFICATIONS

Parameter, measurement unit	Value
Frequency response, Hz	120 – 20 000
Output power (RMS), W	10 (2 × 5)
Membrane, mm	Ø 52
Radius of operation Bluetooth, m	до 10
Battery capacity, mA * h	1800
Power supply	USB/DC 5V
Weight, g	460
Dimensions, mm	210 × 65 × 64

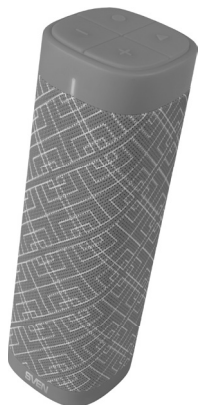
Notes:

- **Technical specifications given in this table are supplemental information and cannot give occasion to claims.**
- **Technical specifications and package contents are subject to change without notice due to the improvement of SVEN production.**

Technical support is on www.sven.fi.

Portable Speaker System with Bluetooth and FM-radio

SVEN®



Model: **PS-115**

Импортер в России: ООО «РЕГАРД», 105082, РФ,
г. Москва, ул. Фридриха Энгельса, д.75, стр. 5.
Уполномоченная организация в России: ООО «РТ-Ф»,
105082, г. Москва, ул. Фридриха Энгельса, д. 56, стр. 1.
Условия гарантийного обслуживания смотрите в га-
рантийном талоне или на сайте www.sven.fi.

Гарантийный срок: 12 мес.

Срок службы: 2 года.

Производитель: «СВЕН ПТЕ. Лимитед», 176 Джу Чиаг
Роуд, № 02-02, Сингапур, 427447. Произведено под
контролем «Свен Скандинавия Лимитед», 48310, Фин-
ляндия, Котка, Котolahdentie, 15. Сделано в Китае.

Manufacturer: SVEN PTE. LTD, 176 Joo Chiat Road, № 02-
02, Singapore, 427447. Produced under the control of Oy
Sven Scandinavia Ltd. 15, Kotolahdentie, Kotka, Finland,
48310. Made in China.

© Registered Trademark of Oy SVEN
Scandinavia Ltd. Finland.



PS-115