

SVEN[®]
YOU WANT – WE CAN

Full HD Web Camera
with Microphone

USER'S MANUAL



IC-990 HD

www.sven.fi

Congratulations on purchasing the SVEN web camera!

Please read this operation manual before using the unit and retain this User's Manual in a safe place for future reference.

COPYRIGHT

© 2014. SVEN PTE. LTD. Version 1.0 (V 1.0).

This Manual and information contained in it are copyrighted. All rights reserved.

TRADEMARKS

All trademarks are the property of their legal holders.

NOTICE OF RESPONSIBILITY RESTRICTION

Despite the exerted efforts to make this Manual more exact, some discrepancies may occur. The information in this Manual is given on "as is" terms. The author and the publisher do not bear any liability to a person or an organization for loss or damage which has arisen from the information contained in this Manual.

CONTENTS

1. SAFETY PRECAUTIONS	2
2. PACKAGE CONTENTS	2
3. SPECIAL FEATURES	2
4. SYSTEM REQUIREMENTS	2
5. CONNECTION AND INSTALLATION	3
6. DESCRIPTION	3
7. TECHNICAL SPECIFICATIONS	3

1. SAFETY PRECAUTIONS

- Protect your web camera from high humidity, dust or high temperatures.
- Do not use gasoline, spirit or other dissolvents for cleaning. This may cause damage to the surface. Clean the outside of the camera with soft dry cloth.
- Do not attempt to disassemble or repair your device.
- Protect the device against powerful shocks and falls – they may damage the internal electronics.

2. PACKAGE CONTENTS

- Web camera — 1 pc
- User's Manual — 1 pc
- Warranty card — 1 pc

3. SPECIAL FEATURES

- Built-in microphone
- Automatic focus
- High quality 5-lens optics
- Full HD sensor
- Hinges for camera rotation at any angle
- Stand for camera fixation on a desktop, laptop, LCD monitor
- Aluminum in enclosure design
- Plug&Play

4. SYSTEM REQUIREMENTS

- Windows XP/Vista/7/8/10/Mac OS 10.4.8/Linux 2.6.18 or up
- Pentium P4 1.4GHz or AMD Athlon 1GHz
- 128 MB RAM
- Video adapter supporting 24-bit color
- Available USB port

5. CONNECTION AND INSTALLATION

- Connect the web camera to an available USB port.
- For Windows XP/Vista/7/8/Mac OS 10.4.8/Linux 2.6.18 or up the web camera supports Plug and Play technology. The device installs automatically after its connection to a USB port.

6. DESCRIPTION

- ① Snapshot button
- ② Focus
- ③ Lenses
- ④ Built-in microphone
- ⑤ Hinges
- ⑥ Stand for camera fixation

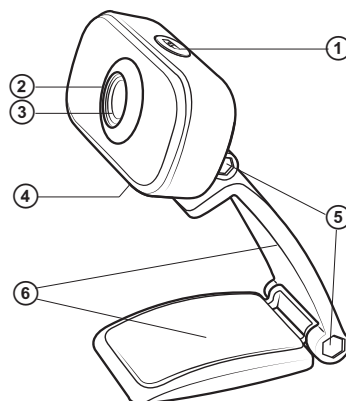


Fig. 1.

7. TECHNICAL SPECIFICATIONS

Parameter, unit	Value
Sensor type	CMOS
Resolution, pix	1920 × 1080
Frame rate, FPS	up to 30
Effective focal length, mm	4.2
Image resolution, Mpx	up to 2.0
Cable length, m	1.5
Dimensions, mm	55 × 75 × 30

Notes:

- **Technical specifications given in this table are supplemental information and cannot give occasion to claims.**
- **Technical specifications are subject to change without notice due to the improvement of SVEN production.**

**Full HD Web Camera
with Microphone**

SVEN®
YOU WANT – WE CAN



Manufacturer: SVEN PTE. LTD, 176 Joo Chiat Road,
Nº 02-02, Singapore, 427447. Produced under the
control of Oy Sven Scandinavia Ltd. 15, Kotolahdentie,
Kotka, Finland, 48310. Made in China.

® Registered Trademark of Oy SVEN
Scandinavia Ltd. Finland.



IC-990 HD