

SVEN[®]

Party Speaker System
with Bluetooth and FM-radio

USER MANUAL



PS-720 PS-750

www.sven.fi

Congratulations on your purchase of the SVEN speaker system!**COPYRIGHT**

© SVEN PTE. LTD. Version 2.0 (17.09.2021).

This Manual and information contained in it are copyrighted. All rights reserved.

BUYER RECOMMENDATIONS

- Unpack the device carefully. Make sure there are no accessories left in the box. Check up the device for damage; if the product was damaged during transportation, address the firm which carried out the delivery; if the product functions incorrectly, address the dealer at once.
- Shipping and transportation equipment is permitted only in the original container.
- Does not require special conditions for realization.
- Dispose of in accordance with regulations for the disposal of household and computer equipment.
- The date of manufacture of the product is indicated on the box.

APPLICATION

SVEN PS-720/PS-750 party speaker system with Bluetooth and FM-radio is designed for operation with PC, notebooks and other mobile devices by means of data transfer via Bluetooth protocol. It can be also used in internet telephony, during video conferences, in multimedia applications, in interactive games, for speech recognition and foreign language teaching. Microphone input with echo function, FM-tuner and the player with USB-flash and micro SD-cards are included.

PACKAGE CONTENTS

- Speaker system — 1 pc
- Antenna/3.5 mm mini-jack to 3.5 mm mini-jack signal cable — 1 pc
- USB to USB type-C power cable — 1 pc
- Remote control (RC) — 1 pc
- RC batteries (AAA type) — 2 pcs
- Microphone holder — 2 pcs
- User Manual — 1 pc
- Warranty card — 1 pc

SPECIAL FEATURES

- Bluetooth wireless signal transmission.
- Effective multi-colored lighting.
- Wireless connection of two speakers to one source*.
- Wired/wireless audio signal transmission.
- Built-in player for audio files from USB-flash and micro SD card.
- Built-in equalizer.
- Two microphone inputs with echo function.
- Built-in FM tuner.
- LED display.

* Only for models with production date from 04.2021.

Technical support is on www.sven.fi.

Speaker system description

- ① MIC1: 6.3 mm jack microphone jack.
- ② MIC2: 6.3 mm jack microphone jack.
- ③ AUX: 3.5 mm mini-jack for audio signal connecting (phone, MP3 player, etc.).
- ④ TF CARD: micro SD card slot.
- ⑤ USB: USB-flash card slot.
- ⑥ ON/OFF: power button.
- ⑦ Indicator.
- ⑧ DC 5V: USB type-C jack for charger connecting, the USB port of laptop/PC.
- ⑨ MIC VOL +/-: microphone volume control knob.
- ⑩ VOLUME +/-: volume control knob.
- ⑪ MODE: switching modes button: Bluetooth/Radio/Player/LINE IN (short pressing); ON/OFF the service signals (long pressing).
- ⑫ AUTO SCAN/▶▶: Play/Pause button (in Player and Bluetooth mode); Start/Stop auto scan (long pressing in Radio mode); Mute (short pressing in Radio and LINE IN mode).
- ⑬ CH/◀▶: button for switching between stations or frequency (in Radio mode); Repeat mode selection button (in the Player mode): ONE — repeats the current track; RAND — play tracks in the random order; ALL — plays all tracks in the sequential order; Disconnect from device (long pressing in Bluetooth mode); Save the selected frequency of the radio station in memory (long pressing in Radio mode).

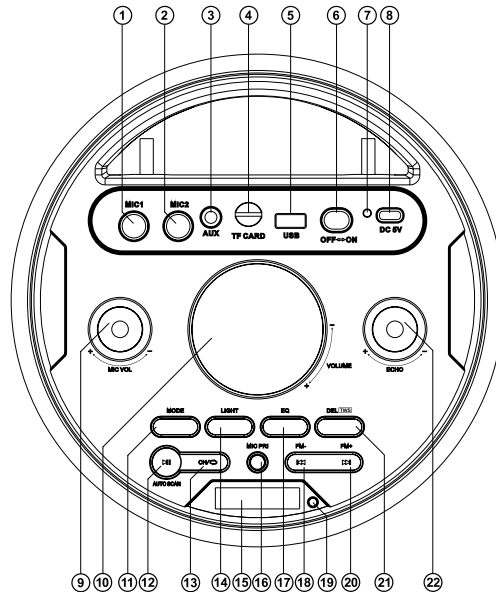


Fig. 1.

- ⑭ LIGHT: switching backlight modes (short pressing); Turning on/off the backlight (long pressing).
- ⑮ Display.
- ⑯ MIC PRI: mute with a connected microphone.
- ⑰ EQ: EQ mode switch button (short pressing); Return to default settings (long pressing).
- ⑱ FM-/◀: previous track (short pressing in Player and Bluetooth mode); Navigation on the track (long pressing in Player mode); Previous track/station (in Radio mode); Search for a station with a lower frequency (in Radio mode).
- ⑲ IR receiver.
- ⑳ FM+/▶: next track (short pressing in Player and Bluetooth mode); Navigation on the track (long pressing in Player mode); Next track/station (in Radio mode); Search for a station with a higher frequency (in Radio mode).
- ㉑ DEL(TWS): FM station deletion (long pressing in Radio mode); Connecting an additional speaker (long pressing in Bluetooth mode).
- ㉒ ECHO +/-: microphone echo adjustment knob.

Remote control

- ① MODE: switching modes button: Bluetooth/Radio/Player/LINE IN (short pressing); ON/OFF the service signals (long pressing).
- ② LIGHT (MUTE): switching backlight modes (short pressing); Mute (long pressing).
- ③ REP: disconnect from the device (long pressing Bluetooth mode); Repeat mode selection button (in Player mode).
- ④ EQ: EQ mode switch button.
- ⑤ VOL+/-: volume up/down.
- ⑥ ◀, CH-: previous track (in Player and Bluetooth mode); Previous station (in Radio mode).
- ⑦ ▶, CH+: next track (in Player and Bluetooth mode); Next station (in Radio mode).
- ⑧ ▶|, AUTO SCAN: Play/Pause button (in Player and Bluetooth mode); Start/Stop auto scan (long pressing in Radio mode); Mute (short pressing in Radio and LINE IN mode).
- ⑨ FM-/+: frequency change (in Radio mode).
- ⑩ 0-9: numeric pad for entering track number (in Player mode) or number track/station (in Radio mode).

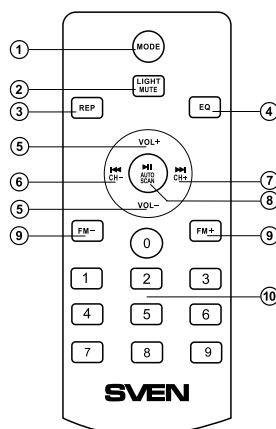


Fig. 2.

CONNECTION AND OPERATION

Attention! The built-in battery must be charged completely prior to the application.

Speaker system battery charging

- Connect speaker system to a USB port of PC or USB charger using type-C to USB cable (included). During battery charging the indicator ⑦ is red. Indicator ⑦ goes out when the battery is charged.
- The battery is used in the speaker system as an integral part of the device, therefore do not try to extract or replace it, because this can result in the warranty cancellation or the device damage.

OPERATION MODES

Bluetooth mode

- Wireless data transfer via the Bluetooth protocol enables to connect speaker system to compatible devices. Maximum radius of action of data transfer is 10 m. Such obstacles as walls or other electronic devices can interfere with the signal transfer.

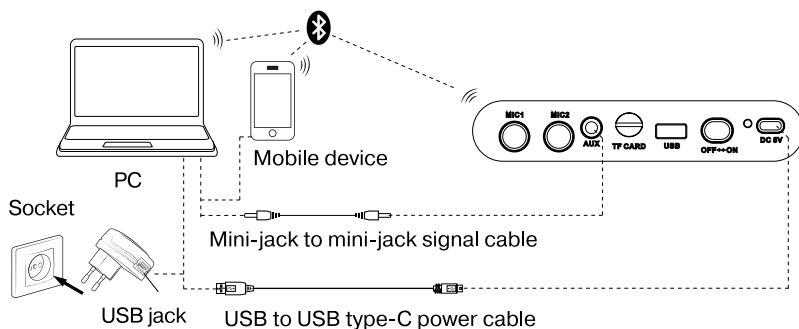


Fig. 3. Connection diagram

- Turn on the speaker system Bluetooth mode — press button MODE ⑪ several times until display shows «bt» inscription.
- It is necessary to select the search mode of devices with Bluetooth on a signal source (telephone, notebook, smartphone, etc.). «SVEN PS-720/750», message will be displayed on the screen which is to be connected to*.
- When connection is successful, there will be a short beep and the indication of the search mode on speaker system is over**.

* You might have to enter «0000» code to connect some models of devices via Bluetooth.

** If the item has been already registered in the device list of a source, then the second search mode activation is not obligatory. Choose the item name «SVEN PS-720/750» and the “connect” command on the source.

Radio mode

Attention! To improve the reception quality of the radio signal, connect the 3.5 mm mini-jack cable (included) to the AUX input ③.

- Turn on the speaker system — press button MODE ⑪ several times until the display shows the station frequency. Long-term pressing button ⑫ activates auto search mode. After scanning completion, the first scanned radio station will start to operate automatically. With buttons ⑬ and ⑭ select a desired radio station.

Player mode

Attention! The file system of a micro SD carrier is FAT32. Maximum volume is 32 GB. It is not recommended to use the micro SD Ultra Speed.

- The system will enter the Player mode automatically when a carrier (USB flash or SD card) is connected to corresponding ports. Use button ⑮ to switch between Play/Pause modes. You can control tracks by using buttons ⑯ (previous track) and ⑰ (next track).

THE USE IN THE WIRED MODE (LINE IN)

• Speaker system can be used as an external device for amplifying any audio source with a 3.5 mm output mini-jack. Connect a cable mini USB, plug 3.5 mini-jack to the audio input AUX ③. Turn the speakers to the LINE IN mode — press the MODE button ⑩ several times until «LINE» appears on the display.

Connecting an additional speaker (only for models with production date from 04.2021)

For models PS-720/PS-750 you can connect an additional speaker (Bluetooth mode only):

- Turn both speakers into Bluetooth mode.
- Connect the signal source to one of the speakers via Bluetooth (the second column should be in search mode).
- On another speaker press and hold button DEL(TWS) ⑫.
- If two speakers are successfully connected between themselves, the inscription TWS will glow constantly.

Reset

To reset the settings, long press the EQ button until «RES» appears. Then press button ► ⑩ on the RC or button ⑫ on the front panel. Settings will reset.

TECHNICAL SPECIFICATIONS

Parameter, measurement unit	Value
Frequency response, Hz	45–22 000
Output power (RMS), W	80 (2 × 40)
Speaker diameter, mm	Ø 32 + Ø 145
Battery capacity, mA*h	4 400 (2 pcs)
Power supply, V	USB = 5
Weight, g	5 200
Dimensions, mm	230 × 640 × 260

Notes. Technical specifications given in this table are supplemental information and cannot give occasion to claims. Technical specifications and package contents are subject to change without notice due to the improvement of SVEN production.

Party Speaker System
with Bluetooth and FM-radio

SVEN®

Model: PS-720, PS-750

Importer: Tiralana OY, Office 102, Kotolahdentie 15, 48310 Kotka, Finland.

Manufacturer: SVEN PTE. LTD, 176 Joo Chiat Road, № 02-02, Singapore, 427447.

Produced under the control of Oy Sven Scandinavia Ltd. 15, Kotolahdentie, Kotka, Finland, 48310. Made in China.

® Registered Trademark
of Oy SVEN
Scandinavia Ltd. Finland.



1B0917

PS-720
PS-750