

SVEN®
YOU WANT - WE CAN

5.1 Active Home Theater
Speaker System

OPERATION MANUAL



IH00 MT 5.1P

www.sven.fi

Congratulations on your purchase of the Sven speaker system!

COPYRIGHT

© 2014. SVEN PTE. LTD. Version 1.0 (V 1.0).

This Manual and information contained in it are copyrighted. All rights reserved.

TRADEMARKS

All trademarks are the property of their legal holders.

NOTICE OF RESPONSIBILITY RESTRICTION

Despite the exerted efforts to make this Manual more exact, some discrepancies may occur. The information in this Manual is given on «as is» terms. The author and the publisher do not bear any liability to a person or an organization for loss or damage which has arisen from the information contained in this Manual.

CONTENTS

1. BUYER RECOMMENDATIONS	1
2. PACKAGE CONTENTS	2
3. SAFETY PRECAUTIONS	2
4. TECHNICAL DESCRIPTION	2
5. PREPARATION AND OPERATION	4
6. TROUBLESHOOTING	8
7. TECHNICAL SPECIFICATIONS	9

1. BUYER RECOMMENDATIONS

- Unpack the device carefully. Make sure there are no accessories left in the box. Check up the device for damage; if the product was damaged during transportation, address the firm which carried out the delivery; if the product functions incorrectly, address the dealer at once.
- Check up the package contents and availability of the warranty card. Make sure the warranty card has a shop stamp, a legible signature or the seller's stamp and purchase date, and the number of the wall mount corresponds to that in the warranty card. Remember: in case of warranty card loss or discrepancy of numbers you forfeit the right for warranty repairs.
- Do not switch on the speaker system immediately after you bring it into a room from environment with negative temperature! After unpacking, the speaker system should be kept in conditions of room temperature for at least 4 hours.
- Before installing and using the speaker system, read this Manual carefully and keep it for future reference.

Technical support is on www.sven.fi

2. PACKAGE CONTENTS

- Subwoofer – 1 pc
- Satellites – 5 pcs
- Remote control – 1 pc
- 2 RCA to 2 RCA signal stereo cables – 3 pcs
- 2 RCA to mini jack signal stereo cables – 3 pcs
- Audio cables – 5 pcs
- Operation manual – 1 pc

3. SAFETY PRECAUTIONS



Caution!

High voltage inside! To avoid the risk of electric shock do not open and touch elements inside.

- To avoid electric shock, do not open the HTSS and do not perform repairs by yourself. Service and repairs should be performed only by qualified specialists in an authorized service center. The list of authorized service centers is available on www.sven.fi
- Do not allow the circuit of wires (including the grounded ones) between the speakers, on the power amplifier or the ground, for it causes damage to the power amplifier output stage.
- Do not touch the HTSS power cord plug pins for 2 seconds after unplugging it from the mains.
- Do not put foreign objects inside the holes of the HTSS.
- The product shall not be exposed to water dripping or splashing and no objects filled with liquids, such as vases shall be placed on the product.
- Protect the HTSS from heating: do not locate it near heating appliances or expose to direct sunlight.
- Do not place sources of open flame on or near the HTSS.
- Do not place the HTSS in poorly ventilated areas. Leave an air gap of 10 cm or more. When operating the HTSS, do not put any devices on it, do not cover it with cloth or other objects preventing it from cooling.
- HTSS has the device of cutting off connection, easy to operate. If the MAINS plug and coupled apparatus used as the disconnect device, the disconnect device should be convenient to insert and pull out.
- Do not clean the HTSS with chemicals, use dry soft cloth only.

4. TECHNICAL DESCRIPTION

IHOO MT 5.1P Home Theater Speaker System (HTSS) is designed for creating a home theater. The multi-channel 5.1 amplifier built into the subwoofer enables to connect the HTSS to virtually any audio source.

HTSS special features

- Speaker system is compatible with PCs, DVD/Media-players, mobile devices and other sound sources
- High-Quality silk dome tweeters for front and central speakers
- Remote Control
- Analog 5.1 channel AC-3 and DTS input, one stereo input
- PRO. LOGIC stereo signal processing
- Full magnetic shielding
- Electronic input selector: DVD, AUX

Subwoofer front panel

- ① STANDBY indicator
- ② AUX: AUX input indicator
- ③ DVD: DVD input indicator
- ④ NORMAL: stereo input indicator
- ⑤ PRO. LOGIC: PRO. LOGIC switch input indicator
- ⑥ DOWN: volume decrease indicator
- ⑦ UP: volume increase indicator
- ⑧ ON/STANDBY: standby button
- ⑨ INPUT: input switch button
- ⑩ SOUND: STEREO/PRO. LOGIC switch button
- ⑪ IR receive window
- ⑫ VOLUME-: volume decrease button
- ⑬ VOLUME+: volume increase button

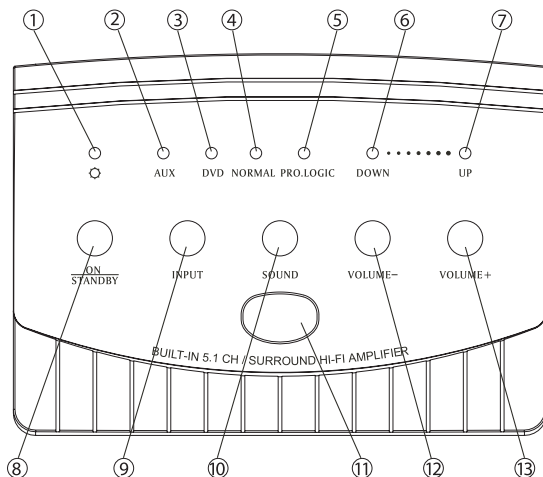


Fig. 1. Front panel

Subwoofer rear panel

- ① AUX: AUX input jack
- ② FL/FR: front channels input jacks
- ③ SL/SR: rear channels input jacks
- ④ SW: subwoofer channel input jacks
- ⑤ C: central channel input jack
- ⑥ FRONT RIGHT: right front output terminal
- ⑦ FR LT: left front output terminal
- ⑧ CENTER: center speaker output terminal
- ⑨ REAR RIGHT: right rear output terminal
- ⑩ REAR LEFT: left rear output terminal
- ⑪ POWER: power switch
- ⑫ Power cable

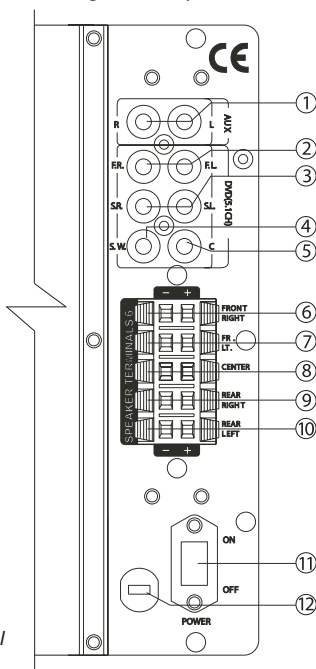


Fig. 2. Rear panel

5.1 Active Home Theater Speaker System

6. REMOTE CONTROL

- ① STANDBY: standby button
- ② MUTE: muting button
- ③ INPUT: sound source selection button
- ④ SOUND: PRO. LOGIC switch button
- ⑤ RESET: preset button
- ⑥ SW.VOL-: bass control button
- ⑦ SW.VOL+: bass control button
- ⑧ C.VOL-: center volume control button
- ⑨ C.VOL+: center volume control button
- ⑩ S.VOL-: rear channels volume control button
- ⑪ S.VOL+: rear channels volume control button
- ⑫ M.VOL-: master volume control button
- ⑬ M.VOL+: master volume control button

Remote control battery installation

- Open the battery compartment on the back of the remote control.
- Insert 2 AAA type batteries (included).
- Close the battery compartment.

Notes:

- **Use the remote control at an angle of no more than 30°, no more than 7 meters away.**
- **Direct the RC at the IR receiver display on the subwoofer.**
- **If the remote control does not work, check the battery or replace the discharged battery with a new one.**
- **Remove the battery from the remote control if you don't intend to use it for a long time (more than a week).**

5. PREPARATION AND OPERATION

Speaker placement

- To achieve optimum sound, it's recommended that you place the speakers according to Fig. 4. The center and front speakers should be located along an imaginary circle with the distance between the listener and the center channel speaker as a radius, and the listener's head as the center. Each of the three speakers should be placed at equal distance from the listener. The front speakers and the listener make up an equilateral triangle. The rear speakers are placed at the same distance from the listener (on the imaginary circle, too) at an angle of nearly 110° to the Listener – Display axis.
- Avoid placing your speakers in the corners and close to walls, as this can lead to unwanted resonance and distortions. If possible, place them at least 20 cm away from walls.
- For more accurate perception, the tweeters should be at the listener's ear level.

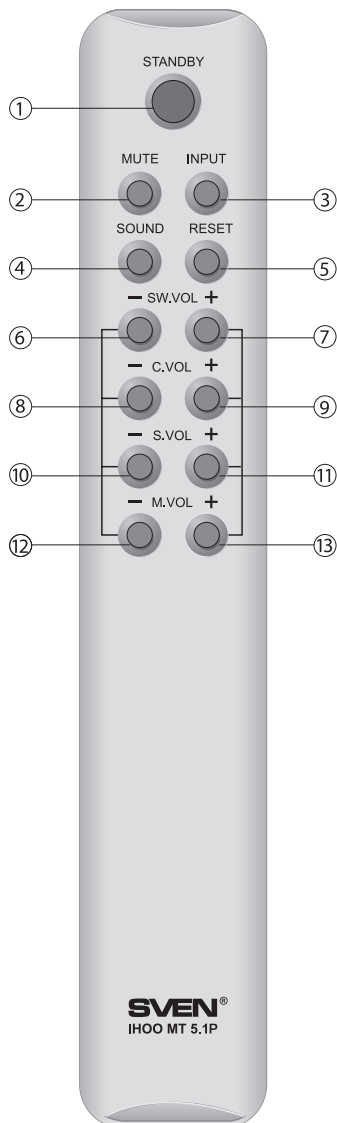


Fig. 3. Remote control

- Do not locate the speakers in niches. Such placement can affect the sound badly, especially in the lows.
- The subwoofer emits non-directional sound, therefore it can be located in any place of the room where it sounds the best.

Placement of the speakers

We recommend that the subwoofer and the satellites be located according to the Fig. 5. The center channel speaker should be located above or below a TV set (monitor).

Connections illustration

- To prevent malfunction and/or damage to speakers or other devices, always turn down the volume, and turn off the power on all devices before making any connections.
- Connect the Subwoofer, the Center, the Front and the Surround Speakers

Operation

Power on and off

Connect the power plug to the power socket of subwoofer and press power button at the rear side of subwoofer; in a few seconds later indicator blinks. Press standby button ① on Remote Control or On/Standby ② key at the front panel on subwoofer to switch on the system.

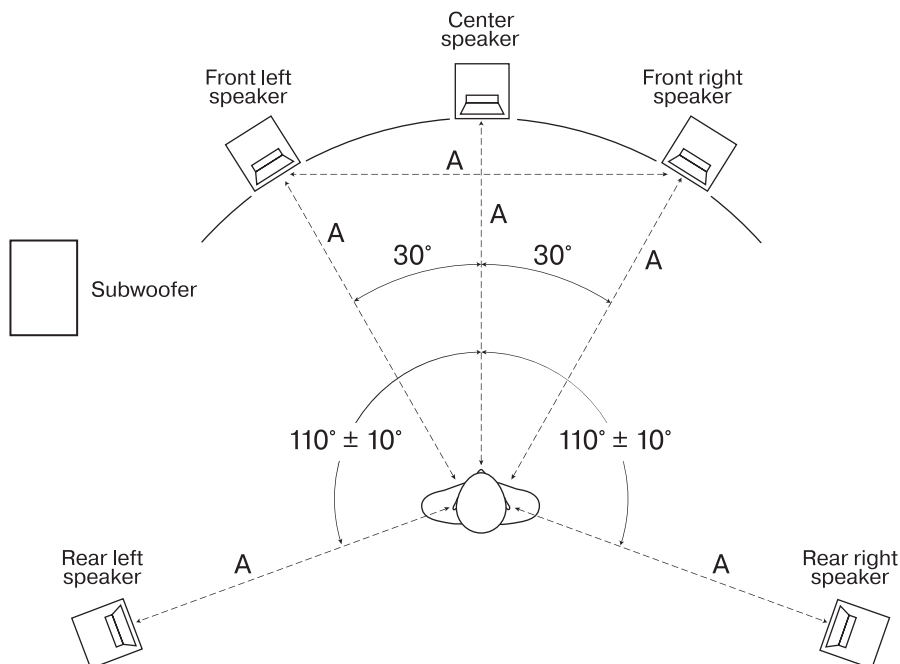


Fig. 4. Placement of the speakers

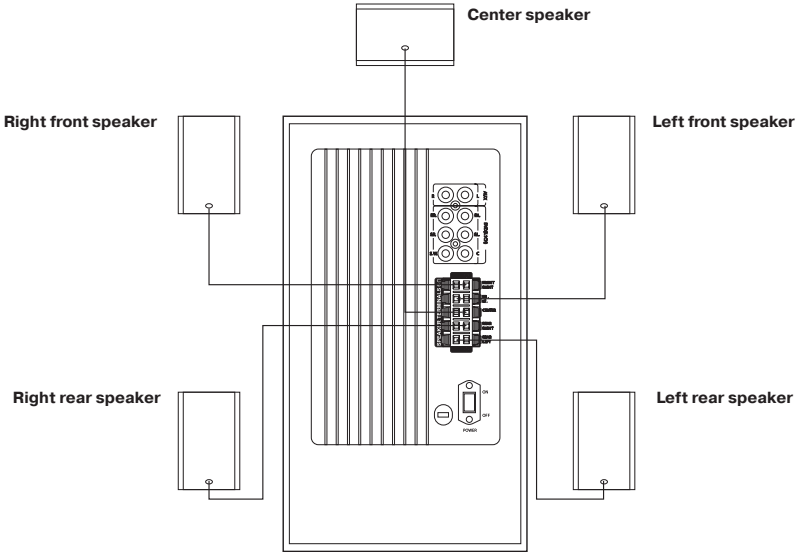


Fig. 5. Speakers connection

Audio devices connection

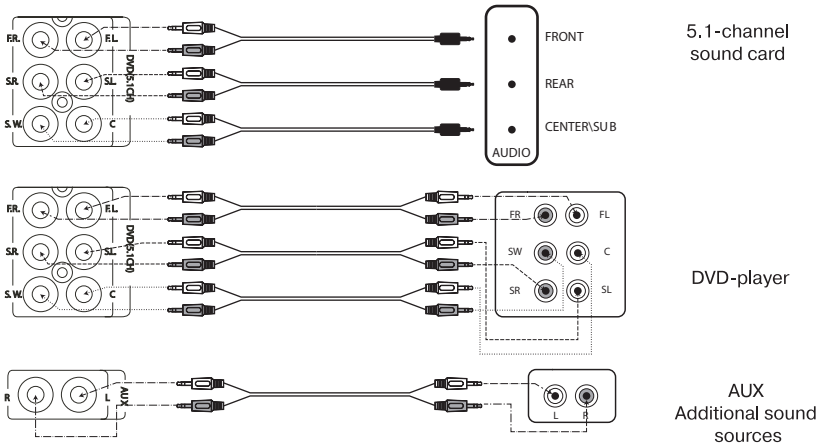


Fig. 6. Sound source installation diagram

Selection of input signal source

AS has 2 inputs: Additional stereo input (AUX) and 5.1 channel input (5.1 CH). Select required sound source with Input key ⑨ on the front panel or with Input button ③ on Remote Control. Press the key on front panel or on Remote Control several times to select required sound source.

Volume control

Master volume control. Press (+) ⑬ button or (-) ⑭ button of M.VOL on Remote Control or use keys Volume+ ⑬ Volume- ⑭ on subwoofer front panel to adjust general volume of the system. Central channel, rear and subwoofer volume control. Correct volume adjustment of rear, central and subwoofer channels ensures sound effect of live music. Adjust the volume of necessary channel on remote control with ⑥ - ⑦ buttons for subwoofer channel; ⑧ - ⑨ – for central channel and ⑩ - ⑪ – for rear channels.

Prologic Surround Sound

This function can be enabled by putting signal on stereo input. Press Sound button ④ on Remote Control or Sound key ⑩ on subwoofer front panel to enable this function. Pro.logic indicator ⑤ on the front panel will flash. Processed stereo signal will come to all five satellites and subwoofer. Press corresponding button again to disable this function.

Preset

Press Preset button ⑤ on Remote Control to return to original sound settings.

Muting operation

If required press Mute button ② on Remote Control. At this time there is no sound output from loudspeakers and Down ⑥ and UP ⑦ indicators on front panel blink. If you need recover normal sound, press ② muting button again or M.Vol+ ⑬/M.Vol- ⑭ buttons on Remote control (Up ⑦ or Down ⑥ keys on front panel). At this time this unit restores sound.

Standby condition

If not using this unit for a period of time, you can press the Standby button ① on Remote Control or On/Standby key ⑧ on front panel and the STANDBY indicator ① on panel will blink. Press the STANDBY button on Remote Control or On/Standby key on front panel once again to make this unit enter the normal operation status. But if you are not using this unit for a long time, it is best to switch off the power supply of the whole unit, and cut down the power supply.

6. TROUBLESHOOTING

Problem	Cause	Solution
No power.	The power plug connected improperly.	Reconnect properly.
	The power switch doesn't turn on.	Turn on the power switch.
No sound.	The volume regulator is at minimum position.	Turn the volume regulator properly.
	The signal source is connected improperly.	Connect properly.
	Wrong choice for signal in selector.	Choose signal source correctly.
	The mute button on the remote control is activated.	Press mute button on the RC or volume control button once.
Subwoofer no sound or volume low.	The signal source improper connection.	Connect the signal source properly.
	The subwoofer volume regulator is at minimum position.	Adjust the subwoofer regulator properly.
Distortion.	Volume is too loud.	Adjust the volume regulator properly.
The remote control malfunctions.	The RC receiving window on the panel is hidden or don't face the receiving window.	Please remove the barrier or let the RC face receiving window.

If none of the above methods can not solve the problem, please seek professional advice at your nearest service center. Never attempt to repair the product yourself.

7. TECHNICAL SPECIFICATIONS

Parameter, measurement unit	Value
Output power (RMS), W: subwoofer front center surround	50 2 × 20 20 2 × 20
Speaker diameters, mm: subwoofer front woofer front tweeter center woofer center tweeter surround full-range	Ø 165 Ø 115 Ø 25 2 × Ø 115 Ø 25 Ø 115
Rated impedance, Ohm	4
Power supply, V/Hz	~220/50
Frequency response, Hz	40 – 22 000
Signal input port	RCA tulip
Separation, dB	> 40
S/N ratio, dB	> 80
Dimensions (one speaker), mm: subwoofer front center surround	200 × 350 × 415 168 × 220 × 300 400 × 150 × 140 150 × 150 × 180
Weight, kg	18.65

Notes:

- **Technical specifications given in this table are supplemental information and cannot give occasion to claims.**
- **Technical specifications and package contents are subject to change without notice due to the improvement of SVEN production.**

5.1 Active Home Theater Speaker System

SVEN®
YOU WANT – WE CAN



Модель: IH00 MT 5.1P

Импортер в России: ООО «СКАНДИТРЕЛ», 111024,
РФ, г. Москва, ул. Авиамоторная, д. 65, стр. 1.

Уполномоченная организация в России:

ООО «РТ-Ф», 105082, г. Москва,

ул. Фридриха Энгельса, д. 75, стр. 5.

Условия гарантийного обслуживания смотрите

в гарантийном талоне или на сайте www.sven.fi.

Гарантийный срок: 12 мес.

Срок службы: 5 лет.

Производитель: «СВЕН ПТЕ. Лимитед», 176

Джу Чиат Роуд, № 02-02, Сингапур, 427447.

Произведено под контролем «Свен Скандинавия

Лимитед», 48310, Финляндия, Котка, Котolahdentие,

15. Сделано в Китае.

Manufacturer: SVEN PTE. LTD, 176 Joo Chiat Road,
№ 02-02, Singapore, 427447. Produced under the control
of Oy Sven Scandinavia Ltd. 15, Kotolahdentie, Kotka,
Finland, 48310. Made in China.

® Registered Trademark of Oy SVEN
Scandinavia Ltd. Finland.

IH00 MT 5.1P