

SVEN[®]
YOU WANT – WE CAN

Home Theatre Speaker System 5.1
with Remote Control

OPERATION MANUAL



IH00 MT 5.1R

www.sven.fi

Operation Manual**IHOO MT 5.1R*****Congratulations on the purchase of Sven speaker system!***

Please read this operation manual before using the unit and retain this operation manual in safe place for future reference.

COPYRIGHT

© 2011. SVEN COMPANY LTD. VERSION 1.0 (V 1.0).

This manual and information contained in it are copyrighted. All rights reserved.

TRADEMARKS

All trademarks are the property of their legal holders.

NOTICE OF RESPONSIBILITY RESTRICTION

Despite the exerted efforts to make this manual more exact, some discrepancies may occur. The information of this manual is given on «as is» terms. The author and the publisher do not bear any liability to a person or an organization for loss or damage which has arisen from the information contained in this manual.

UNPACKING

Unpack the device carefully. Make sure there are no accessories left in the box. Check up the device for damage; if the product was damaged during transportation, address the firm which carried out the delivery; if the product functions incorrectly, address the dealer at once.

ATTENTION!

Do not switch on the speaker system immediately after you bring it into a room from environment with negative temperature! After unpacking, the speaker system should be kept in conditions of room temperature for at least 4 hours.

CONTENTS

1. DESCRIPTION	2
2. SAFETY PRECAUTIONS	2
3. PACKAGE CONTENTS	2
4. SPECIAL FEATURES	2
5. FRONT AND REAR PANEL DESCRIPTION	3
6. REMOTE CONTROL	4
7. OPERATION GUIDE	5
8. SYSTEM INSTALLATION	7
9. TROUBLESHOOTING	8
10. TECHNICAL SPECIFICATIONS	9

Technical support is on www.sven.fi

1. DESCRIPTION

The device is designed for music playback, sounding videogames, movies, etc. You can use it with a computer, CD/DVD player and other audio signal sources.

2. SAFETY PRECAUTIONS

- Do not allow the circuit of wires (including the grounded ones) between the speakers, on the power amplifier or the ground, for it causes damage to the power amplifier output stage.
- Do not put foreign objects inside the holes of the HTSS.
- Protect the HTSS from high humidity, water and dust. Do not locate it in areas with high level of humidity and dust.
- Protect the HTSS from heating: do not locate it near a heat source or expose to direct sunlight.
- Do not use gasoline, alcohol or other solvents when cleaning, since they may damage the paint-coated surface of the HTSS. Clean it with dry soft cloth only.
- Do not open the back cover or do repairs by yourself.



Caution! High voltage inside! To avoid the risk of electric shock do not open or touch elements inside.

3. PACKAGE CONTENTS

- Powered subwoofer – 1 pc
- Satellites – 5 pcs
- Remote control – 1 pc
- Connecting cable (2 RCA – 2 RCA) – 3 pcs
- Connecting cable (2 RCA – mini jack) – 3 pcs
- Acoustic cable – 5 pcs
- Operation manual – 1 pc

4. SPECIAL FEATURES

- Easy connection to various audio devices
- High-quality silk dome tweeters in front and center speakers
- Remote control
- AC-3 ready
- Pro Logic stereo signal processing
- Full magnetic shielding
- Electronic input selector

Operation Manual

IH00 MT 5.1R

5. FRONT AND REAR PANEL DESCRIPTION

5.1 Front panel

- ① Standby mode LED
- ② AUX: auxiliary stereo input LED
- ③ DVD: DVD input LED
- ④ NORMAL: stereo mode LED
- ⑤ PRO. LOGIC: Pro Logic mode LED
- ⑥ DOWN: volume down LED
- ⑦ UP: volume up LED
- ⑧ ON/STANDBY: standby mode button
- ⑨ INPUT: input switch key
- ⑩ SOUND: stereo/Pro Logic switch key
- ⑪ IR receiver window
- ⑫ VOLUME-: volume down button
- ⑬ VOLUME+: volume up button

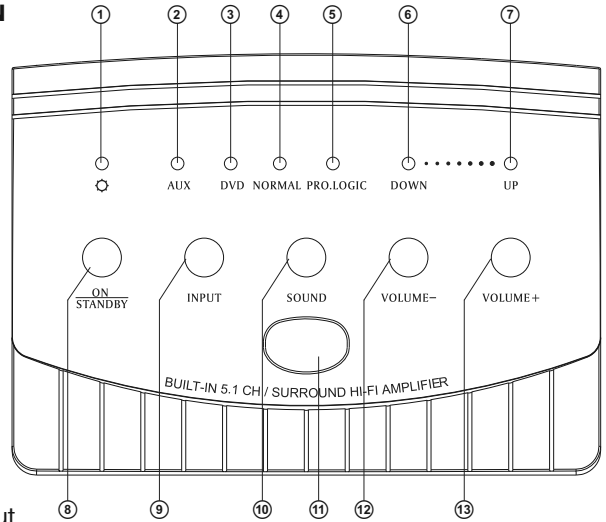


Fig. 1. Front panel

5.2 Rear panel

- ① AUX R/L: stereo source input jack
- ② DVD (5.1CH) F.R./F.L.: front channels input jacks
- ③ DVD (5.1CH) S.R./S.L.: rear channels input jacks
- ④ DVD (5.1CH) S.W./C: subwoofer channel input jacks
- ⑤ DVD (5.1CH) F.R./F.L.: center channel input jack
- ⑥ FRONT/RIGHT: right front output terminal
- ⑦ FR/LT: left front output terminal
- ⑧ CENTER: center speaker output terminal
- ⑨ REAR/RIGHT: right rear output terminal
- ⑩ REAR/LEFT: left rear output terminal
- ⑪ Fuse carrier
- ⑫ ON/OFF: power switch
- ⑬ Power cord

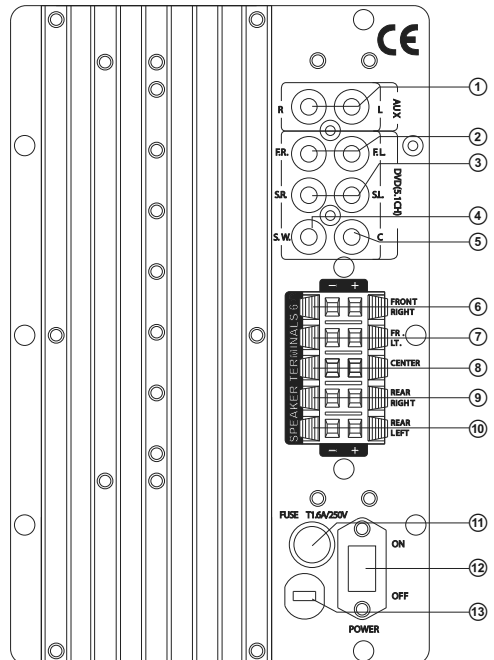


Fig. 2. Rear panel

6. REMOTE CONTROL

- ① STANDBY: standby mode button
- ② MUTE: sound off button
- ③ SOUND: Pro Logic mode switch button
- ④ SW.VOL. -: subwoofer volume down button
- ⑤ C.VOL.-: center channel volume down button
- ⑥ S.VOL.-: rear channels volume down button
- ⑦ M.VOL-: master volume down button
- ⑧ INPUT: source selection button
- ⑨ RESET: return to default settings
- ⑩ SW.VOL. +: subwoofer volume up button
- ⑪ C.VOL.+: center channel volume up button
- ⑫ S.VOL.+: rear channels volume up button
- ⑬ M.VOL+: master volume up button

Note:

- Match the polarity when installing the remote control batteries.
- Operate the remote control within 7 meters from the HTSS at the angle of no more than $\pm 30^\circ$.

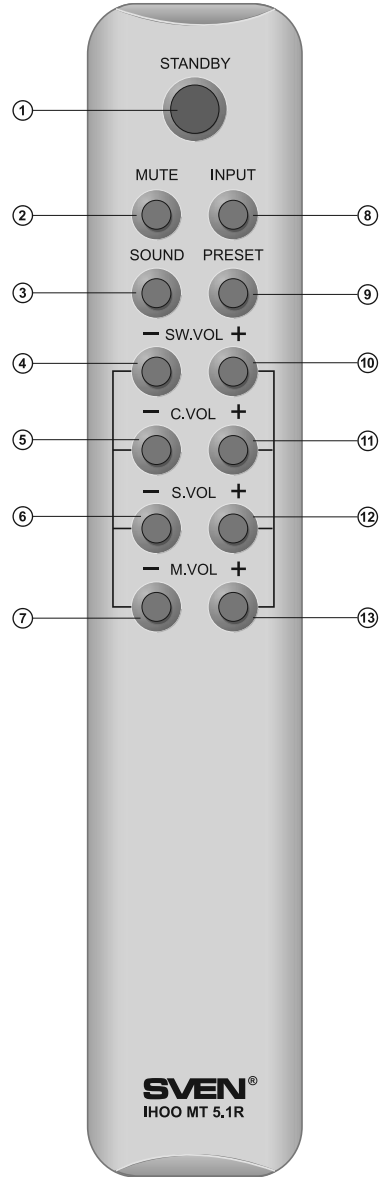


Fig. 3. Remote control

7. SYSTEM CONNECTION GUIDE

WARNING! All components should be switched off before connection. Fasten the terminals tight after connecting them.

7.1 LOCATING

- Place the speakers symmetrically to the listeners at least one meter away.
- As the subwoofer has a bass reflex port on the backside, place the system 20-30 cm away from the wall or any other obstacle.
- Place the HTSS far away from TV sets as picture distortion in supersensitive monitors and TV sets is possible.

7.2 SOUND SOURCE CONNECTION

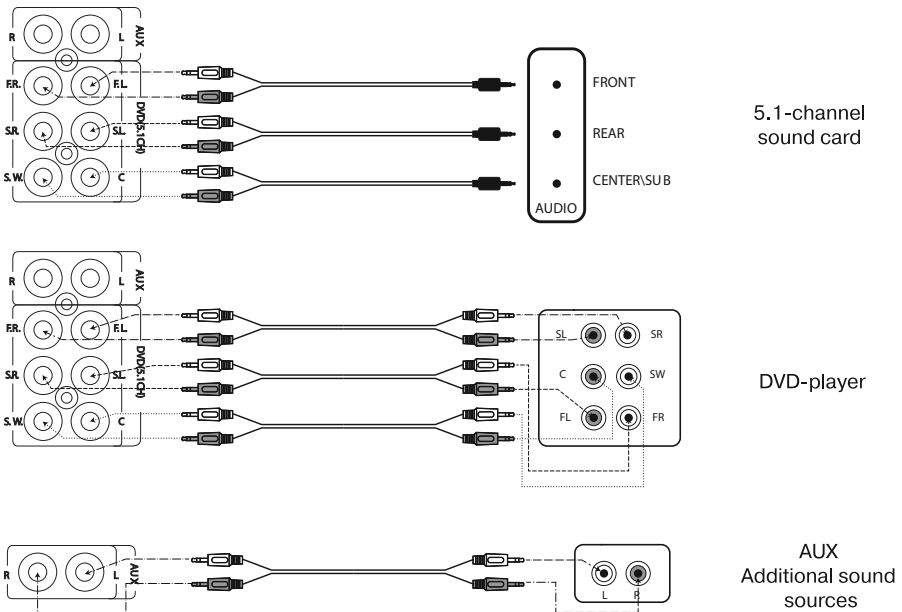


Fig.4. Sound source installation diagram

7.3 SPEAKERS CONNECTION

- Don't connect the audio cable ends.
- Always match the polarity.
- For better wire contact with terminals or clips, strip about 10 mm of the cable's insulation and twist it.

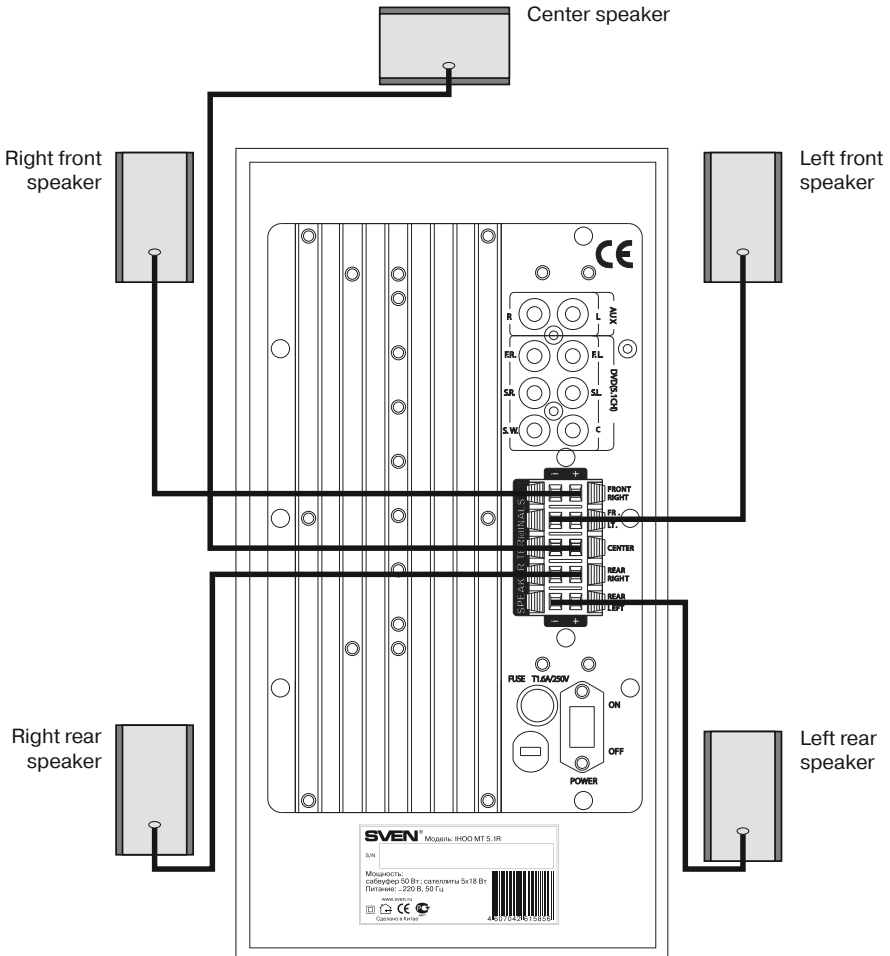


Fig. 5. Speakers connection

8. SYSTEM OPERATION

Power on and off

Insert the power cord plug into the mains socket and switch on the system with button ⑫ (ON position) on the subwoofer rear panel. In a few seconds the LED on the front panel will blink. Press the standby button ① on the remote control or On/Standby ① button on the subwoofer front panel to switch on the system.

Source selection

The HTSS has 2 inputs: the auxiliary stereo input (AUX) and the 5.1 channel input (5.1 CH). Select the required sound source with the Input button ⑨ on the front panel or with the Input button ⑧ on the remote control. Press the button several times until the necessary LED lights up.

Volume control

Correct sound adjustment provides the live music effect. To adjust the front channels volume and master volume, press the M.VOL ⑬ (+) or ⑦ (-) button on the remote control or the Volume+ or Volume- (⑬ and ⑫) buttons on the subwoofer control panel. To adjust the center channel volume, use the remote control buttons ⑪ and ⑤, the subwoofer volume - ⑩ and ④, the rear channels volume - ⑫ and ⑥.

Pro Logic Surround Sound

This function can be enabled if the stereo input is selected. Press the Sound button ③ on the remote control or the sound key ⑩ on the subwoofer front panel to enable it. The Pro Logic LED ⑤ on the front panel will light up. The processed stereo signal will be sent to all the five satellites and the subwoofer. Press the corresponding button again to disable this function.

Reset

Press the reset button ⑨ on the remote control to return to default settings.

Muting

To turn the sound off, press the Mute button ② on the remote control. The Down ⑥ and UP ⑦ indicators will start blinking on the front panel. To turn the sound on, press the Mute button ② or M.Vol+ ⑬/M.Vol- ⑦ buttons on the remote control or Up ⑦ /Down ⑥ buttons on the front panel.

Standby mode

The Standby feature is designed to quickly switch on the system and save power consumption. If you press the On/Standby ① button on the front panel or the Standby ① button on the remote control, the LED ① will start blinking, indicating that the HTSS is in the standby mode. Press one of these buttons again, and the LED will light up and the system will return to the operation mode.

9. TROUBLE SHOOTING

Problem	Cause	Solution
The HTSS doesn't turn on.	The power plug isn't connected to the mains outlet.	Check the connection.
	The power switch is off.	Turn on the Power switch on the subwoofer rear panel.
No sound.	The volume is set to its minimum value.	Adjust the volume.
	The audio source is improperly connected.	Connect the audio source according to Fig. 5.
	The wrong input is selected.	Select the right input.
	The Mute button is on.	Press the Mute button again or any volume control button.
The sound in the speakers is too quiet.	The audio source is improperly connected.	Connect the audio source according to Fig. 5.
	The volume is set to its minimum value.	Adjust the volume.
Sound distortion.	Large amplitude of the input signal.	Turn down the source volume and the HTSS volume.
The remote control doesn't work.	The IR signal doesn't reach the receiver window on the subwoofer.	Place the remote control IR sensor opposite the subwoofer receiver window.
	The remote control batteries are discharged.	Replace the batteries.

If none of the above methods can solve the problem, please seek professional advice at your nearest service center. Never attempt to repair the product yourself.

10. TECHNICAL SPECIFICATIONS

Parameter, measurement unit	Value
Output power, W (RMS) subwoofer front center surround	50 2 × 18 18 2 × 18
Speaker unit, mm subwoofer front tweeter front woofer center woofer center tweeter surround	Ø 133 Ø 100 Ø 25 2 × Ø 100 Ø 25 Ø 100
Rated impedance, Ohm	4
Power supply, V/Hz	~220/50
Frequency response, Hz	40 – 20 000
Signal input port	RCA jack
Separation, dB	> 40
S/N ratio, dB	> 80
Dimensions, mm subwoofer front center surround	200 × 360 × 420 168 × 220 × 300 400 × 150 × 140 150 × 150 × 180
Weight, kg	25

Notes:

- **Technical specifications given in this table are supplemental information and cannot give occasion to claims.**
- **Technical specifications are subject to change without notice due to improvement of SVEN production.**

Home Theatre Speaker System 5.1 with Remote Control

SVEN®
YOU WANT – WE CAN



Модель: **IHOO MT 5.1R**

Импортер в России: ООО «СКАНДИТРЕЛ»,
111024, РФ, г. Москва,

ул. Авиамоторная, д. 65, стр. 1.

Уполномоченная организация в России:

ООО «РТ-Ф», 105082, г. Москва,

ул. Фридриха Энгельса, д. 75, стр. 5.

Условия гарантийного обслуживания смотрите в
гарантийном талоне или на сайте www.sven.fi

Гарантийный срок: 12 мес.

Срок службы: 5 лет.

Произведено под контролем «Свен Скандинавия
Лимитед», 48310, Финляндия, Котка,
Котolahdentie, 15. Сделано в Китае.

Модель: **IHOO MT 5.1R**

Постачальник/імпортер в Україні:

ТОВ «СВЕН Центр», 08400, Київська область,

м. Переяслав-Хмельницький, вул. Героїв Дніпра, 31.

Призначення, споживчі властивості та відомості про
безпеку товару див. у керівництві з експлуатації.

Умови гарантійного обслуговування дивіться
в гарантійному талоні або на сайті www.sven.fi

Гарантийний термін: 12 міс.

Строк служби: 5 років.

Товар сертифіковано/має гігієнічний висновок.

Шкідливих речовин не містить.

Зберігати в сухому місці.

Виготовлено під контролем «Свен Скандинавія

Лімітед», 48310, Финляндия, Котка, Котolahdentie, 15.

Зроблено в Китаї.

Produced under the control of Oy Sven Scandinavia Ltd.

15, Kotolahdentie, KOTKA, Finland, 48310.

Made in China.

® Registered Trademark of Oy SVEN
Scandinavia Ltd. Finland.

IHOO MT 5.1R