

SVEN[®]
YOU WANT – WE CAN

5.1 Home Theatre Speaker System

OPERATION MANUAL



HT-500

www.sven.fi

Congratulations on the purchase of Sven speaker system!

Please read this operation manual before using the unit and retain this operation manual in safe place for future reference.

COPYRIGHT

© 2011. SVEN COMPANY LTD. VERSION 1.0 (V 1.0).

This manual and information contained in it are copyrighted. All rights reserved.

TRADEMARKS

All trademarks are the property of their legal holders.

NOTICE OF RESPONSIBILITY RESTRICTION

Despite the exerted efforts to make this manual more exact, some discrepancies may occur. The information of this manual is given on «as is» terms. The author and the publisher do not bear any liability to a person or an organization for loss or damage which has arisen from the information contained in this manual.

UNPACKING

Unpack the device carefully. Make sure there are no accessories left in the box. Check up the device for damage; if the product was damaged during transportation, address the firm which carried out the delivery; if the product functions incorrectly, address the dealer at once.

ATTENTION!

Do not switch on the speaker system immediately after you bring it into a room from environment with negative temperature! After unpacking, the speaker system should be kept in conditions of room temperature for at least 4 hours.

CONTENTS

1. INTRODUCTION	2
2. SAFETY PRECAUTIONS	2
3. PACKAGE CONTENTS	2
4. SPECIAL FEATURES	2
5. SUBWOOFER FRONT PANEL	3
6. SUBWOOFER REAR PANEL	4
7. REMOTE CONTROL	4
8. SYSTEM CONNECTION	6
9. CONNECTION OF SATELLITES	6
10. TUNER	6
11. OPERATION GUIDE.....	7
12. TROUBLESHOOTING	9
13. TECHNICAL SPECIFICATION	10

Technical support is on www.sven.fi

1. INTRODUCTION

HT-500 speaker system 5.1 (HTSS) is designed for creating a home theater. Due to the multichannel power amplifier built into the subwoofer, the HTSS can be connected to virtually any audio source.

2. SAFETY PRECAUTIONS

- To avoid electric shock, do not open the HTSS and do not perform repairs by yourself.
- Do not allow the circuit of wires (including the grounded ones) between the speakers, on the power amplifier or the ground, for it causes damage to the power amplifier output stage.
- Do not put foreign objects inside the holes of the HTSS. Make sure that needles, hair pins, coins, insects etc. do not get inside.
- Protect the HTSS from high humidity, water and dust. Do not locate it in areas with high level of humidity and dust.
- Protect the HTSS from heating: do not locate it near a heat source or expose to direct sunlight.
- Do not use gasoline, alcohol or other solvents when cleaning, since they may damage the paint-coated surface of the HTSS. Clean it with dry soft cloth only.
- If the HTSS does not operate, unplug it and address your dealer.



Caution! High voltage inside! To avoid the risk of electric shock do not open or touch elements inside.

3. PACKAGE CONTENTS

- Subwoofer with built-in amplifier — 1 pc
- Front channel speakers — 2 pcs
- Center channel speaker — 1 pc
- Rear channel speakers — 2 pcs
- Remote control — 1 pc
- AAA remote control battery— 2 pcs
- AM/FM antenna — 1 set
- RCA to RCA stereocable — 2 pcs
- RCA to RCA coaxial cable — 1 pc
- RCA to mini-jack cable — 1 pc
- Speaker cable — 30 meters
- User's manual — 1 pc
- Warranty card — 1 pc

4. SPECIAL FEATURES

- Easy connection to various audio devices
- DD5.1/DTS/DPLII decoders
- FM/AM tuner
- Powerful multichannel amplifier
- Hi-Fi satellites
- 3 digital inputs
- 3 analog stereo inputs
- Remote control

5. SUBWOOFER FRONT PANEL

- ① STANDBY: standby mode LED
- ② OPTICAL: optical input LED
- ③ COAX. 1: 1st coaxial input LED
- ④ COAX. 2: 2nd coaxial input LED
- ⑤ CD: CD player stereo input LED
- ⑥ VCR: video player stereo input LED
- ⑦ TV: TV stereo input LED
- ⑧ INPUT: input selection
- ⑨ LEFT: left front channel LED
- ⑩ MODE: mode selection
- ⑪ RL: left rear channel LED
- ⑫ SENSOR: remote sensor
- ⑬ DOLBY: DOLBY DIGITAL LED
- ⑭ DTS: DTS LED
- ⑮ PCM: PCM LED
- ⑯ POWER: standby mode on/off
- ⑰ STEREO: stereo mode LED
- ⑱ PL II MOVIE: DOLBY PL II MOVIE mode LED
- ⑲ PL II MUSIC: DOLBY PL II MUSIC mode LED
- ⑳ SW: subwoofer channel LED
- ㉑ VOL+: volume up
- ㉒ RIGHT: right front channel LED
- ㉓ VOL-: volume down
- ㉔ RR: right rear channel LED
- ㉕ CENTER: center channel LED
- ㉖ LCD Display

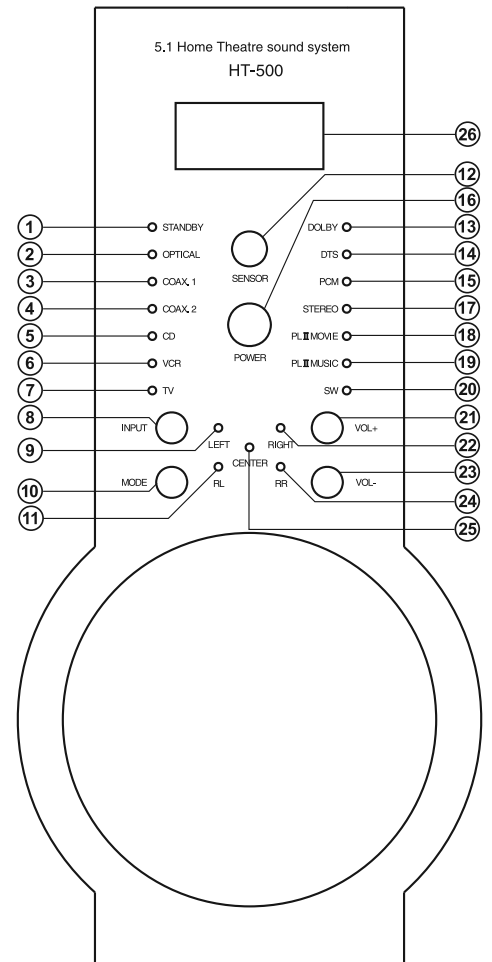


Fig. 1. Front panel

6. SUBWOOFER REAR PANEL

- ① COAX1: 1st coaxial input jack
- ② OPTICAL: optical input jack
- ③ COAX2: 2nd coaxial input jack
- ④ FM ANT: FM antenna input jack
- ⑤ FUSE: fuse
- ⑥ POWER ON/OFF: power switch
- ⑦ AUDIO INPUT TV: TV input jack
- ⑧ AUDIO INPUT VCR: VCR input jack
- ⑨ AUDIO INPUT CD: CD input jack
- ⑩ AM ANT: AM antenna input
- ⑪ SPEAKER OUTPUT: output jacks for speakers connection:
- FR: right front channel output
- FL: left front channel output
- C: center channel output
- RL: left rear channel output
- RR: right rear channel output
- ⑫ Power cord

7. REMOTE CONTROL

- ① STANDBY: standby mode selection
- ② FL+: left front channel volume up button
- ③ FL-: left front channel volume down button
- ④ RL+: left rear channel volume up button
- ⑤ RL-: left rear channel volume down button
- ⑥ R-DLY-: rear channel delay time reduce button
- ⑦ OPT: optical input selection
- ⑧ DR: dynamic range adjustment
- ⑨ LISTEN: mode selection (2.1CH/ 5.1CH/Stereo (2.0)/PLII MUSIC/PLII MOVIE)
- ⑩ VOL-: master volume down button
- ⑪ DOWN: tuning frequency down button
- ⑫ TUN: tuner switch-on
- ⑬ AM/FM: band selection button
- ⑭ BASS -: bass level down
- ⑮ TREBLE-: treble level down
- ⑯ C+: center channel volume up button
- ⑰ FR+: right front channel volume up button
- ⑱ C-: center channel volume down button
- ⑲ FR-: right front channel volume down button
- ⑳ SW+: subwoofer channel volume up button
- ㉑ RR+: right rear channel volume up button
- ㉒ SW-: subwoofer channel volume down button

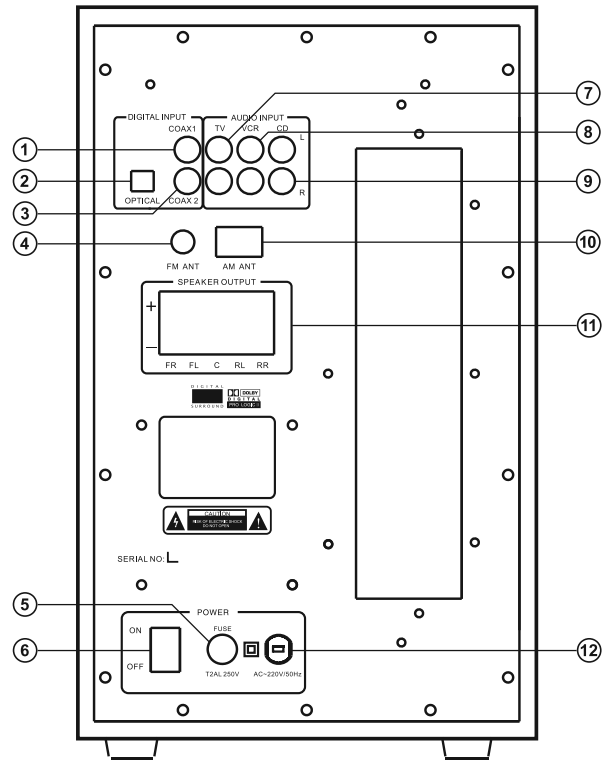


Fig. 2. Rear panel

- ⑳ RR-: right rear channel volume down button
- ㉑ C-DLY+: center channel delay time increase button
- ㉒ TEST: test signal button for checking system connection and channel balance
- ㉓ R-DLY+: rear channel delay time increase button
- ㉔ C-DLY-: center channel delay time reduce button
- ㉕ COAX: coaxial input selection
- ㉖ LINE: line input selection
- ㉗ VOL+: master volume up button
- ㉘ MUTE: muting
- ㉙ DSP: DSP mode selection
- ㉚ UP: tuning frequency up button
- ㉛ MEMORY: radio frequency memorizing button
- ㉜ CH+: next preset radio channel
- ㉝ CH-: previous preset radio channel
- ㉞ MO/ST: Stereo/Mono FM radio selection
- ㉟ BASS+: bass level up
- ㊱ TREBLE+: treble level up

Remote control battery installation

Before using the remote control, please insert the correct type of batteries into the battery compartment. Use two 1.5 VAAA batteries. Please insert the batteries observing the polarity indicated on the batteries and the RC.

- Remove the cover on the RC rear panel (Fig. 4).
- Insert 2 batteries into the battery compartment observing the polarity marked on the batteries and the RC.
- Replace the battery compartment cover.

Notes:

- **Remove the battery from the remote control if you don't intend to use it for a long time (more than a week).**
- **Store the remote control in a clean dry place.**
- **Use the remote control at an angle not more than 30° at a distance not more than 7 meters.**

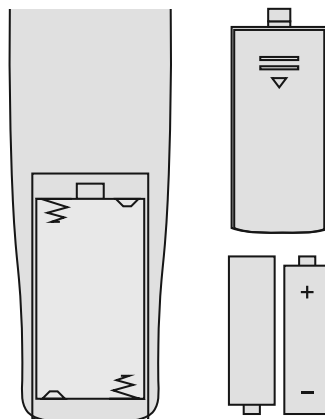


Fig. 4. Batteries installation

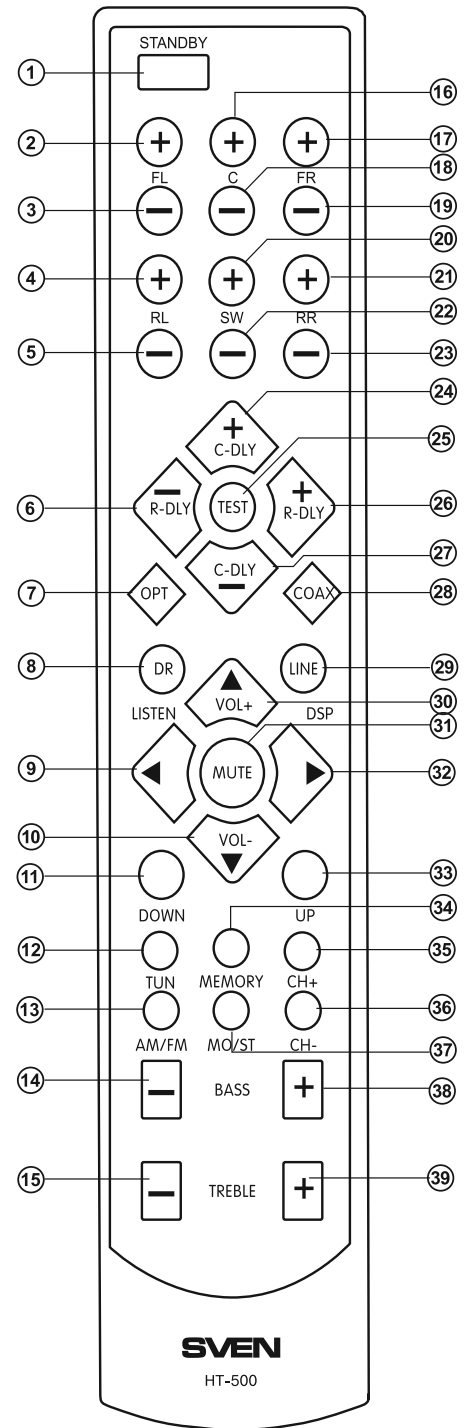


Fig. 3. Remote control

8. SYSTEM CONNECTION

Warning! Before connecting audio sources, unplug the HTSS and the devices you're going to connect.

Connection of the sound source

- For sound source connection, plug RCA (tulip) cables into the speaker system jacks.
- Make sure the connection between the HTSS audio inputs and audio source outputs is correct.

9. CONNECTION OF SATELLITES

Cut the included speaker cable into 5 pieces according to the distance between the subwoofer and the front, center and rear channel satellites. Equal length of cables for front left and right channels connection, as well as for rear left and right channels connection, is recommended. Make the connections according to the scheme in Fig. 6.

Notes:

- **Avoid contact between speaker cable connectors.**
- **Check if the speaker cable is properly connected to the output jacks of the HTSS amplifier and the input jacks of the satellite speakers.**
- **Make sure you match the speaker cables correctly according to their polarity: the red jack of the subwoofer should be connected to the red jack of the satellite; the black jack of the subwoofer – to the black jack of the satellite.**

10. TUNER

- Turn the HTSS on by shifting the POWER switch ⑥ on the subwoofer rear panel into ON position.
- Press TUN button ⑫ on the remote control to turn the tuner on.
- Press AM/FM button ⑬ on the remote control to select the band as desired.
- Tune to the desired station using the UP ⑬ and DOWN ⑪ buttons on the remote control.

Notes:

- **If the FM band is chosen, the ST (stereo) LED will light up on the subwoofer front panel.**
- **To improve noisy, weak-signal stereo broadcasts, switch to mono mode using the MO/ST button on the remote control. The ST (stereo) LED will go off.**

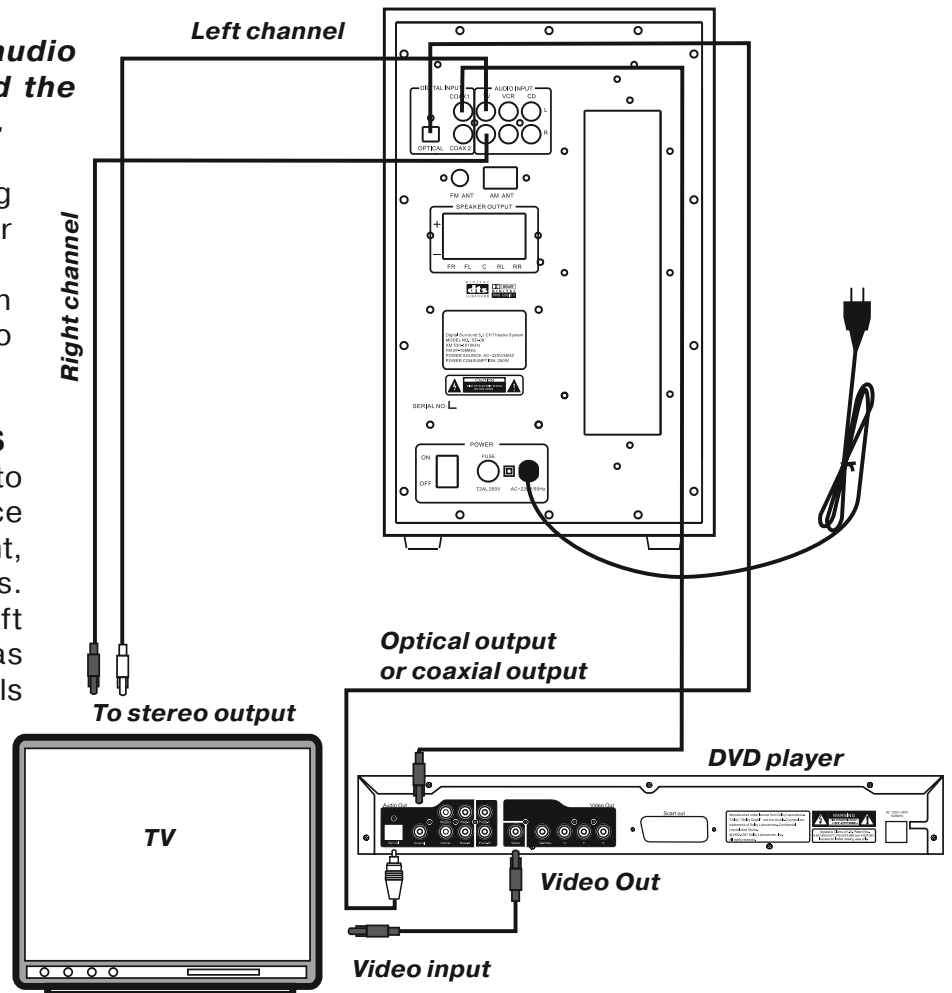


Fig. 5. Audio source connection diagram

Preset tuning:

To memorize the selected radio frequency, do the following:

- Press the MEMORY button ③④ on the remote control.
- Press the CH + ③⑤ or CH- ③⑥ button to select the number for the radio channel to be memorized.
- Press the MEMORY button again to enter the information into the memory.
- To select one of the preset channels, use CH + ③⑤ and CH- ③⑥ buttons.

Note: You can preset 20 stations in AM band and 20 stations in FM band.

Fine-tuning:

AM: connect the loop antenna to AM jack on the subwoofer rear panel, rotate it round its axis to achieve the best signal reception.

FM: stretch and extend the wire antenna totally and connect it to the FM jack on the subwoofer rear panel.

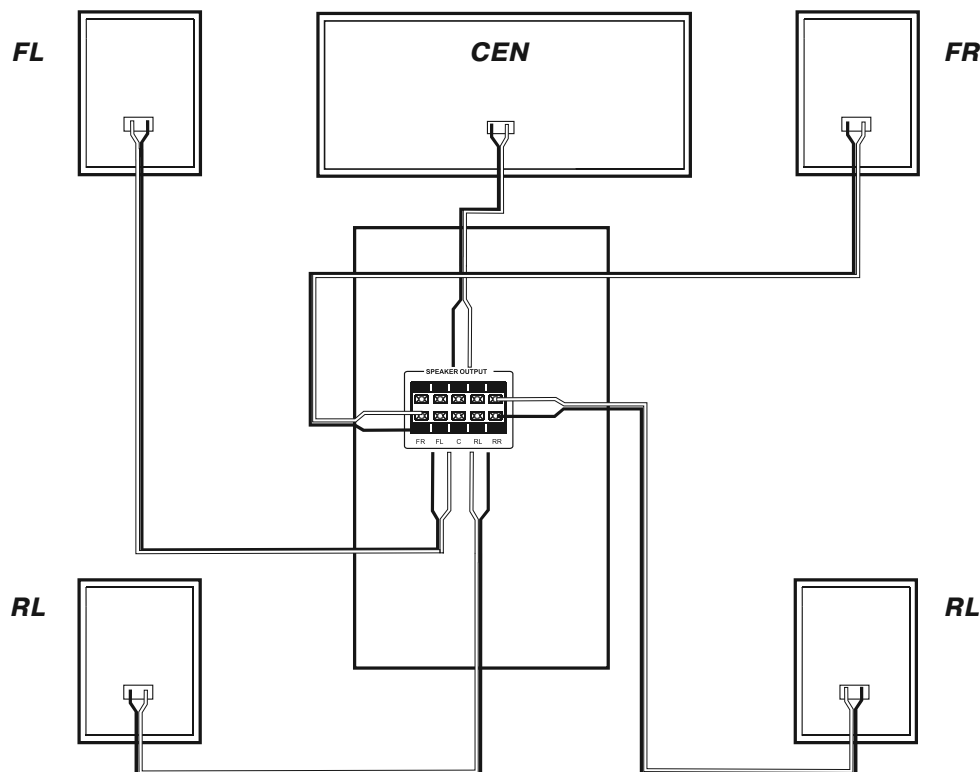


Fig. 6. Speakers connection diagram

11. OPERATION GUIDE**Switching On/Off**

- Turn on the power switch ⑥ on the subwoofer rear panel by shifting it into ON position. Standby LED ① will light up on the subwoofer front panel.
- To turn the HTSS to operation mode, press the POWER button ⑩ on the subwoofer front panel or the STANDBY button on the remote control. The standby LED ① will go off, and the system will switch on at default volume (25 dB).

- Switch off the system in the reverse order: press the POWER button ⑩ on the subwoofer front panel or the STANDBY button on the remote control. The unit will switch to standby mode and the Standby LED ① will light up. Then shift the power switch on the subwoofer rear panel into OFF position.

Signal Source Selection

The HTSS has 6 audio inputs for signal source connection: 3 digital inputs (OPTICAL ②, COAXIAL1 ① and COAXIAL2 ③) and 3 analog stereo inputs (CD ⑨, VCR ⑧ and TV ⑦).

- To select the necessary input, press the INPUT button on the subwoofer front panel until you see the name of the input you need on the LCD display.
- You can also use the remote control. Press the corresponding button: LINE ⑲ (switching between line inputs), COAX ⑳ (switching between coaxial inputs), OPT ⑦ (selection of optical input).

Volume Adjustment

Press the VOL+ ㉑ and VOL- ㉒ buttons on the subwoofer front panel or the VOL+ ㉓ and VOL- ㉔ buttons on the remote control to adjust master volume. Volume level will show on the LCD display: from 80 (minimum) to 0 (maximum).

Mode Selection

- Multichannel Dolby Digital (DD) or DTS input signals can be played in 5.1 (multichannel) and 2.0 (stereo) modes.
- Stereo Dolby-coded input signals can be played in stereo and Dolby Pro Logic II (DPL II) modes.
- PCM signals can be reproduced in stereo, DPL II and DSP modes.

Modes are selected by pressing the MODE button ⑩ (LISTEN button ⑨ on the remote control). The name of the selected mode shows on the LCD display.

Muting

- Press the MUTE button ㉕ on the remote control to quickly mute the volume.
- To cancel muting, press the MUTE button again.

Channel Volume Adjustment

Volume levels of all the channels can be individually trimmed within ± 10 dB of master volume. Buttons used:

- FL+ ② and FL- ③ (left front channel)
- FR+ ⑰ and FR- ⑱ (right front channel)
- CC+ ⑯ and C- ⑲ (center channel)
- RL+ ④ and RL- ⑤ (left rear channel)
- RR+ ㉑ and RR- ㉒ (right rear channel)

To estimate the volume of each speaker, use Test Signal feature (see the description below).

Sound Effects

Press the DSP button on the remote control to change sound effects.

H1, H2, H3, H4, and H5 will appear consecutively on the LCD display.

- H1 represents Live effect
- H2 represents Church effect
- H3 represents Hall effect
- H4 represents Stadium effect
- H5 represents Theatre effect

Note. Sound effects are only available for PCM signal.

Adjustment of Channel Signal Delay Time for Center and Rear Channels:

Usually, front, center and rear speakers are located at different distances from the listener. Therefore, to preserve integrity of voluminous soundstage, the signal from the closer speakers should be

reproduced with some delay in relation to the signal from the farther speakers.

To adjust the channel signal delay time, use the following remote control buttons:

- C-DLY+ (24) and C-DLY- (27) (to increase or reduce the center channel signal delay time)
- R-DLY+ (26) and R-DLY- (25) (to increase or reduce the rear channels signal delay time)

Delay time in milliseconds shows on the LCD display.

Note. For DD5.1 signal, the recommended center channel delay time is 0–5 ms, rear channels delay time is 0–15ms; for PCM signal, rear channels delay time is 15–30 ms.

Test Signal

- Test Signal feature allows to check if the speakers are connected correctly and find out the volume level of each speaker.
- Signal testing is switched on by pressing the TEST button (25) on the remote control, and a special noise signal will successively sound in each speaker. To cancel the test, press the TEST button (25) again.

Dynamic Range Adjustment

- Dynamic range level is the ratio of the peak signals to the softest signals audible. The wider the dynamic range is (the more its value in % is), the louder the peak signals sound in a music piece or a movie soundtrack.
- It's recommended that at night the dynamic range of the audio signal (its value in %) should be reduced. Dynamic range is adjusted by pressing the DR button on the remote control. The LCD display will show the range value: 0%, 25%, 50%, 75% or 100%.

12. TROUBLESHOOTING

You may trouble shoot the following faults according to the solutions. Please consult your dealer should you encounter other faults.

Problem	Cause	Solution
No reaction when powered on.	Power is not plug on.	Plug on the power.
	Bad HTSS socket contact.	Change another power socket.
The display is OK, but there is no sound.	Audio source is not connected.	Check all connections.
	The power amp is off.	Turn on the power amp.
	The audio source is faulty.	Check if the signal source is OK.
	The volume is turned to minimum.	Turn up the volume.
Display OK, but no Dolby Digital or DTS decoding.	Muting is on.	Turn on the sound by pressing MUTE button.
	The audio source is not connected to the digital input.	Check the signal source connection.
	The coaxial cable impedance is not 75 Ohm.	Use a standard coaxial cable.
	Using a DVD without Dolby Digital or DTS encoding.	Use a Dolby Digital & DTS encoded DVD.
	Analog signal is sent to digital input.	Check the signal source connection.

The power amp is on, but no sound in rear speakers.	Wrong mode selected.	Select the correct mode.
	The source played is not Dolby surround encoded.	Use a Dolby surround encoded signal source.
Unwanted noise in the speakers.	Bad connection between the speakers and the amp.	Check the speakers connection to the subwoofer.
	Unwanted noise in the audio source.	Change the signal source.
Remote control is not working.	Discharged or wrongly inserted batteries.	Replace the batteries with new ones or check their polarity.
	Remote control is placed too far from the subwoofer.	Place the remote control nearer to the subwoofer.
	The angle between the remote control and the subwoofer is too big.	Minimize the angle between the remote control and the subwoofer.

13. TECHNICAL SPECIFICATION

Parameter, measurement unit	Value
Power amplifier	
Output power, W (RMS)	200
subwoofer	60
satellites	28 × 5
Frequency range, Hz	
subwoofer	40 – 120
satellites	120 – 20 000
S/N (A -Weight), dB	65
Input sensitivity, mV	600 ± 50
THD (1 kHz, 1 W), %	0.5
L/R separation (1 kHz), dB	< 35
L/R balance (Stereo), dB	± 2
Tuner	
Radio frequency range	
AM, KHz (step 10 kHz)	522 – 1611
FM, MHz (step 50 kHz)	87.0 – 108.05
AM radio sensitivity, mV/m	1.5 ÷ 6

Parameter, measurement unit	Value
FM radio sensitivity, dB	20
Radio S/N (A-Weight)	
AM, dB	< 30
FM, dB	< 40
Supply voltage, V/Hz	AC 220/50
Power consumption, W	250
Loud speakers	
Speaker driver, mm (inch)	
subwoofer	∅ 200 (8")
satellites	
front	
woofer	∅ 100 (4")
tweeter	∅ 25 (1"), soft dome
center	
2 × Woofer	∅ 100 (4")
tweeter	∅ 25 (1"), soft dome
rear	
woofer	∅ 100 (4")
tweeter	∅ 19 (3/4"), soft dome
Magnetic shielding	Yes, center satellite
Dimensions, mm	
subwoofer	200 × 320 × 370
satellites	
Front/Rear	150 × 240 × 170
Center	370 × 150 × 170
Weight, kg	~20.7

Notes:

- **Technical specifications given in this table are supplemental information and cannot give occasion to claims.**
- **Technical specifications are subject to change without notice due to improvement of SVEN production.**

5.1 Home Theatre Speaker System

SVEN®
YOU WANT – WE CAN



Модель: HT-500

Импортер в России: ООО «СКАНДИТРЕЛ», 111024, РФ,
г. Москва, ул. Авиамоторная, д. 65, стр. 1

Уполномоченная организация в России: ООО «РТ-Ф», 105082,
Москва, ул. Фридриха Энгельса, д. 75, стр. 5.

Условия гарантийного обслуживания смотрите в гарантийном
талоне или на сайте www.sven.fi.

Гарантийный срок: 12 мес.

Срок службы: 5 лет.

Произведено под контролем «Свен Скандинавия Лимитед»,
48310, Финляндия, Котка, Котолахдентие, 15.

Сделано в Китае.

Модель: HT-500

Постачальник/імпортер в Україні:

ТОВ «СВЕН Центр», 08400, Київська область,
м. Переяслав-Хмельницький, вул. Героїв Дніпра, 31.

Призначення, споживчі властивості та відомості про безпеку
товару див. у керівництві з експлуатації.

Умови гарантійного обслуговування дивіться в гарантійному
талоні або на сайті www.sven.fi

Гарантійний термін: 12 міс.

Строк служби: 5 років.

Товар сертифіковано/має гігієнічний висновок.

Шкідливих речовин не містить.

Зберігати в сухому місці.

Виготовлено під контролем «Свен Скандинавія
Лімітед», 48310, Финляндия, Котка, Котолахдентіе, 15.

Зроблено в Китаї.

Produced under the control of Oy Sven
Scandinavia Ltd. 15, Kotolahdentie, KOTKA, Finland, 48310.
Made in China.

® Registered Trademark of Oy SVEN
Scandinavia Ltd. Finland.

HT-500