

**SVEN**<sup>®</sup>  
YOU WANT – WE CAN

5.1 Active Home Theater  
Speaker System

## OPERATION MANUAL



**HT-435R**

[www.sven.fi](http://www.sven.fi)

***Congratulations on your purchase of the Sven speaker system!***

**COPYRIGHT**

© 2014. SVEN PTE. LTD. Version 1.0 (V 1.0).

This Manual and information contained in it are copyrighted. All rights reserved.

**TRADEMARKS**

All trademarks are the property of their legal holders.

**NOTICE OF RESPONSIBILITY RESTRICTION**

Despite the exerted efforts to make this Manual more exact, some discrepancies may occur. The information in this Manual is given on «as is» terms. The author and the publisher do not bear any liability to a person or an organization for loss or damage which has arisen from the information contained in this Manual.

**CONTENTS**

- 1. BUYER RECOMMENDATIONS ..... 1**
- 2. PACKAGE CONTENTS ..... 2**
- 3. SAFETY PRECAUTIONS ..... 2**
- 4. TECHNICAL DESCRIPTION ..... 2**
- 5. PREPARATION AND OPERATION ..... 4**
- 6. TROUBLESHOOTING ..... 7**
- 7. TECHNICAL SPECIFICATIONS ..... 7**

**1. BUYER RECOMMENDATIONS**

- Unpack the device carefully. Make sure there are no accessories left in the box. Check up the device for damage; if the product was damaged during transportation, address the firm which carried out the delivery; if the product functions incorrectly, address the dealer at once.
- Check up the package contents and availability of the warranty card. Make sure the warranty card has a shop stamp, a legible signature or the seller’s stamp and purchase date, and the number of the wall mount corresponds to that in the warranty card. Remember: in case of warranty card loss or discrepancy of numbers you forfeit the right for warranty repairs.
- Do not switch on the speaker system immediately after you bring it into a room from environment with negative temperature! After unpacking, the speaker system should be kept in conditions of room temperature for at least 4 hours.
- Before installing and using the speaker system, read this Manual carefully and keep it for future reference.

*Technical support is on [www.sven.fi](http://www.sven.fi).*

### 2. PACKAGE CONTENTS

- Subwoofer – 1 pc
- Satellites – 4 pcs
- Remote control (RC) – 1 pc
- RC batteries (AAA type) – 2 pcs
- Signal stereo cable – 3 pcs
- Audio cable – 5 pcs
- Operation manual – 1 pc
- Warranty card – 1 pc

### 3. SAFETY PRECAUTIONS



**Caution! High voltage inside! To avoid the risk of electric shock do not open and touch elements inside.**

- To avoid electric shock, do not open the HTSS and do not perform repairs by yourself. Service and repairs should be performed only by qualified specialists in an authorized service center. The list of authorized service centers is available on [www.sven.fi](http://www.sven.fi)
- Do not allow the circuit of wires (including the grounded ones) between the speakers, on the power amplifier or the ground, for it causes damage to the power amplifier output stage.
- Do not touch the HTSS power cord plug pins for 2 seconds after unplugging it from the mains.
- Do not put foreign objects inside the holes of the HTSS.
- The product shall not be exposed to water dripping or splashing and no objects filled with liquids, such as vases shall be placed on the product.
- Protect the HTSS from heating: do not locate it near heating appliances or expose to direct sunlight.
- Do not place sources of open flame on or near the HTSS.
- Don't place the HTSS in poorly ventilated areas. Leave an air gap of 10 cm or more. When operating the HTSS, do not put any devices on it, do not cover it with cloth or other objects preventing it from cooling.
- HTSS has the device of cutting off connection, easy to operate. If the MAINS plug and coupled apparatus used as the disconnect device, the disconnect device should be convenient to insert and pull out.
- Do not clean the HTSS with chemicals, use dry soft cloth only.

### 4. TECHNICAL DESCRIPTION

HT-435R 5.1 Home Theater Speaker System (HTSS) is designed for creating a home theater. The multi-channel 5.1 amplifier built into the subwoofer enables to connect the HTSS to virtually any audio source.

#### HTSS special features

- Integrated 5.1 amplifier
- Analog stereo input
- Possibility to play stereo through all satellites
- Full-function remote control
- LED indication
- Wall-mountable satellites

**Description of the front panel**

- ① STANDBY: STANDBY LED
  - ② POWER: on/off button
  - ③ IR: IR WINDOW
  - ④ AUX: AUX mode LED
  - ⑤ DVD: DVD mode LED
  - ⑥ VOL-/VOL+: speaker volume LED
  - ⑦ INPUT SELECT: input selector button
- to DVD/AUX-system
- ⑧ 2.1/5.1: mode select button
  - ⑨ VOL-/VOL+: volume control button

**Description of the rear panel of the subwoofer**

- ① AUX(L/R): AUX input connectors
- ② INPUT (5.1CH):
  - FL/FR: front Left/Right channel input connectors
  - CEN: center channel input connector
  - SUB: subwoofer channel input connector
  - SL/SR: surround Left/Right channel input connectors
- ③ OUTPUT (5.1CH):
  - FL/FR: front Left/Right channel output connectors
  - SL/SR: surround Left/Right channel output connectors
  - CEN: center channel output connectors
- ④ Safety fuse
- ⑤ ON/OFF: on/off power switch
- ⑥ Power cord

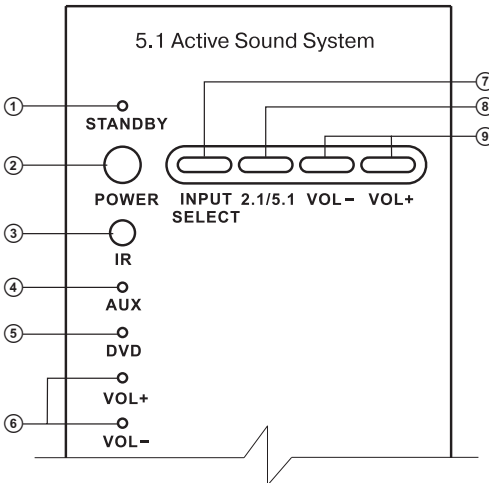


Fig. 1. Front control panel

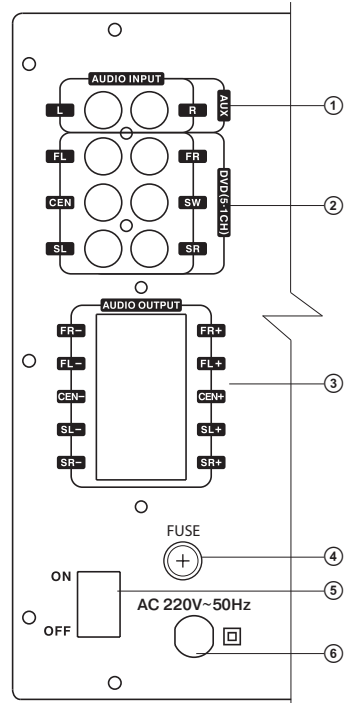


Fig. 2. Rear panel

**Remote control**

- ① POWER: POWER button
- ② RESET: return to default settings
- ③ MUTE: sound off/on button
- ④ INPUT: audio input selection button
- ⑤ 2.1/5.1: 2.1/5.1 mode selection button
- ⑥ TREBLE+/-: treble level control buttons
- ⑦ BASS+/-: bass level control buttons
- ⑧ FRONT +/-: front channel volume control buttons
- ⑨ CENTRE +/-: center channel volume control buttons
- ⑩ REAR +/-: surround speakers channel volume control buttons
- ⑪ SUB +/-: subwoofer channel volume control buttons
- ⑫ VOLUME +/-: master volume control buttons

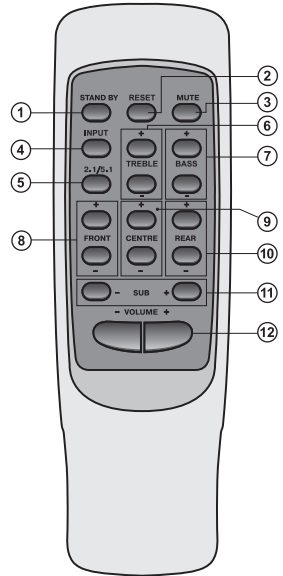


Fig. 3. Remote control

**Remote control battery installation**

- Open the battery compartment on the back of the remote control.
- Insert 2 AAA type batteries (included).
- Close the battery compartment.

**Notes:**

- **Use the remote control at an angle of no more than 30°, no more than 7 meters away.**
- **Direct the RC at the IR receiver display on the subwoofer.**
- **If the remote control does not work, check the battery or replace the discharged battery with a new one.**
- **Remove the battery from the remote control if you don't intend to use it for a long time (more than a week).**

**5. PREPARATION AND OPERATION**

**Speaker placement**

- To achieve optimum sound, it's recommended that you place the speakers according to Fig. 5. The center and front speakers should be located along an imaginary circle with the distance between the listener and the center channel speaker as a radius, and the listener's head as the center. Each of the three speakers should be placed at equal distance from the listener. The front speakers and the listener make up an equilateral triangle. The rear speakers are placed at the same distance from the listener (on the imaginary circle, too) at an angle of nearly 110° to the Listener – Display axis.
- Avoid placing your speakers in the corners and close to walls, as this can lead to unwanted resonance and distortions. If possible, place them at least 20 cm away from walls.
- For more accurate perception, the tweeters should be at the listener's ear level.
- Do not locate the speakers in niches. Such placement can affect the sound badly, especially in the lows.
- The subwoofer emits non-directional sound, therefore it can be located in any place of the room where it sounds the best.

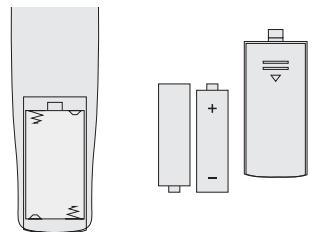


Fig. 4. Battery installation

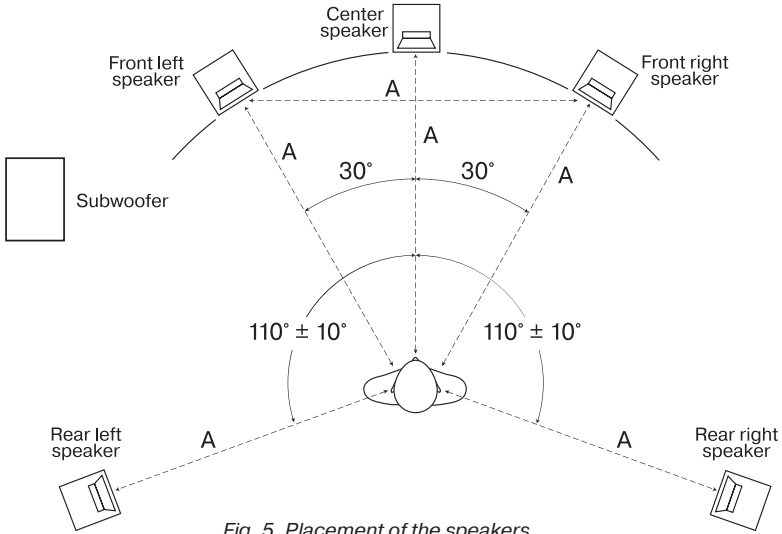


Fig. 5. Placement of the speakers

**Connections illustration**

- To prevent malfunction and/or damage to speakers or other devices, always turn down the volume, and turn off the power on all devices before making any connections.
- Connect the Subwoofer, the Center, the Front and the Surround Speakers (sww Fig. 6).

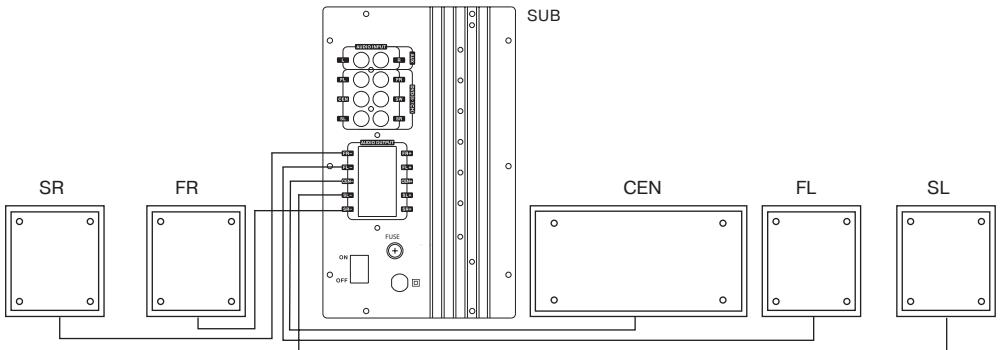


Fig. 6. Connections of the Subwoofer, the Center, the Front and the Surround Speakers

Sound source installation diagram

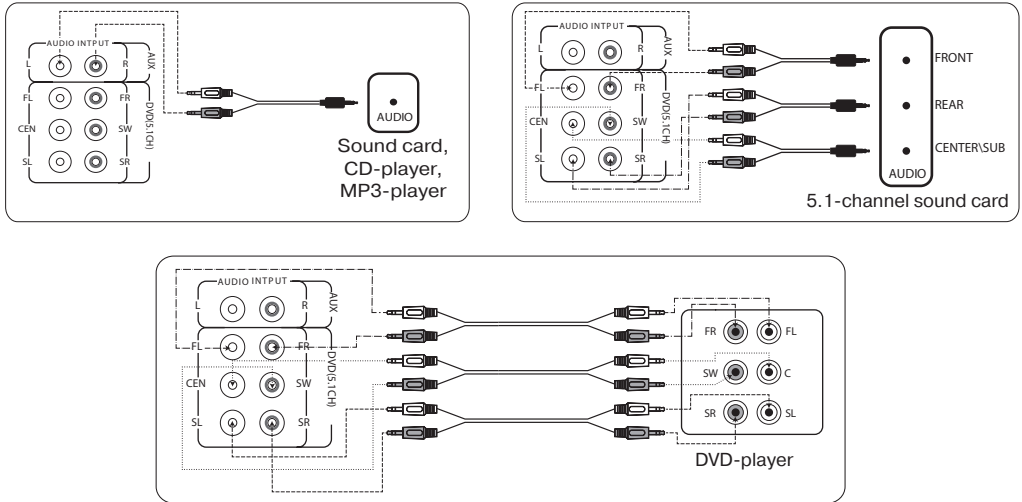


Fig. 7. Sound source installation diagram

Operation

- Switch on the HTTS with POWER switch ⑤ (ON position) on the subwoofer rear panel (Fig. 2). The device will switch on in standby mode. To turn the system to operation mode.
- Press STANDBY button ① on the remote control (Fig. 3) or on the subwoofer front panel (Fig. 1). AUX stereo input is active by default. Choose an input with corresponding remote control buttons or INPUT SELECT ⑦ button on the front panel. At your own discretion with the help of corresponding remote control buttons or on the subwoofer front panel adjust the volume: with buttons VOL (+/-) – the master volume control, with FRONT (+/-) – front channels, CENTER (+/-) – central channel and REAR (+/-) – rear channels volume control.
- RESET button ⑩ for returning to default settings.
- 2.1/5.1 mode button ⑨ is used for playing a stereo signal via AUX stereo input, and the signal is reproduced with all the satellites.

**Note.** If you aren't going to use the system for a long time, mind to turn the POWER switch ⑤ on the subwoofer rear panel to OFF position and unplug the power cable ⑥.

**6. TROUBLESHOOTING**

Problem	Cause	Solution
No power.	The power plug connected improperly.	Reconnect properly.
	The power switch doesn't turn on.	Turn on the power switch.
No sound.	The volume regulator is at minimum position.	Turn the volume regulator properly.
	The signal source is connected improperly.	Connect properly.
	Wrong choice for signal in selector.	Choose signal source correctly.
	The mute button on the remote control is activated.	Press mute button on the RC or volume control button once.
Subwoofer no sound or volume low.	The signal source improper connection.	Connect the signal source properly.
	The subwoofer volume regulator is at minimum position.	Adjust the subwoofer regulator properly.
Distortion.	Volume is too loud.	Adjust the volume regulator properly.
The remote control malfunctions.	The RC receiving window on the panel is hidden or don't face the receiving window.	Please remove the barrier or let the RC face receiving window.

If none of the above methods can not solve the problem, please seek professional advice at your nearest service center. Never attempt to repair the product yourself.

**7. TECHNICAL SPECIFICATIONS**

Parameter, measurement unit	Value
Output power (RMS), W:	110 (35 + 5 × 15)
Speaker diameters, mm: subwoofer front, rear satellites center satellite	∅ 165 full range ∅ 76 full range 2 × ∅ 76
Supply voltage, V/Hz	AC 220/50
Frequency range, Hz: subwoofer satellites	40 – 150 150 – 20 000
Dimensions (one speaker), mm: subwoofer front, rear satellites center satellite	313 × 170 × 313 95 × 110 × 120 95 × 220 × 110
Weight, kg	8.5

**Notes.** The above specifications are only for reference. Technical specifications and package contents are subject to change without notice due to the improvement of SVEN production. Durability – 5 years. Technical support is on [www.sven.fi](http://www.sven.fi).



## 5.1 Active Home Theater Speaker System

**SVEN**®  
YOU WANT – WE CAN



**Модель: HT-435R**

Импортер в России: ООО «СКАНДИТРЕЛ», 111024,  
РФ, г. Москва, ул. Авиамоторная, д. 65, стр. 1.

Уполномоченная организация в России:

ООО «РТ-Ф», 105082, г. Москва,

ул. Фридриха Энгельса, д. 75, стр. 5.

Условия гарантийного обслуживания смотрите  
в гарантийном талоне или на сайте [www.sven.fi](http://www.sven.fi).

Гарантийный срок: 12 мес. Срок службы: 5 лет.

Производитель: «СВЕН ПТЕ. Лимитед», 176

Джу Чиат Роуд, № 02-02, Сингапур, 427447.

Произведено под контролем «Свен Скандинавия  
Лимитед», 48310, Финляндия, Котка, Котolahdentie,  
15. Сделано в Китае.

Manufacturer: SVEN PTE. LTD, 176 Joo Chiat Road,  
№ 02-02, Singapore, 427447. Produced under the control  
of Oy Sven Scandinavia Ltd. 15, Kotolahdentie, Kotka,  
Finland, 48310. Made in China.

® Registered Trademark of Oy SVEN  
Scandinavia Ltd. Finland.

**HT-435R**