

**SVEN**®  
YOU WANT – WE CAN

5.1 Active Home Theater  
Speaker System

## OPERATION MANUAL



**HT-400**

[www.sven.fi](http://www.sven.fi)

Congratulations on the purchase of Sven speaker system!

Please read this Operation Manual before using the unit and retain this Operation Manual in safe place for future reference.

**COPYRIGHT**

© 2014. SVEN PTE. LTD. Version 1.0 (V 1.0).

This Manual and information contained in it are copyrighted. All rights reserved.

**TRADEMARKS**

All trademarks are the property of their legal holders.

**NOTICE OF RESPONSIBILITY RESTRICTION**

Despite the exerted efforts to make this Manual more exact, some discrepancies may occur. The information of this Manual is given on «as is» terms. The author and the publisher do not bear any liability to a person or an organization for loss or damage which has arisen from the information contained in this Manual.

**UNPACKING**

Unpack the device carefully. Make sure there are no accessories left in the box. Check up the device for damage; if the product was damaged during transportation, address the firm which carried out the delivery; if the product functions incorrectly, address the dealer at once.

**ATTENTION!**

Do not switch on the speaker system immediately after you bring it into a room from environment with negative temperature! After unpacking, the speaker system should be kept in conditions of room temperature for at least 4 hours.

**CONTENTS**

|   |          |
|---|----------|
| <b>1. DESCRIPTION</b> .....               | <b>3</b> |
| <b>2. SAFETY PRECAUTIONS</b> .....        | <b>3</b> |
| <b>3. PACKAGE CONTENT</b> .....           | <b>3</b> |
| <b>4. SPECIAL FEATURES</b> .....          | <b>3</b> |
| <b>5. CONTROL SIDE PANEL</b> .....        | <b>4</b> |
| <b>6. REAR PANEL</b> .....                | <b>4</b> |
| <b>7. REMOTE CONTROL</b> .....            | <b>5</b> |
| <b>8. LOCATING</b> .....                  | <b>5</b> |
| <b>9. CONNECTION OF SATELLITES</b> .....  | <b>6</b> |
| <b>10. HTSS OPERATION</b> .....           | <b>8</b> |
| <b>11. TROUBLESHOOTING</b> .....          | <b>8</b> |
| <b>12. TECHNICAL SPECIFICATIONS</b> ..... | <b>9</b> |

*Technical support is on [www.sven.fi](http://www.sven.fi).*

## 1. DESCRIPTION

The device is designed for music playback, sounding videogames, movies, etc. You can use it with a computer, CD/DVD player and other audio signal sources.

## 2. SAFETY PRECAUTIONS

- To avoid electric shock, do not open the HTSS and do not perform repairs by yourself.
- Do not allow the circuit of wires (including the grounded ones) between the speakers, on the power amplifier or the ground, for it causes damage to the power amplifier output stage.
- Do not put foreign objects inside the holes of the HTSS. Make sure that needles, hair pins, coins, insects etc. do not get inside.
- Protect the HTSS from high humidity, water and dust. Do not locate it in areas with high level of humidity and dust.
- Protect the HTSS from heating: do not locate it near a heat source or expose to direct sunlight.
- Do not use gasoline, alcohol or other solvents when cleaning, since they may damage the paint-coated surface of the HTSS. Clean it with dry soft cloth only.
- If the HTSS does not operate, unplug it and address your dealer.



**Caution! High voltage inside! To avoid the risk of electric shock do not open or touch elements inside.**

## 3. PACKAGE CONTENTS

- Powered subwoofer — 1 pc
- Front channelspeakers — 2 pcs
- Center channel speaker — 1 pc
- Rear channel speakers — 2 pcs
- Remote control — 1 pc
- Remote control battery (AAA) — 2 pcs
- Audio cable — 5 pcs
- Signal cable — 3 pcs
- Operation manual — 1 pc
- Warranty card — 1 pc

## 4. SPECIAL FEATURES

- Built-in 6 channel amplifier
- Remote control
- Analog 5.1 inputs
- Additional stereo input
- 2.0 to 5.1 conversion

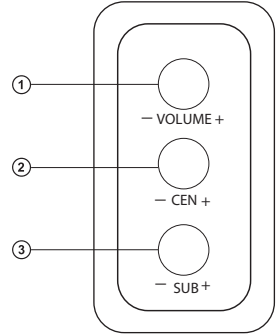
**5.1 Active Home Theater Speaker System**

**5. CONTROL SIDE PANEL**

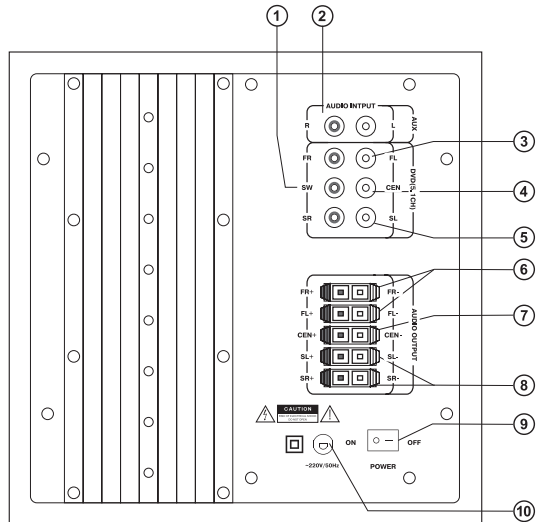
- ① VOLUME: master volume control knob
- ② CEN: center channel volume control knob
- ③ SUB: subwoofer volume control knob

**6. REAR PANEL**

- ① SW: subwoofer channel input connector
- ② AUDIO INPUT AUX(L/R): PC, CD/MP3 player connection stereo input (left/right)
- DVD (5.1CH): input jacks for decoded 5.1 output signal (DVD player, 5.1 PC sound card):
  - ③ FL/FR: front left/right channel input
  - ④ CEN: center channel input
  - ⑤ SL/SR: rear left/right channel input
- OUTPUT(5.1CH): speaker connection output jacks:
  - ⑥ FL/FR: front left/right channel output
  - ⑦ CEN: center channel output
  - ⑧ SL/SR: rear left/right channel output
- ⑨ POWER: power switch
- ⑩ Power cord



*Fig. 1. Control side panel*



*Fig. 2. Rear panel*

## 7. REMOTE CONTROL

- ① MUTE: sound on/off button
- ② RESET: return to default settings
- ③ AUX: AUX input selection button
- ④ DVD: 5.1 CH input selection button
- ⑤ 2.1/5.1: output mode selection button
- ⑥ CEN +/-: center channel volume up/down button
- ⑦ REAR +/-: rear channels volume up/down button
- ⑧ SUB +/-: subwoofer volume up/down button
- ⑨ MASTER VOLUME +/-: master volume up/down button

### Battery installation

Before using the remote control, insert two 1.5 V AAA batteries.

- Remove the battery compartment cover.
- Insert the batteries matching their polarity.
- Replace the battery compartment cover.

### Notes:

- *If the remote control does not work, check the batteries or replace the discharged batteries with new ones.*
- *Direct the remote control at the IR receiver display on the subwoofer.*
- *Use the remote control at an angle of no more than 30°, no more than 7 meters away.*

## 8. PLACEMENT OF THE SPEAKERS

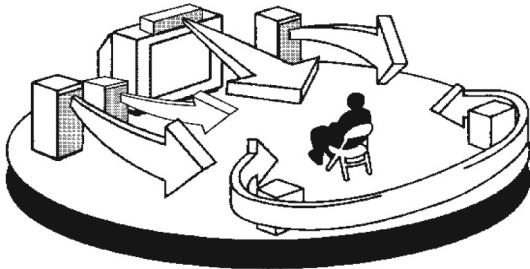


Fig. 4. Placement of the speakers

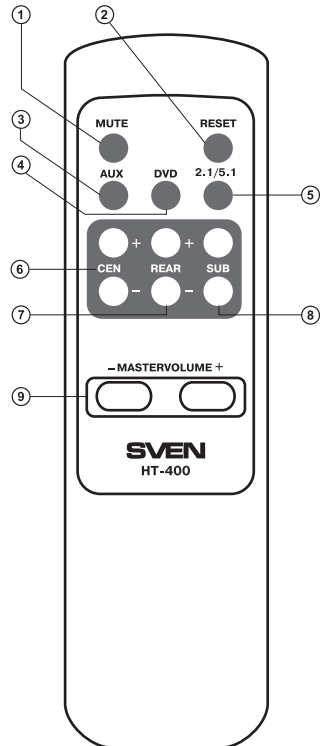


Fig. 3. Remote control

- Place the speakers as shown in Fig. 4.
- The center channel speaker can be placed under a TV set (a monitor).

9. CONNECTION OF SATELLITES

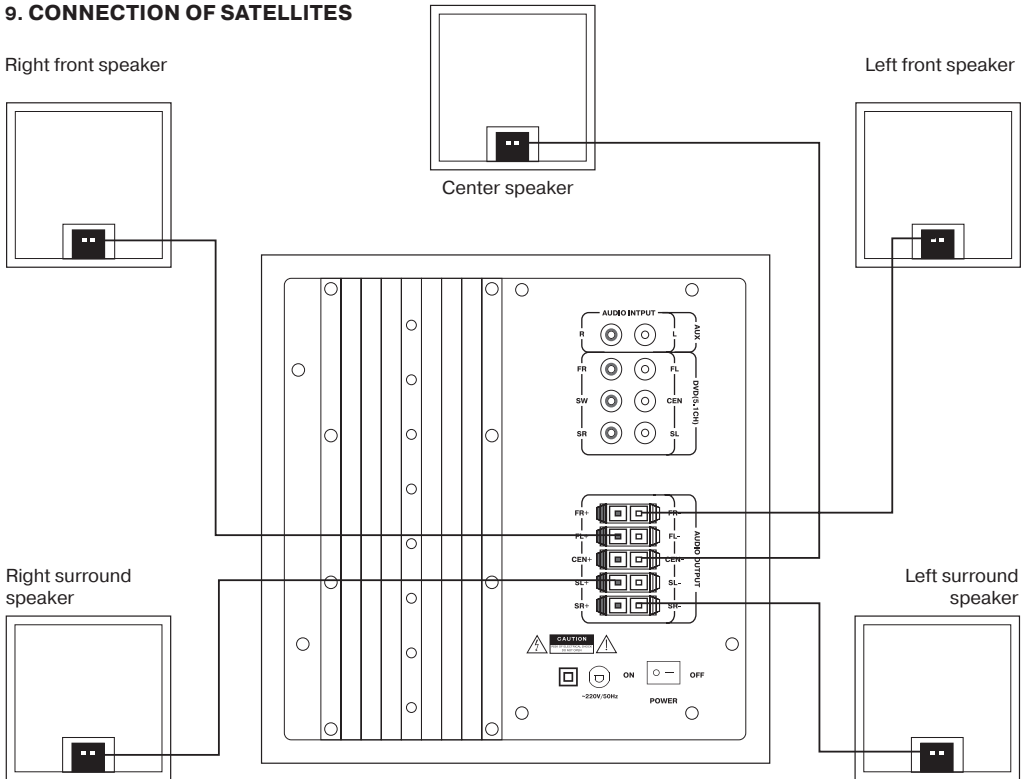


Fig. 5. Connection of the speakers

**WARNING! Switch off all the components before making any connections.**

- Connect the satellites to the subwoofer (Fig. 5).
- Insert the signal cables into the output jacks of your PC sound card, audio/video player. Then connect the RCA jacks of the signal cables to the corresponding subwoofer jacks. The left RCA jack should be connected to the left (white) port of the amplifier, and the right RCA jack to the right (red) port of the amplifier (Fig. 6).
- Insert the power cord plug into the mains outlet.
- Set the master volume control knob ① to its minimum, turn the power on (Fig. 2).
- Adjust the master volume control knob ① as desired.

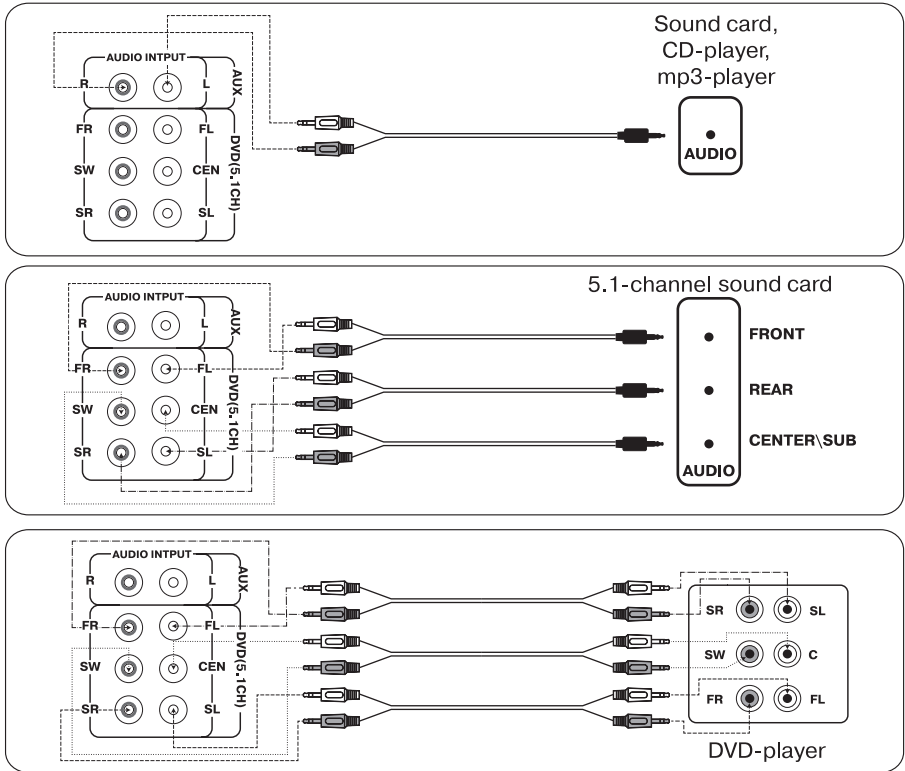


Fig. 6. Sound source installation diagram

**Notes:**

- To enhance sound quality, use the Line Out port of your sound card.
- When the cables are being connected, the signal sources and the speaker system must be unplugged.

**Connecting the subwoofer to audio sources:**

AUX(L/R): stereo input (left/right) for PC, CD/MP3 stereo player connection.  
 DVD (5.1CH): input jacks for decoded 5.1 output signal connection.

### 10. HTSS OPERATION

- Turn the system on using the POWER switch ⑨ (ON position) on the subwoofer rear panel. The system will turn on in the mode playing the audio from the DVD (5.1CH) input. The LED on the front panel will light up. To switch to the additional AUX input, press the AUX button ③ on the remote control. Adjust the volume as desired using the corresponding remote control buttons or side panel knobs:
- MASTER VOLUME (+ / -): master volume control;
- SUB (+ / -): subwoofer volume control;
- When listening to multichannel signal using the 5.1 input, you can adjust the center channel and rear channels volume independently.
- CEN (+ / -): center channel volume control.
- REAR (+ / -): rear channels volume control.
- The RESET button ② returns you to the default settings.
- The 2.1/5.1 mode is used for transmitting a stereo signal using the AUX output, the signal reproduced with all the satellite speakers.
- Subwoofer side panel controls: master volume (VOLUME -/+), center channel volume (CEN +/-), subwoofer volume (SUB +/-).

**Note.** It is recommended that the **POWER switch on the subwoofer rear panel be turned off and the power cord be unplugged from the mains outlet if the system is left unused for a long period of time.**

### 11. TROUBLESHOOTING

| Problem                               | Cause   | Solution                                    |
|---------------------------------------|---|---|
| The MSS doesn't turn on.              | The MSS is not connected to the mains outlet. | Check the connection.                       |
|                                       | Power switch is off.                          | Turn on the switch.                         |
| No sound.                             | Volume level is set at minimum value.         | Adjust the volume control knob.             |
|                                       | Improperly connected audio source.            | Connect audio sources correctly.            |
| There is too quiet sound of speakers. | Volume level is set at minimum value.         | Adjust the volume control knob.             |
| Distortion of sound.                  | Large amplitude of the input signal.          | Turn down the source volume and MSS volume. |

If none of the above methods can solve the problem, please seek professional advice at your nearest service center. Never attempt to repair the product yourself.



**12. TECHNICAL SPECIFICATIONS**

| Parameter, measurement unit                              | Value                              |
|--|------------------------------------|
| Output power (RMS), W:<br>subwoofer<br>satellites        | 100 (30 + 5 × 14)<br>30<br>5 × 14  |
| Speaker diameter, mm / inch:<br>subwoofer<br>satellites  | 133 / 5,25<br>76 / 3               |
| Magnetic shielding                                       | Yes (front and center satellites)  |
| Supply voltage, V/Hz                                     | ~220/50                            |
| Frequency range, Hz:<br>subwoofer<br>satellites          | 40 – 150<br>150 – 20 000           |
| Dimensions (one speaker), mm:<br>subwoofer<br>satellites | 215 × 215 × 250<br>125 × 125 × 140 |
| Weight, kg   | 8.4                                |

**Notes:**

- **Technical specifications given in this table are supplemental information and cannot give occasion to claims.**
- **Technical specifications and package contents are subject to change without notice due to the improvement of SVEN production.**

**SVEN**®  
YOU WANT – WE CAN

## Активная акустическая система 5.1 для домашнего кинотеатра



### Модель: HT-400

Импортер в России: ООО «СКАНДИТРЕЛ», 111024, РФ,  
г. Москва, ул. Авиамоторная, д. 65, стр. 1.

Уполномоченная организация в России:

ООО «РТ-Ф», 105082, г. Москва,

ул. Фридриха Энгельса, д. 75, стр. 5.

Условия гарантийного обслуживания смотрите

в гарантийном талоне или на сайте [www.sven.fi](http://www.sven.fi).

Гарантийный срок: 12 мес.

Срок службы: 5 лет.

Производитель: «СВЕН ПТЕ. Лимитед», 176

Джу Чиат Роуд, № 02-02, Сингапур, 427447.

Произведено под контролем «Свен Скандинавия

Лимитед», 48310, Финляндия, Котка, Котolahdentie,

15. Сделано в Китае.

Manufacturer: SVEN PTE. LTD, 176 Joo Chiat Road,  
№ 02-02, Singapore, 427447. Produced under the control  
of Oy Sven Scandinavia Ltd. 15, Kotolahdentie, Kotka,  
Finland, 48310. Made in China.

® Registered Trademark of Oy SVEN  
Scandinavia Ltd. Finland.

# HT-400