

SVEN[®]

5.1 Active Home Theater
Speaker System with Bluetooth

OPERATION MANUA



HT-202

www.sven.fi

Congratulations on your purchase of the Sven speaker system!**COPYRIGHT**

© 2019. SVEN PTE. LTD. Version 1.0 (V 1.0).

This Manual and information contained in it are copyrighted. All rights reserved.

TRADEMARKS

All trademarks are the property of their legal holders.

NOTICE OF RESPONSIBILITY RESTRICTION

Despite the exerted efforts to make this Manual more exact, some discrepancies may occur. The information in this Manual is given on “as is” terms. The author and the publisher do not bear any liability to a person or an organization for loss or damage which has arisen from the information contained in this Manual.

CONTENTS

1. BUYER RECOMMENDATIONS	2
2. PACKAGE CONTENTS.....	3
3. SAFETY PRECAUTIONS	3
4. TECHNICAL DESCRIPTION	3
5. PREPARATION AND OPERATION	6
6. TROUBLESHOOTING.....	11
7. TECHNICAL SPECIFICATIONS	12

1. BUYER RECOMMENDATIONS

- Unpack the device carefully. Make sure there are no accessories left in the box. Check up the device for damage; if the product was damaged during transportation, address the firm which carried out the delivery; if the product functions incorrectly, address the dealer at once.
- Check up the package contents and availability of the warranty card. Make sure the warranty card has a shop stamp, a legible signature or the seller’s stamp and purchase date, and the goods number corresponds to that in the warranty card. Remember: in case of warranty card loss or discrepancy of numbers you forfeit the right for warranty repairs.
- Do not switch on the speaker system immediately after you bring it into a room from environment with negative temperature! After unpacking, the speaker system should be kept in conditions of room temperature for at least 4 hours.
- Before installing and using the speaker system, read this Manual carefully and keep it for future reference.
- Shipping and transportation equipment is permitted only in the original container.
- Does not require special conditions for realization.
- Dispose of in accordance with regulations for the disposal of household and computer equipment.

Technical support is on www.sven.fi.

2. PACKAGE CONTENTS

- Subwoofer – 1 pc
- Satellites – 5 pcs
- Remote control (RC) – 1 pc
- RC batteries (AAA type) – 2 pcs
- FM antenna – 1 pc
- 2RCA to mini-jack (Ø 3.5 mm) signal cables – 3 pcs
- Operation manual – 1 pc
- Warranty card – 1 pc

3. SAFETY PRECAUTIONS



Caution! High voltage inside! To avoid the risk of electric shock do not open or touch elements inside.

- To avoid electric shock, do not open the MSS and do not perform repairs by yourself. Service and repairs should be performed only by qualified specialists in an authorized service center. The list of authorized service centers is available on www.sven.fi.
- Do not allow the circuit of wires (including the grounded ones) between the speakers, on the power amplifier or the ground, for it causes damage to the power amplifier output stage.
- Do not touch the MSS power cord plug pins for 2 seconds after unplugging it from the mains.
- Do not put foreign objects inside the holes of the MSS.
- Protect the MSS from high humidity, water and dust.
- Protect the MSS from heating: do not place it closer than 1 m from a heat source. Do not expose it to direct sunlight.
- Do not place any open flame sources on or close to MSS.
- Do not place the MSS in poorly ventilated areas. Leave an air gap of 10 cm or more. When operating the MSS, do not put any devices on it, do not cover it with cloth or other objects preventing it from cooling.
- Do not use any chemical agents for cleaning. Clean it with dry soft cloth only.

4. TECHNICAL DESCRIPTION

HT-202 5.1 Home Theater Speaker System (HTSS) is designed for creating a home theater. The multichannel 5.1 amplifier built into the subwoofer enables to connect the HTSS to virtually any audio source.

Special features

- Wireless signal transmission via Bluetooth
- Built-in FM radio
- Built-in audio files player from USB flash and SD card storage devices
- Possibility to transform stereo signal to 5.1
- Digital LED display
- Remote Control

HTSS design

- ① LED display
- ② Volume level control
- ③ MODE: input switch, Bluetooth/DVD/AUX/FM/USB/SD (pressed short); ST-BY mode (pressed long)
- ④ ►►: next track (pressed short in the Player or Bluetooth mode); next station (pressed short in the Radio mode)
- ⑤ ►||: Play/Pause (pressed short in the Player or Bluetooth mode); start/stop auto scan (pressed long in the Radio mode)
- ⑥ ◀◀: previous track (pressed short in the Player or Bluetooth mode); previous station (pressed short in the Radio mode)
- ⑦ USB: slot for a USB flash device* containing MP3 audio files
- ⑧ SD/MMC: slot for SD/MMC cards* containing MP3 audio files
- ⑨ FM ANT: FM antenna input jack
- ⑩ AUX AUDIO INPUT: line input jacks
- ⑪ DVD AUDIO INPUT: DVD input jacks
- ⑫ AUDIO OUTPUT: satellite output jacks
- ⑬ ON/OFF: power switch
- ⑭ Power cord

* The storage device must be formatted as FAT, FAT32. Memory cards SDHC class 10 or less can be used. Connecting devices other than USB flash drive is not recommended. Connection of HDDs and other devices can cause damage to the HTSS.

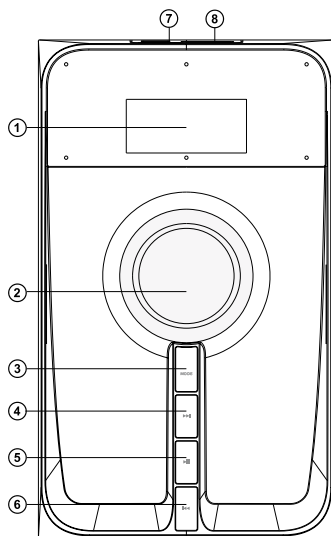


Fig. 1. Control panel

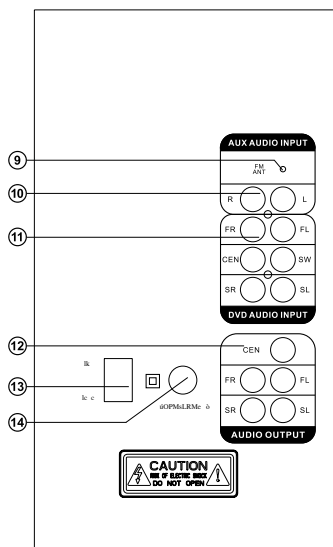


Fig. 2. Subwoofer rear panel

Operation Manual

HT-202

Remote control

- ① STBY: ON/OFF power switch button (ST-BY Mode)
- ② MUTE: sound on/of
- ③ PRO-LOGIC: on/off button of the conversion mode of a stereo signal to 5.1
- ④ RESET: return to default settings
- ⑤ SAVE /DEL: memorize selected frequency button (pressed short in the Radio mode); deleting a memorized station (pressed long)
- ⑥ FM: input selection FM
- ⑦ DVD/BT: input selection DVD/Bluetooth
- ⑧ AUX : input selection AUX
- ⑨ USB/SD: input selection USB / SD (in Player mode)
- ⑩ SURR: volume up/down
- ⑪ SUB: subwoofer volume up/down
- ⑫ CEN: center channel volume up/down
- ⑬ VOL+/-: volume up/down button
- ⑭ ◀▶: previous track/next track (in the Player mode and Bluetooth); previous station/next station* (in Radio mode);
- ⑮ ⏮, ⏭, SCAN: Play/Pause button (in Player and Bluetooth mode); Start/Stop auto scan (pressed long in Radio mode)
- ⑯ FRONT: front channel volume up/down
- ⑰ TUN +/-: manual band scanning buttons (in the Radio mode)
- ⑱ 0-9: numeric pad (select track number in the Player mode or track number FM Radio)

* The frequencies are switched if there are stations preset in the memory.

Installing RC batteries

- Open the battery compartment on the back of the remote control.
- Insert the included AAA batteries.
- Close the battery compartment

Notes:

- **Use the RC at an angle no more than 30° at a distance of no more than 7 meters.**
- **Direct the remote control at the LED display on the subwoofer.**
- **If the remote control is inoperative, check the availability of batteries or change them.**
- **Remove the batteries from the RC if you don't intend to use it for a long time (more than a week).**

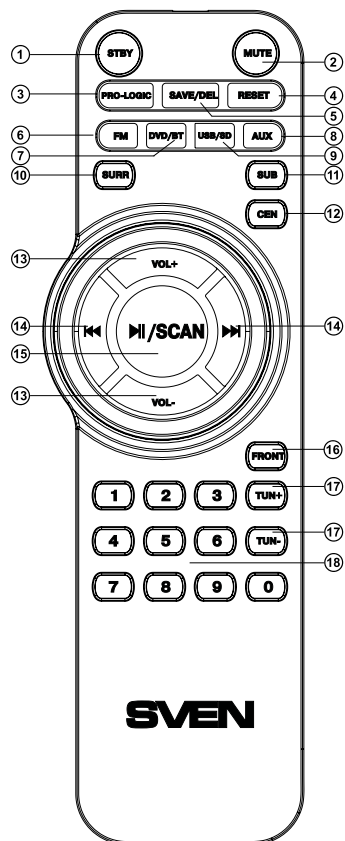
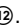


Fig. 3. Remote control

5. PREPARATION AND OPERATION

Speaker placement

- To achieve optimum sound, it's recommended that you place the speakers according to Fig. 4. The center and front speakers should be located along an imaginary circle with the distance between the listener and the center channel speaker as a radius, and the listener's head as the center. Each of the three speakers should be placed at equal distance from the listener. The front speakers and the listener make up an equilateral triangle. The rear speakers are placed at the same distance from the listener (on the imaginary circle, too) at an angle of nearly 110° to the Listener – Display axis.
- Avoid placing your speakers in the corners and close to walls, as this can lead to unwanted resonance and distortions. If possible, place them at least 20 cm away from walls.
- Do not locate the speakers in niches. Such placement can affect the sound badly, especially in the lows.
- The subwoofer emits non-directional sound, therefore it can be located in any place of the room where it sounds the best.
- Connect the speakers to the subwoofer AUDIO OUTPUT .

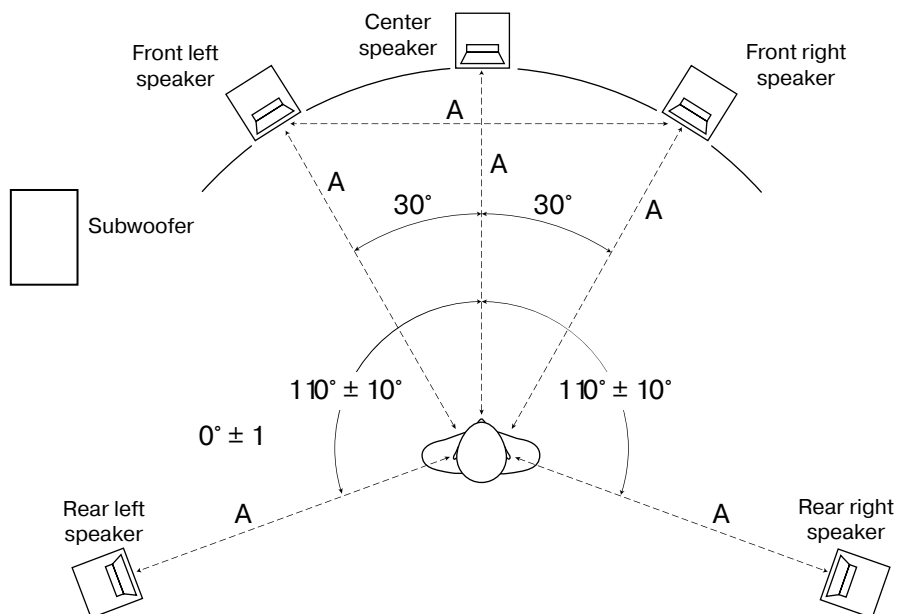


Fig. 4. Speaker placement

Installing and connecting the FM antenna

- Insert the included indoor FM antenna into the FM ANT ⑨ jack on the subwoofer rear panel, as shown in Fig. 5. Install the FM antenna in such a way that reception quality is satisfactory, and then fix the position of the antenna.

Note. *In buildings with weak FM signal use an outdoor FM antenna.*

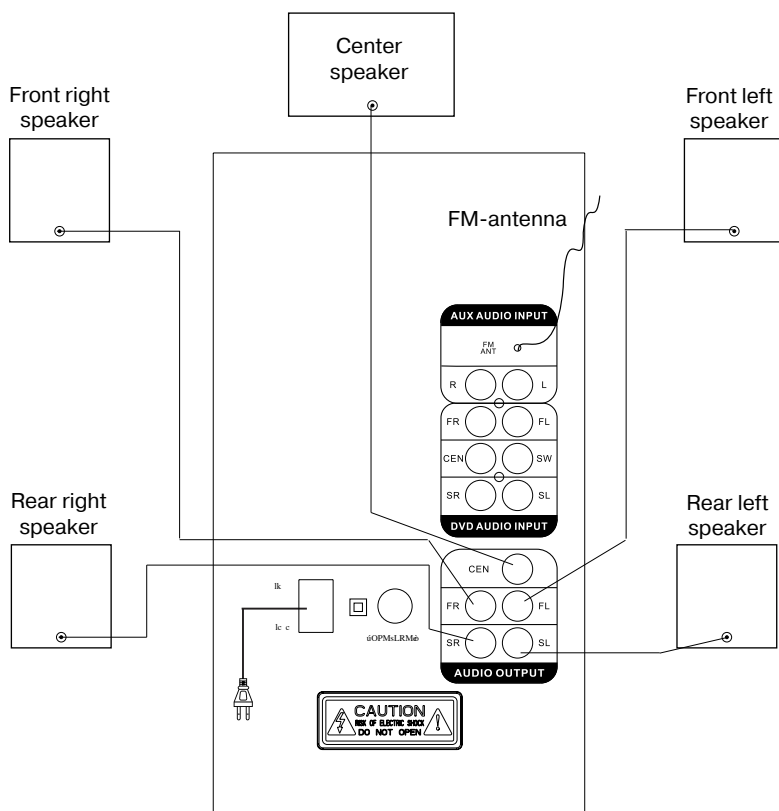


Fig. 5. Speaker connection diagram

Preparations

HT-202 speaker system can be connected to virtually any audio source: DVD/CD/MP3 player, PC sound card, etc. (see connection diagram, Fig. 6).

Caution! Before making any connections, make sure the MSS is off and unplugged.

- To connect the HTSS to PC sound cards, MP3/CD players, use the 2RCA to mini-jack signal cables from the package. Connect the RCA jacks and mini-jacks, as shown in Fig. 6.
- To connect the speakers to a CD/DVD/AUX player or TV use the included 2RCA to 2RCA stereo signal cables (not included).

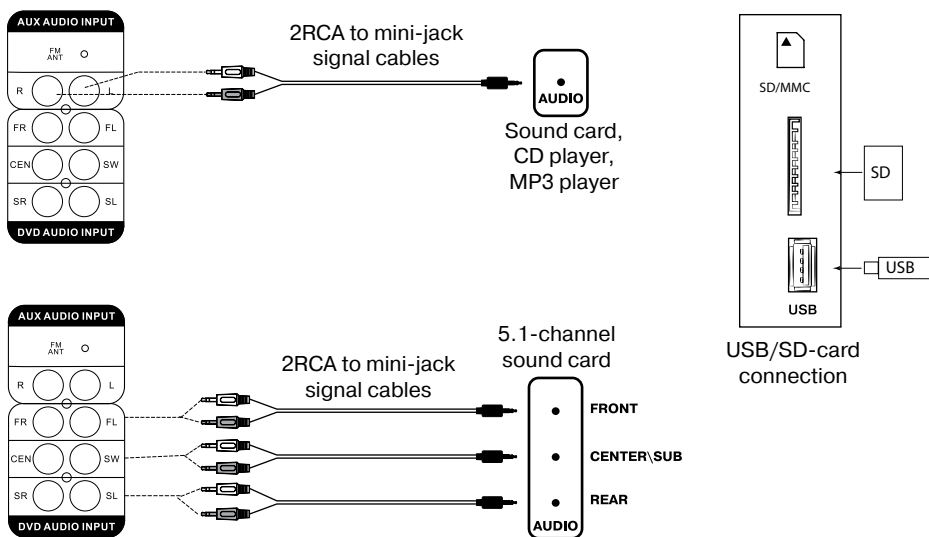


Fig. 6. Connection to audio sources

Switching on

- Connect the power cord ⑭ to the mains outlet.
- Switch on the HTSS power supply with the POWER ON/OFF switch (⑬, ON position) on the subwoofer rear panel. Press ① button on the RC or MODE ③ button on the subwoofer control panel, and the LED display (①, Fig. 1) will illuminate. The system is ready for operation.

Selecting audio source

- The HTSS has one stereo audio input (AUX) and DVD 5.1-input on the subwoofer rear panel, as well as two ports (SD and USB) on its top panel. The system will automatically enter the Player mode, when one of devices (USB flash or SD/MMC card) is connected to the corresponding jacks ⑦, ⑧ (Fig. 1). Select the audio source with the MODE ③ button on the control panel or with buttons USB/SD ⑨, AUX ⑩, FM ⑥, DVD/BT ⑦ on the RC (Fig. 3). The subwoofer LED display ① will show the corresponding title.

Master volume control

- Adjust the desired master volume level with regulator ② on the control panel or use buttons VOL+/- ⑬ on the RC.

Subwoofer and satellite speaker volume control

- The front, rear and center speaker volume can be adjusted with FRONT/SURR/CEN buttons on the RC. The SUB ⑪ button on the RC are used for adjusting the subwoofer volume control.

AUX/DVD Modes

- To select any of AUX or DVD modes use the MODE ③ button on the front panel or AUX ⑩ and DVD ⑦ buttons on the RC (Fig. 3). The corresponding title will be displayed on the subwoofer.

2.1/5.1 Mode

- For 5.1 mode emulation from 2.1 mode use the PRO-LOGIC ③ button on the RC.

Player Mode

- To enter the Player mode press the MODE ③ or USB/SD ⑨ button on the RC, when the HTSS is on. The Player mode will start automatically.
- To select a track, you can enter directly its sequence number on the remote control or select it using buttons ◀ or ▶ on the front panel or on the RC.

Radio Mode

- To switch to the FM radio mode, use the MODE ③ button on the subwoofer front panel or the FM ⑥ buttons on the remote control.
- To auto scan and memorize the found stations, press long the button ▶ on the front panel or the SCAN ⑫ button on the remote control. The frequency being scanned is displayed on the front panel and when the station is being memorized its assigned sequence number is displayed for a short moment.
- For manual scanning use buttons TUN +/- on the RC. To save the selected station, press the SAVE ⑤ button, and then with the buttons ◀, ▶ assign the station its number and press the SAVE button again.
- If preset stations are available in the memory, you can switch from one to another by short pressing buttons ◀ ⑬, ▶ ⑭ on the front panel or buttons ◀, ▶ ⑭ on the remote control. The station frequency can also be entered with the numeric pad buttons. The radio will tune to the set frequency within 2-3 seconds.

ST-BY Mode

- To enter/exit this mode, press and hold down button MODE ③ on the front panel or button ① on the RC.

Bluetooth Mode

- In order to transmit signal in this mode it is necessary by first to connect the device with a signal source. For this purpose select the Bluetooth mode using MODE button ③ on the front panel of the subwoofer or DVD/BT button ⑦ on the remote control. After 2-3 seconds the speaker system will enter the search mode, «BT» mode is shown on the display ①.
- It is necessary to select the search mode of devices with Bluetooth on a signal source (telephone, notebook, smartphone, etc.). «HT-202», message will be displayed on the screen which it should be connected with*.
- The «BT» indicator lights continuously when connection is successful. If there is no any connection, the lighting of the «BT» indicator is intermittent. In this case the system should be switch over to the search mode once again (to turn off and turn on a new)**.
- It is possible to control the player of a signal source from the remote control or using the button on the front panel of the subwoofer when connecting to a signal source.

* You might have to enter "0000" code to connect some models of devices via Bluetooth.

** If an item has been already registered in the device list of a source, then the second search mode activation is not obligatory. Choose only the item name and the "connect" command on the source.

Audio setting reset

- Press the button RESET ④ on the remote control to reset audio settings.

Notes:

- ***If the MSS is left unused for a long period of time, mind to switch it off with the POWER switch (⑬, OFF position) and unplug the power cord ⑭ from the mains socket.***
- ***To improve the sound quality, use the Line-Out port of your sound card.***

6. TROUBLESHOOTING

Problem	Cause	Solution
The HTSS does not turn on.	The HTSS isn't connected to a mains outlet.	Check the connection.
	The power switch is off.	Turn on the switch.
No sound.	Volume level is set at minimum value.	Adjust the volume control knob.
	Improperly connected audio source.	Connect audio sources correctly.
There is too quiet sound of speakers.	Volume level is set at its minimum value.	Adjust the volume control knob.
Distortion of sound.	Large amplitude of the input signal.	Turn down the source volume and the HTSS volume.
The remote control is not working.	The batteries are discharged.	Replace batteries with new ones.
	There is direct sunlight.	Change the subwoofer or remote control location.
	Obstacle between the remote control and the subwoofer receiver.	Change the subwoofer or remote control location.
The FM tuner is not working.	The FM tuner is not connected.	Connect the FM antenna.
	Poor reception of the antenna.	Connect an outdoor FM antenna.

If none of the above methods can solve the problem, please seek professional advice at your nearest service center. Never attempt to repair the product yourself.

7. TECHNICAL SPECIFICATIONS

Parameter, measurement unit	Value
Output power (RMS), W: subwoofer satellites	100 (20 + 5 × 16) 20 5 × 16
Frequency response, Hz: subwoofer satellites	40 – 125 125 – 22 000
Speaker diameters, mm: subwoofer satellites	Ø 128 full-range Ø 77
Power supply, V/Hz	~230/50
Dimensions (W × H × D), mm: subwoofer satellites	175 × 272 × 305 105 × 170 × 110
Weight, kg	6.30

Notes:

- **Technical specifications given in this table are supplemental information and cannot give occasion to claims.**
- **Technical specifications and package contents are subject to change without notice due to the improvement of SVEN production.**

5.1 Active Home Theater
Speaker System with Bluetooth

SVEN®



Model: **HT-202**

Импортер в России: ООО «РЕГАРД», 105082, РФ,
г. Москва, ул. Фридриха Энгельса, д.75, стр. 5.
Уполномоченная организация в России: ООО «РТ-Ф»,
105082, г. Москва, ул. Фридриха Энгельса, д. 75, стр. 5.
Условия гарантийного обслуживания смотрите в га-
рантийном талоне или на сайте www.sven.fi.

Гарантийный срок: 12 мес.

Срок службы: 5 лет.

Производитель: «СВЕН ПТЕ. Лимитед», 176 Джу Чиаг
Роуд, № 02-02, Сингапур, 427447. Произведено под
контролем «Свен Скандинавия Лимитед», 48310, Фин-
ляндия, Котка, Котolahdentie, 15. Сделано в Китае.

Manufacturer: SVEN PTE. LTD, 176 Joo Chiat Road, № 02-
02, Singapore, 427447. Produced under the control of Oy
Sven Scandinavia Ltd. 15, Kotolahdentie, Kotka, Finland,
48310. Made in China.

® Registered Trademark of Oy SVEN
Scandinavia Ltd. Finland.



HT-202