

**SVEN**<sup>®</sup>  
YOU WANT – WE CAN

5.1 Active Home Theater  
Speaker System

## OPERATION MANUAL



**BTR5-10**

[www.sven.fi](http://www.sven.fi)

***Congratulations on your purchase of the Sven speaker system!***

#### **COPYRIGHT**

© 2014. SVEN PTE. LTD. Version 1.0 (V 1.0).

This Manual and information contained in it are copyrighted. All rights reserved.

#### **TRADEMARKS**

All trademarks are the property of their legal holders.

#### **NOTICE OF RESPONSIBILITY RESTRICTION**

Despite the exerted efforts to make this Manual more exact, some discrepancies may occur. The information in this Manual is given on «as is» terms. The author and the publisher do not bear any liability to a person or an organization for loss or damage which has arisen from the information contained in this Manual.

#### **CONTENTS**

<b>1. BUYER RECOMMENDATIONS .....</b>	<b>1</b>
<b>2. PACKAGE CONTENTS.....</b>	<b>2</b>
<b>3. SAFETY PRECAUTIONS .....</b>	<b>2</b>
<b>4. TECHNICAL DESCRIPTION .....</b>	<b>2</b>
<b>5. PREPARATION AND OPERATION .....</b>	<b>5</b>
<b>6. TROUBLESHOOTING.....</b>	<b>10</b>
<b>7. TECHNICAL SPECIFICATIONS .....</b>	<b>11</b>

#### **1. BUYER RECOMMENDATIONS**

- Unpack the device carefully. Make sure there are no accessories left in the box. Check up the device for damage; if the product was damaged during transportation, address the firm which carried out the delivery; if the product functions incorrectly, address the dealer at once.
- Check up the package contents and availability of the warranty card. Make sure the warranty card has a shop stamp, a legible signature or the seller's stamp and purchase date, and the number of the wall mount corresponds to that in the warranty card. Remember: in case of warranty card loss or discrepancy of numbers you forfeit the right for warranty repairs.
- Do not switch on the speaker system immediately after you bring it into a room from environment with negative temperature! After unpacking, the speaker system should be kept in conditions of room temperature for at least 4 hours.
- Before installing and using the speaker system, read this Manual carefully and keep it for future reference.

***Technical support is on [www.sven.fi](http://www.sven.fi)***

### 2. PACKAGE CONTENTS

- Subwoofer – 1 pc
- Satellite speakers – 5 pcs
- Audio cable – 5 pcs
- 2RCA to 2RCA signal cable – 3 pcs
- 2RCA to 3.5 mm mini-jack adapter – 3 pcs
- Remote control – 1 pc
- CR2025 battery – 1 pc
- FM antenna – 1 pc
- AM antenna – 1 pc
- Operation manual – 1 pc
- Warranty card – 1 pc

### 3. SAFETY PRECAUTIONS



**Caution! High voltage inside! To avoid the risk of electric shock do not open or touch elements inside.**

- To avoid electric shock, do not open the MSS and do not perform repairs by yourself. Service and repairs should be performed only by qualified specialists in an authorized service center. The list of authorized service centers is available on [www.sven.fi](http://www.sven.fi)
- Do not allow the circuit of wires (including the grounded ones) between the speakers, on the power amplifier or the ground, for it causes damage to the power amplifier output stage.
- Do not touch the MSS power cord plug pins for 2 seconds after unplugging it from the mains.
- Disconnect the MSS from the mains system during a fuse replacement. Use fuses of the same type and rated value. Do not use hand-made fuses.
- Do not put foreign objects inside the holes of the MSS.
- Protect the MSS from high humidity, water and dust.
- Protect the MSS from heating: do not place it closer than 1 m from a heat source. Do not expose it to direct sunlight.
- Do not place any open flame sources on or close to MSS.
- Do not place the MSS in poorly ventilated areas. Leave an air gap of 10 cm or more. When operating the MSS, do not put any devices on it, do not cover it with cloth or other objects preventing it from cooling.
- Do not use any chemical agents for cleaning. Clean it with dry soft cloth only.

### 4. TECHNICAL DESCRIPTION

BTRS-10 5.1 Home Theater Speaker System (HTSS) equipped with AM/FM tuner is designed for playing music and sounding games, movies, etc., as well as being used as radio tuner. The built-in amplifier allows to connect the speaker system to virtually any audio source. Remote control is included.

# Operation Manual

# BTR5-10

### Special features

- Built-in 6-CH amplifier
- Built-in AM/FM tuner
- Analog 5.1 input, two stereo AV inputs for connection to various audio devices
- Electronic audio input switch
- Full-function remote control
- Master volume and subwoofer volume control
- Individual volume controls for front, rear and center channel satellites
- LED display
- Magnetic shielding
- Wooden (MDF) cabinets of the subwoofer and satellites

### Subwoofer design

- ① Display screen
- ② VOLUME: master volume control knob
- ③ STANDBY: standby mode button
- ④ INPUT: audio source selection button
- ⑤ 2.1/5.1: 2.1/5.1 mode switch button
- ⑥ MUTE: MUTE button
- ⑦ SUB+: subwoofer volume up
- ⑧ SUB-: subwoofer volume down
- ⑨ FM ANT: FM antenna terminal
- ⑩ AM GND/AM ANT: AM antenna terminals
- ⑪ 2CH INPUT: audio source inputs
- ⑫ DVD (5.1CH) INPUT: 5.1 audio source input
- ⑬ AUDIO OUTPUT: audio outputs for front, rear and center channels
- ⑭ POWER: POWER ON/OFF switch
- ⑮ Power cord

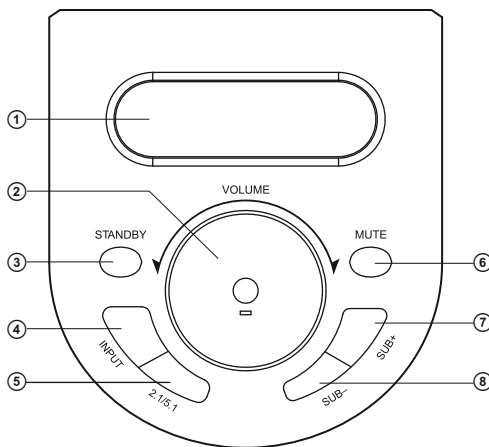


Fig. 1. Subwoofer control panel

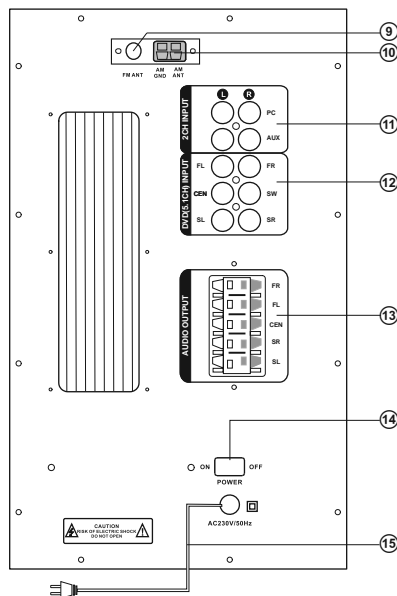


Fig. 2. Subwoofer rear panel

5.1 Active Home Theater Speaker System

**Remote control**

- ① STANDBY: standby mode button
- ② PC: PC signal source selection
- ③ DVD: DVD (5.1CH) signal source selection
- ④ AUX: AUX signal source selection
- ⑤ SURROUND +/-: rear channels volume control buttons
- ⑥ FRONT +/-: front channels volume control buttons
- ⑦ TREBLE +/-: treble level control buttons
- ⑧ 0 – 9: numeric keypad
- ⑨ 10+: numeric keypad multiplier
- ⑩ MUTE: sound off button
- ⑪ RESET: return to default settings
- ⑫ 2.1/5.1: 2.1/5.1 mode switch button
- ⑬ VOL +/-: master volume control buttons
- ⑭ CEN +/-: center channel volume control buttons
- ⑮ SUB +/-: subwoofer channel volume control buttons
- ⑯ BASS +/-: bass level control buttons
- ⑰ SCAN: tuner auto scan
- ⑱ TUNE +/-: tuner manual adjustment
- ⑲ FM/AM: FM and AM band selection
- ⑳ MEMORY: saving tuner settings

**Remote control battery installation**

- Open the battery compartment on the back of the remote control.
- Insert the CR2025 battery (included).
- Close the battery compartment.

**Notes:**

- **Use the remote control at an angle of no more than 30°, no more than 7 meters away.**
- **Direct the remote control at the IR receiver display on the subwoofer.**
- **If the remote control does not work, check the battery or replace the discharged battery with a new one.**
- **Remove the battery from the remote control if you don't intend to use it for a long time (more than a week).**

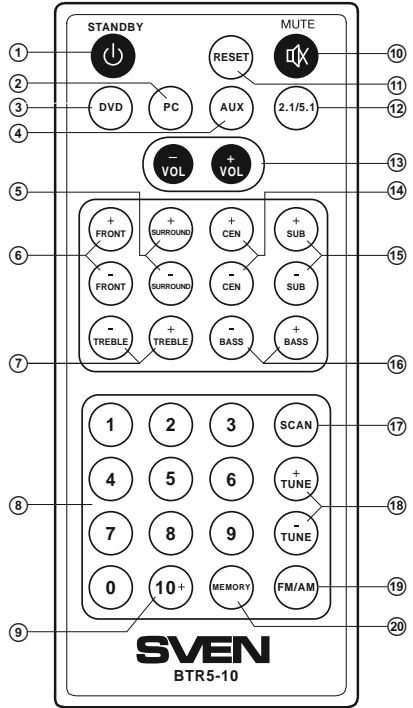


Fig. 3. Remote control

## 5. PREPARATION AND OPERATION

### Speaker placement

• To achieve optimum sound, it's recommended that you place the speakers according to Fig. 4. The center and front speakers should be located along an imaginary circle with the distance between the listener and the center channel speaker as a radius, and the listener's head as the center. Each of the three speakers should be placed at equal distance from the listener. The front speakers and the listener make up an equilateral triangle. The rear speakers are placed at the same distance from the listener (on the imaginary circle, too) at an angle of nearly  $110^\circ$  to the Listener – Display axis.

• Avoid placing your speakers in the corners and close to walls, as this can lead to unwanted resonance and distortions. If possible, place them at least 20 cm away from walls.

• For more accurate perception, the tweeters should be at the listener's ear level.

• Do not locate the speakers in niches. Such placement can affect the sound badly, especially in the lows.

• The subwoofer emits non-directional sound, therefore it can be located in any place of the room where it sounds the best.

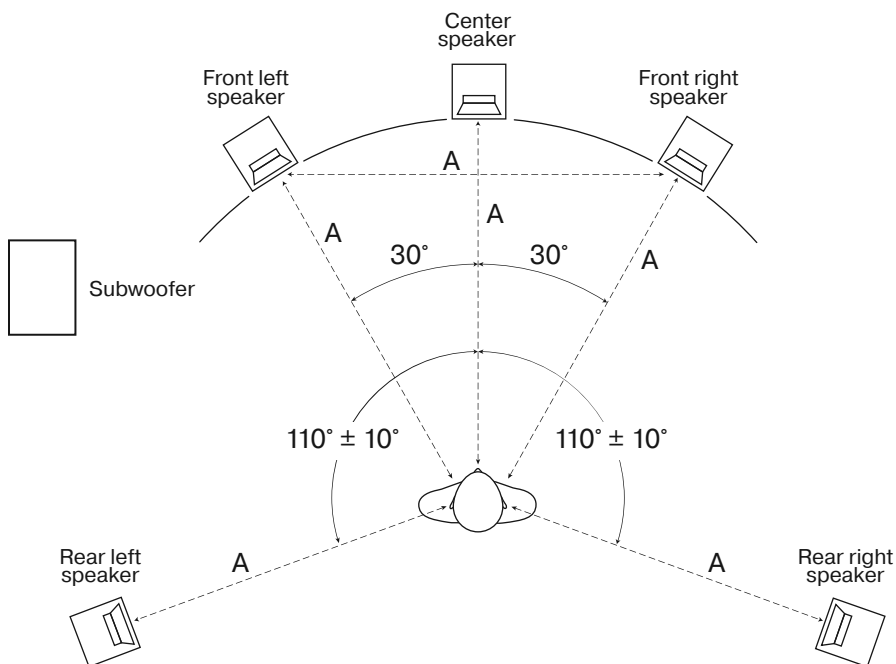


Fig. 4. Speaker placement

**Connecting the satellites to the subwoofer**

- Before connecting, make sure that the device is unplugged. Join the connection cables as shown in Fig. 5. Please note that the red (+) terminals of the satellites should be connected to the red terminals of the subwoofer (+ → +), while the black (-) terminals of the satellites should be connected to the black terminals of the subwoofer (- → -).
- Check for correctness of polarity connection and absence of contact between bared wires and with metal parts of equipment.

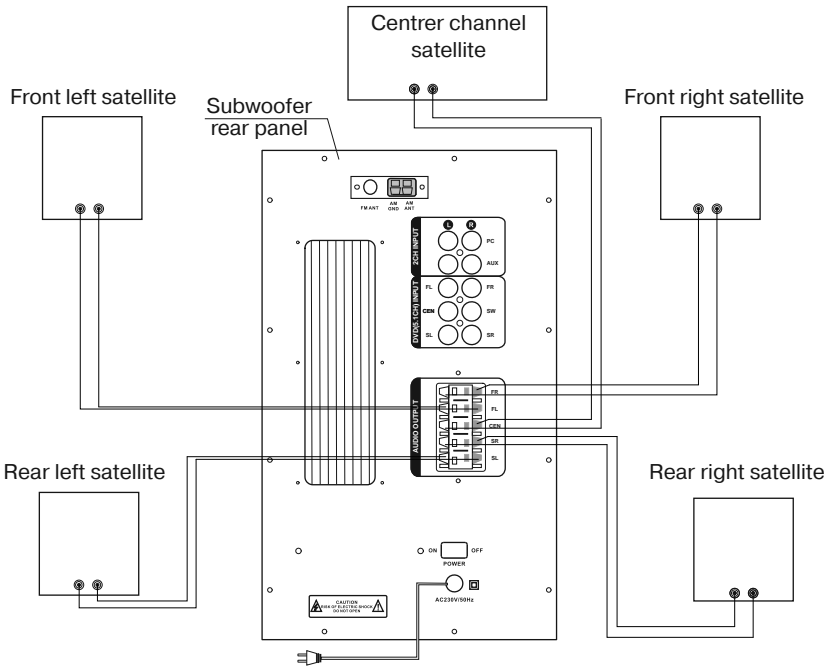


Fig. 5. Speakers connection diagram

**Connecting an audio source**

BTR5-10 5.1 Home Theater Speaker System can be connected to virtually any audio source (see connection diagram, Fig. 6).

- Before connecting, make sure that the device is unplugged.
- To connect the speakers to a CD/DVD/VHS-player or TV, use the 2RCA to 2RCA stereo signal cables. To connect the HTSS to a PC sound card or an MP3/CD player, use the 2RCA to 2RCA signal cable together with the included 2RCA to 3.5 mm mini-jack adapter.

- Be sure to connect the left and right channels correctly. The left RCA jacks should be inserted into the left ports of the amplifier (usually white), and the right RCA jacks should be inserted into the right ports of the amplifier (usually red).

**Note. Accuracy and reliability of the cables' connection directly affects the sound quality. Check for absence of contact between the bared wires and with metal parts of the equipment.**

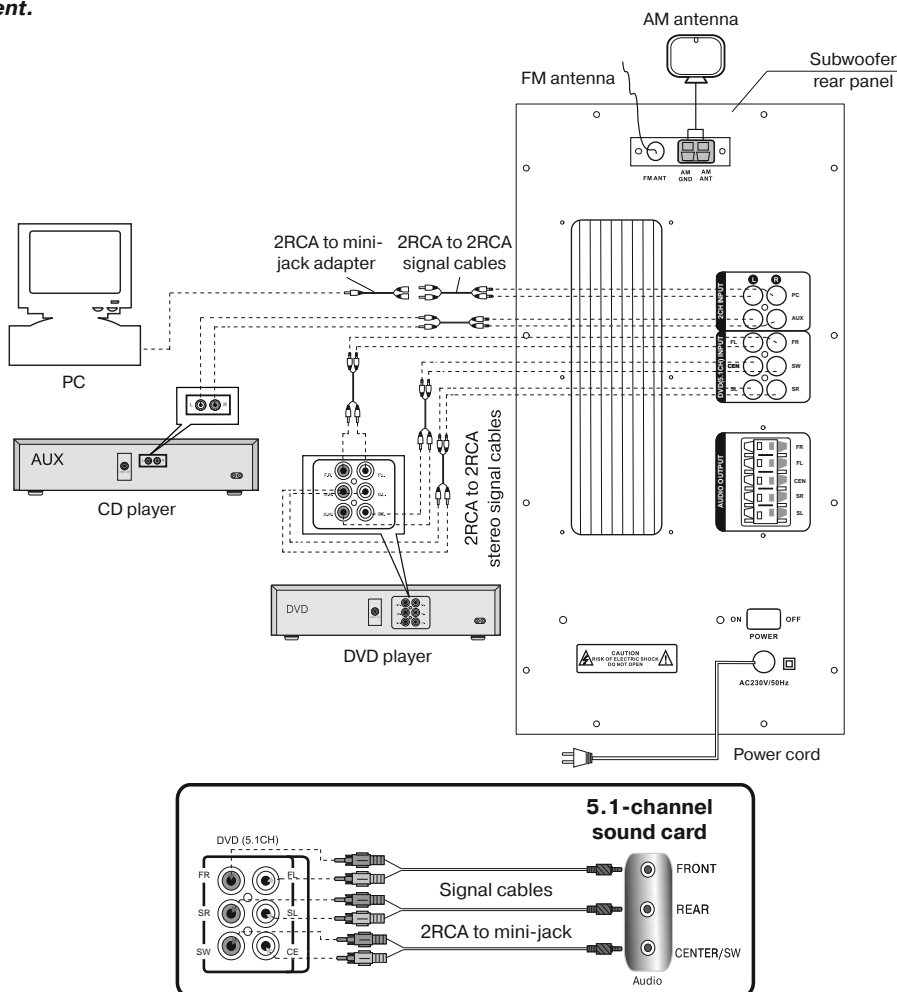


Fig. 6. Audio source connection diagram



### Installation and Connection of Antennas

#### FM Antenna Connection

• Insert the included room FM antenna into the FM ANT terminal on the subwoofer rear panel, as shown in Fig. 5. Install the FM antenna in such a way that reception quality is satisfactory, and then fix the position of the antenna.

**Note.** *In buildings with weak FM signal, use an external 75 Ohm FM antenna. Typically, a three-element antenna is enough, but in areas with weak FM signal it is necessary to use an FM antenna with 5 or more elements.*

#### AM Antenna Connection

• To install the loop antenna (see the Fig. 7 below), fix the bracket to the hole at the bottom of the antenna (step 1).

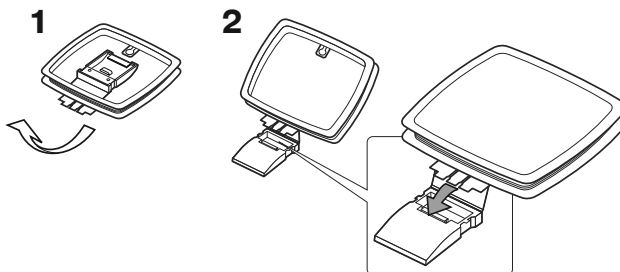


Fig. 7. AM antenna connection

• Turn the visor of the AM terminal counterclockwise to loosen it slightly, insert the cord of the loop antenna under the visor and turn the visor clockwise to firmly clamp the cord (step 2). Gently pull the cord to make sure it is securely fixed. Install the antenna in a niche or hang it on the window frame, so that the reception is better. Place all other cables (power cable, speaker cables or connecting wires) far away from the antenna.

• After that, connect the loop antenna to the AM ANT and AM GNT terminals on the rear panel of the subwoofer (see AM antenna connection, Fig. 6).

**Note.** *When reception is poor in the inner AM loop antenna, it is recommended that an external AM antenna (not included) be used.*

### Operation

#### Switching On

To switch on the subwoofer, plug the power cord (⑤, Fig. 1) into the mains outlet and shift POWER On/Off switch (④, Fig. 1) on the rear panel into ON position. The display (①, Fig. 1) on the front panel will illuminate.

#### Standby Mode

STANDBY function is designed for switching on the speaker system quickly and saving electricity consumption. Press STANDBY (①, Fig. 3) on the remote control or STANDBY button (③, Fig. 1) on the subwoofer control panel to activate/deactivate this function. If the STANDBY button is on,

two blinking stripes will illuminate the display of the subwoofer. Press it again, and the speaker system will return to operation mode.

### Audio Source Selection

- There are two stereo inputs (PC, AUX) and 5.1CH input in the Home Theatre Speaker System. To listen to a stereo audio source, connect it to AUDIO INPUT (Ⓜ, Fig. 2) of the speaker system, as shown in Fig. 5. To listen to a multichannel sound source, connect its multichannel output to 5.1CH INPUT (Ⓜ, Fig. 2) of the speaker system (see connection diagram, Fig. 5). Depending on the required connection, select the desired audio source with the INPUT button on the control panel of the subwoofer (④, Fig. 1) or with the DVD ②, PC ③ or AUX ④ buttons (Fig. 3) on the remote control. The subwoofer display will illuminate with a corresponding inscription.

### Turning on and Setting the Tuner

- Press the SCAN Ⓡ and FM/AM Ⓢ buttons on the remote control to turn on the tuner and select the FM or AM band.
- **Manual setting.** Press the TUNE + or TUNE- buttons Ⓣ on the remote control for fine-tuning the frequency of the radio station.
- **Auto search.** By holding SCAN Ⓡ on the remote control for more than 1 second, turn on the scanning of the FM band starting with 87 MHz frequency, the found radio stations being memorized sequentially: «CH 01», «CH 02», «CH 03», etc. Scanning of the FM band will continue until 108 MHz frequency. After the scanning, the first found radio station turns on.
- Additionally, you can turn on the desired broadcast quickly with the numeric keypad buttons (Ⓟ and Ⓠ) on the remote control, having saved systems of 20 FM radio stations and 20 AM radio stations. To save the found radio station, press MEMORY Ⓚ on the remote control (CH \_ \_ will illuminate on the display), then enter its number (from 0 to 19) with the numeric keypad buttons (Ⓡ and Ⓢ) on the remote control, which will illuminate on the display (for example, CH 09). After saving the required quantity of radio stations, enter the number of your desired radio station on the remote control with the numerical keypad buttons (Ⓡ and Ⓢ) for quick search.

### Master Volume Control

- Press VOL+ or VOL- (Ⓛ, Fig. 3) on the remote control or turn the VOLUME knob (②, Fig. 1) on the front panel of the subwoofer to adjust (increase/decrease) the volume level.

### Satellites and Subwoofer Volume Control

- The volume level of the front, rear and center channel satellites can be adjusted with FRONT+/- Ⓜ, SURROUND+/- Ⓨ and CEN+/- Ⓩ on the remote control. While SUB+/- Ⓩ on the remote control or SUB+ ⑦ and SUB- ⑧ on the control panel of the subwoofer (see Fig. 1) can adjust the subwoofer volume level.

### 2D/3D sound

- To select between 2D and 3D sound modes, press the 2.1/5.1 button (Ⓚ, Fig. 3) on the remote control or the subwoofer control panel (Ⓢ, Fig. 1), while your audio source is on. 3D or 2D mode inscription will illuminate on the display according to the selected mode. If 5.1 audio source (DVD) is connected and on, this feature is unavailable.

### Mute feature

- Press MUTE Ⓚ on remote control or button MUTE Ⓢ on control panel of subwoofer to temporarily turn off the sound. Press this button again to turn on the sound.

**Note.** If the speaker system is left unused for a long time, mind to switch off the device by using POWER On/Off switch and unplug it.

**6. TROUBLESHOOTING**

<b>Problem</b>	<b>Cause</b>	<b>Solution</b>
The HTSS does not turn on.	The HTSS isn't connected to a mains outlet.	Check the connection.
	The power switch is off.	Turn on the switch.
No sound.	Volume level is set at minimum value.	Adjust volume control knob.
	Improperly connected audio source.	Connect audio sources correctly.
There is too quiet sound of speakers.	Volume level is set at minimum value.	Adjust the volume control knob.
Distortion of sound.	Large amplitude of the input signal.	Turn down the source volume and the HTSS volume.
The remote control is not working.	The battery is discharged.	Replace the battery with a new one.
	There is direct sunlight.	Change the subwoofer or remote control location.
	Obstacle between the remote control and the subwoofer receiver.	Change the subwoofer or remote control location.
The FM/AM tuner is not working.	The FM/AM tuner is not connected.	Connect the FM/AM antenna.
	Poor reception of antennas.	Connect an external FM antenna or an AM antenna.

If none of the above methods can solve the problem, please seek professional advice at your nearest service center. Never attempt to repair the product yourself.

## 7. TECHNICAL SPECIFICATIONS

Parameter, measurement unit	Value	
<b>Speaker system</b>		
Output power (RMS), W	subwoofer	60
	satellites	5 × 15
Rated load resistance (per channel), Ohm	subwoofer	6
	satellites	4
Frequency response, Hz	40 – 20 000	
S/N ratio, dB	≥ 83	
Speaker diameters, mm	subwoofer	Ø 165
	satellite (center)	Ø 38 + 2 × Ø 100
	satellites (front, rear)	Ø 38 + Ø 100
Dimensions (W × H × D), mm	subwoofer	220 × 400 × 300
	satellite (center)	400 × 150 × 240
	satellites (front, rear)	240 × 150 × 140
Power supply, V/Hz	~230/50	
Weight, kg	21.5	
<b>Tuner</b>		
Frequency bands:		
AM (at 9 kHz step), kHz	522 ~ 1611	
FM (at 100 kHz step), MHz	87 ~ 108	
S/N ratio:		
AM, dB	> 45	
FM, dB	> 45	

**Notes:**

- **Technical specifications given in this table are supplemental information and cannot give occasion to claims.**
- **Technical specifications and package contents are subject to change without notice due to the improvement of SVEN production.**

## 5.1 Active Home Theater Speaker System

**SVEN**®  
YOU WANT – WE CAN



Модель: **BTR5-10**

Импортер в России: ООО «СКАНДИТРЕЛ», 111024, РФ, г. Москва, ул. Авиамоторная, д. 65, стр. 1.  
Уполномоченная организация в России: ООО «РТ-Ф», 105082, г. Москва, ул. Фридриха Энгельса, д. 75, стр. 5.  
Условия гарантийного обслуживания смотрите в гарантийном талоне или на сайте [www.sven.fi](http://www.sven.fi).  
Гарантийный срок: 12 мес. Срок службы: 5 лет.  
Производитель: «СВЕН ПТЕ. Лимитед», 176 Джу Чиаг Роуд, № 02-02, Сингапур, 427447.  
Произведено под контролем «Свен Скандинавия Лимитед», 48310, Финляндия, Котка, Котolahdentie, 15.  
Сделано в Китае.

Manufacturer: SVEN PTE. LTD, 176 Joo Chiat Road, № 02-02, Singapore, 427447. Produced under the control of Oy Sven Scandinavia Ltd. 15, Kotolahdentie, Kotka, Finland, 48310. Made in China.

© Registered Trademark of Oy **SVEN**  
Scandinavia Ltd. Finland.

**BTR5-10**