

SVEN®
YOU WANT – WE CAN

Soundbar with Wireless
Subwoofer

OPERATION MANUAL



SB-550

www.sven.fi

Congratulations on your purchase of the Sven speaker system!**COPYRIGHT**

© 2014. SVEN PTE. LTD. Version 1.0 (V 1.0).

This Manual and information contained in it are copyrighted. All rights reserved.

TRADEMARKS

All trademarks are the property of their legal holders.

NOTICE OF RESPONSIBILITY RESTRICTION

Despite the exerted efforts to make this Manual more exact, some discrepancies may occur. The information in this Manual is given on "as is" terms. The author and the publisher do not bear any liability to a person or an organization for loss or damage which has arisen from the information contained in this Manual.

CONTENTS

| | |
|---|----------|
| 1. BUYER RECOMMENDATIONS | 1 |
| 2. PACKAGE CONTENTS | 2 |
| 3. SAFETY PRECAUTIONS | 2 |
| 4. TECHNICAL DESCRIPTION | 2 |
| 5. PREPARATION AND OPERATION | 4 |
| 6. TROUBLESHOOTING | 7 |
| 7. TECHNICAL SPECIFICATIONS | 7 |

1. BUYER RECOMMENDATIONS

- Unpack the device carefully. Make sure there are no accessories left in the box. Check up the device for damage; if the product was damaged during transportation, address the firm which carried out the delivery; if the product functions incorrectly, address the dealer at once.
- Check up the package contents and availability of the warranty card. Make sure the warranty card has a shop stamp, a legible signature or the seller's stamp and purchase date, and the goods number corresponds to that in the warranty card.
- Do not switch on the speaker system immediately after you bring it into a room from environment with negative temperature! After unpacking, the speaker system should be kept in conditions of room temperature for at least 4 hours.
- Before installing and using the speaker system, read this Manual carefully and keep it for future reference.

Technical support is on www.sven.fi.

2. PACKAGE CONTENTS

- Subwoofer – 1 pc
- Soundbar (3 elements when unassembled: center control bar, left speaker, right speaker) – 1 pc
- Remote control – 1 pc
- CR-2025 battery (installed in the RC) – 1 pc
- Mini-jack to mini-jack signal cable – 1 pc
- 3 RCA to 3 RCA composite AV cable – 1 pc
- Power adapter – 1 pc
- Power cable – 1 pc
- Fixing axle – 2 pcs
- Table stand – 1 pc
- Wall-mounting set:
 - 3 × 8 mm screw – 2 pcs
 - 4 × 35 mm self-driving screw – 2 pcs
 - rubber stopper (for attaching the screws to the wall) – 2 pcs
 - wall-mounting bracket – 1 pc
- Operation manual – 1 pc
- Warranty card – 1 pc

3. SAFETY PRECAUTIONS



Caution! High voltage inside! To avoid the risk of electric shock do not open or touch elements inside.

- To avoid electric shock, do not open the MSS and do not perform repairs by yourself. Service and repairs should be performed only by qualified specialists in an authorized service center. The list of authorized service centers is available on www.sven.fi.
- Do not put foreign objects inside the holes of the MSS.
- Protect the MSS from high humidity, water and dust.
- Protect the MSS from heating: do not place it closer than 1 m from a heat source. Do not expose it to direct sunlight.
- Do not place any open flame sources on or close to MSS.
- Do not place the MSS in poorly ventilated areas. Leave an air gap of 10 cm or more. When operating the MSS, do not put any devices on it, do not cover it with cloth or other objects preventing it from cooling.
- Do not use any chemical agents for cleaning. Clean it with dry soft cloth only.

4. TECHNICAL DESCRIPTION

SB-550 soundbar with a wireless subwoofer provides virtual surround sound. The device is designed for playing music and sounding games, movies, etc. The soundbar is equipped with a built-in power amplifier and an equalizer, and compatible with TVs and DVD/CD/Media players. Remote control is included.

Operation Manual

SB-550

Special features

- Gamepad, TV, DVD/CD/Media player compatible
- Wireless pairing with the subwoofer
- Wall mountable soundbar
- Separate subwoofer volume control
- Built-in equalizer
- LED display
- 2 HDMI inputs
- HDMI output for video signal transmission
- Remote control
- Wooden (MDF) subwoofer cabinet

Soundbar front and rear control panels

- ① Power LED
- ② POWER/STANDBY: power on/off button
- ③ SOURCE: audio source selection button
- ④ Digital LED display
- ⑤ VOLUME-: volume down button
- ⑥ VOLUME+: volume up button
- ⑦ Table stand
- ⑧ DC IN: power cable connection jack
- ⑨ Line IN: line input jack
- ⑩ VIDEO 1: video signal input jack 1
- ⑪ L/R: audio signal input jacks 1
- ⑫ VIDEO 2: video signal input jack 2
- ⑬ L/R: audio signal input jacks 2
- ⑭ VIDEO OUT: video signal output jack
- ⑮ PAIR: wireless pairing button
- ⑯ HDMI IN 1: high-resolution HDMI input 1
- ⑰ HDMI IN 2: high-resolution HDMI input 2
- ⑱ HDMI OUT: high-resolution HDMI output

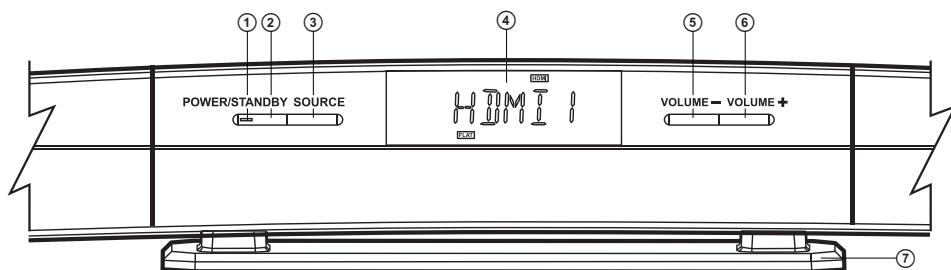


Fig. 1. Front control panel

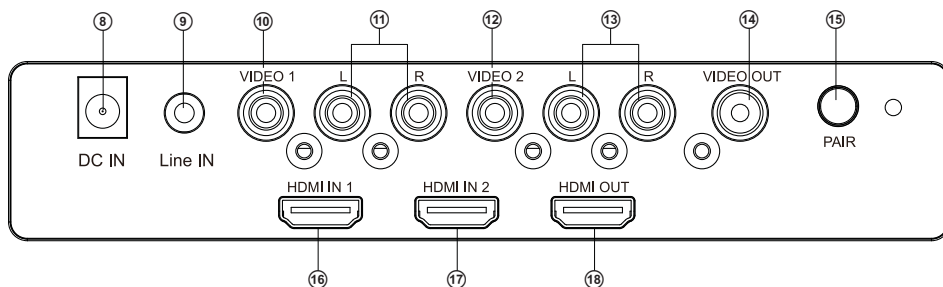


Fig. 2. Rear control panel

Remote control

- ① : go to standby mode
- ② VOL+: master volume up button
- ③ SUB-: subwoofer volume down button
- ④ VOL-: master volume down button
- ⑤ EQ: equalizer option (Flat, Rock, Pop, Classic, Jazz) selection button
- ⑥ SOURCE: signal source selection button
- ⑦ SUB+: subwoofer volume up button
- ⑧ MUTE+: sound off/on button

Note. Before operating the RC, extract the installed battery, remove the insulation strip the battery is packed with to avoid discharging during transportation, and insert the battery back into the RC.

5. PREPARATION AND OPERATION

Table placement

- The soundbar is packaged unassembled. Attach the left and right speakers to the center bar with the fixing axes, (Steps 1 and 2, Fig. 4). Then connect the table stand to the bottom of the soundbar (Step 3, Fig. 4) and place the device on the table. The wireless subwoofer emits non-directional sound, therefore it can be located in any place of the room where it sounds the best. The installation is complete.

Wall mounting

- It's recommended that the soundbar be wall mounted under the TV set.
- Mark the places for mounting the bracket. Place the bracket against the wall and mark two locations where the bracket will be secured. Place the bracket aside.
- Drill holes on the marked locations. Insert a rubber stopper into each hole (Step 1, Fig. 5).
- Screw the 4 × 35 mm self-driving screws into the rubber stoppers (Step 2, Fig. 5) so that the soundbar can be fixed on them.
- Attach the bracket to the previously assembled soundbar with 3 × 8 mm screws (Step 3, Fig. 5).
- Fix the soundbar on the screws attached to the wall (Step 4, Fig. 5), and tighten the screws hard.

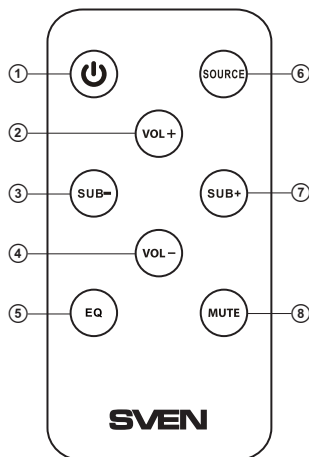


Fig. 3. Remote control

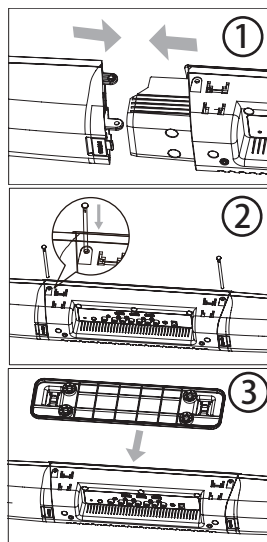


Fig. 4. Soundbar assembly

Operation Manual

SB-550

MSS connecting and control

SB-550 soundbar with a wireless subwoofer can be connected to virtually any audio source: DVD/CD player, TV, PC, laptop, etc. (see connection diagram in Fig. 6).

- Connect the power cable with the power adapter (included). Then connect it to the the DC IN Ⓢ jack of the soundbar (see Fig. 6). Connect the subwoofer power cable to the mains outlet.

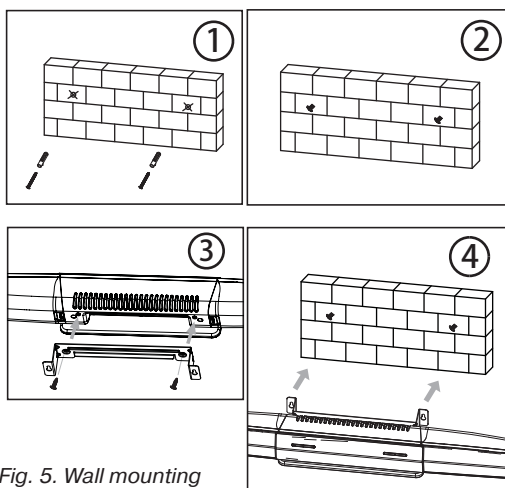


Fig. 5. Wall mounting

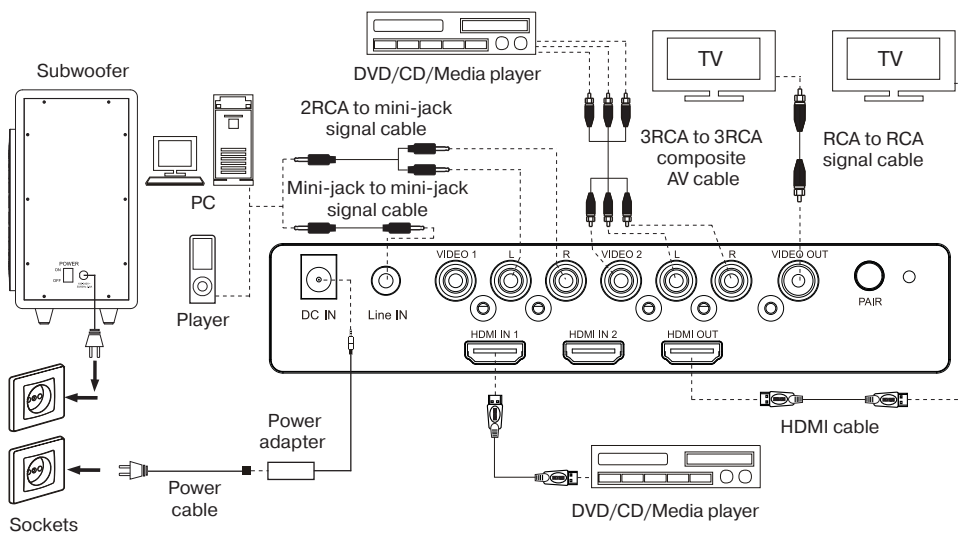


Fig. 6. Connection diagram

- To connect Speaker System to PCs, MP3/CD-players use included mini-jack to mini-jack signal cable or 2RCA to mini-jack signal cable (not included). Connection diagram is shown in Fig. 6.
- To connect the system to a DVD/CD-player or a TV, use the 3RCA to 3RCA composite AV cable (included). Insert the plugs of the 3 RCA to 3 RCA composite AV cable into the VIDEO 1 ⑩ or VIDEO 2 ⑫ input jack and the audio input jacks (⑪ or ⑬) of the soundbar, and the opposite plugs – into the video and audio output jacks of your DVD/CD player or a TV. Match the RCA plugs and jacks by colour (yellow to yellow, red to red, white to white). Then connect the VIDEO OUT ⑭ jack of the soundbar to your TV input jack, as shown in the diagram (Fig. 6).
- To connect the system to a TV and a DVD/CD player with HDMI connectors*, use HDMI cables (not included). Connect the HDMI output jack of your DVD/CD player to the HDMI 1 ⑯ or HDMI 2 ⑰ input jack of the soundbar with your HDMI cable, and use another HDMI cable to connect the HDMI OUT ⑱ jack of the soundbar to the HDMI jack of your TV (Fig. 6).
- Connect the power adapter to the mains outlet. The power LED ① on the front control panel will light up. Then switch on the subwoofer with the POWER switch (ON position) on the subwoofer rear panel.
- To switch on the soundbar, press button ① on the control panel or button ① on the remote control. The LED display ④ will light up. To switch the soundbar off, press the Standby mode button again.
- When the system is switched on for the first time, the blue LEDs will flash both on the display ④ and on the subwoofer front panel.
- To initiate the wireless pairing of the soundbar and the subwoofer, press the PAIR ⑮ button on the soundbar rear panel, and the blue LED will flash rapidly. Then press the PAIR button on the subwoofer front panel and hold it down for 3-5 seconds. Or press both PAIR buttons (on the soundbar and the subwoofer) at the same time and hold them down for 3-5 seconds.
- As soon as the pairing has been completed, the blue LED will stop flashing**. The system is ready for operation.
- Press the SOURCE ⑥ button and select the signal source. The display ④ will show the following inscriptions: HDMI 1, HDMI 2, AUXIN, AV1, AV2***.
- Adjust the master volume with the VOL+ ② and VOL- ④ buttons on the RC.
- Adjust the subwoofer volume with the SUB+ ⑦ and SUB- ③ buttons on the RC.
- Select the equalizer option (Flat, Rock, Pop, Classic, Jazz) by pressing the EQ ⑤ button on the RC.
- Press the MUTE ⑧ button on the remote control to turn off the sound. To turn the sound on again, press any of these buttons: MUTE ⑧, VOL+ ②, VOL- ④, SUB- ③, SUB+ ⑦, EQ ⑤ or SOURCE ⑥.
- After using the MSS, mind to switch it off using button ① on the RC, switch off the subwoofer using the POWER switch (OFF position) on the subwoofer rear panel and unplug the power adapter from the socket.

* With HDMI Version 1.3 interface.

** If the pairing has been completed once, there is no need to manually initiate the pairing again.

*** HDMI indicates the options HDMI 1 > HDMI 2; AUX indicates the options AUXIN > AV1 > AV2.

Note. Due to the constant development of the software, the actual MSS operation may differ from that described in this manual. The most recent version of the manual is available at www.sven.fi.

6. TROUBLESHOOTING

| Problem | Cause | Solution |
|-------------------------------------|--|---|
| The system does not turn on. | The system is not connected to a mains outlet. | Check the connection. |
| | The power adapter is not connected. | Connect the power adapter. |
| No sound or the sound is too quiet. | Volume level is set at minimum value. | Adjust the volume control knob. |
| | Improperly connected audio source. | Connect the audio sources correctly. |
| Distortion of sound. | Large amplitude of the input signal. | Turn down the source volume and the MSS volume. |
| The remote control is not working. | The battery is discharged. | Replace the battery with a new one. |

If none of the above methods can solve the problem, please seek professional advice at your nearest service center. Never attempt to repair the product yourself.

7. TECHNICAL SPECIFICATIONS

| Parameter, measurement unit | Value |
|---|---|
| Maximum power, W soundbar subwoofer | 300 (2 × 75 + 150) 2 × 75 150 |
| Output power (RMS), W | 80 (2 × 20 + 40) |
| Frequency response, Hz soundbar subwoofer | 150 – 22,000 30 – 150 |
| Speaker diameter, mm soundbar subwoofer | midrange (4 × Ø 57); tweeter (2 × Ø 25.4) Ø 165 |
| Voltage supply, V/Hz | ~100-240/50 |
| Power adapter | DC 18V/3A |
| Dimensions, mm soundbar subwoofer | 940 × 100 × 86 (133 with mounting bracket) 170 × 325 × 330 |
| Weight, kg | 8.3 |

Notes:

• **Technical specifications given in this table are supplemental information and cannot give occasion to claims.**

• **Technical specifications and package contents are subject to change without notice due to the improvement of SVEN production.**

Soundbar with Wireless Subwoofer

SVEN®
YOU WANT – WE CAN



Модель: **SB-550**

Импортер в России: ООО «СКАНДИТРЕЛ»,
111024, РФ, г. Москва, ул. Авиамоторная, д. 65, стр. 1.
Уполномоченная организация в России: ООО «РТ-Ф»,
105082, г. Москва, ул. Фридриха Энгельса, д. 75, стр. 5.
Условия гарантийного обслуживания смотрите
в гарантийном талоне или на сайте **www.sven.fi**.

Гарантийный срок: 12 мес.

Срок службы: 5 лет.

Производитель: «СВЕН ПТЕ. Лимитед», 176

Джу Чиаг Роуд, № 02-02, Сингапур, 427447.

Произведено под контролем «Свен Скандинавия

Лимитед», 48310, Финляндия, Котка,

Котлахдентие, 15. Сделано в Китае.

Manufacturer: SVEN PTE. LTD, 176 Joo Chiat Road,
№ 02-02, Singapore, 427447. Produced under the
control of Oy Sven Scandinavia Ltd. 15, Kotolahdentie,
Kotka, Finland, 48310. Made in China.

© Registered Trademark of Oy SVEN
Scandinavia Ltd. Finland.

SB-550