

SVEN®
YOU WANT – WE CAN

2.1 Multimedia Speaker System

OPERATION MANUAL



MS-970

www.sven.fi

Congratulations on your purchase of the Sven speaker system!**COPYRIGHT**

© 2014. SVEN PTE. LTD. Version 1.0 (V 1.0).

This Manual and information contained in it are copyrighted. All rights reserved.

TRADEMARKS

All trademarks are the property of their legal holders.

NOTICE OF RESPONSIBILITY RESTRICTION

Despite the exerted efforts to make this Manual more exact, some discrepancies may occur. The information in this Manual is given on «as is» terms. The author and the publisher do not bear any liability to a person or an organization for loss or damage which has arisen from the information contained in this Manual.

CONTENTS

1. BUYER RECOMMENDATIONS	1
2. PACKAGE CONTENTS	2
3. SAFETY PRECAUTIONS	2
4. TECHNICAL DESCRIPTION	2
5. PREPARATION AND OPERATION	3
6. TROUBLESHOOTING	5
7. TECHNICAL SPECIFICATIONS	5

1. BUYER RECOMMENDATIONS

- Unpack the device carefully. Make sure there are no accessories left in the box. Check up the device for damage; if the product was damaged during transportation, address the firm which carried out the delivery; if the product functions incorrectly, address the dealer at once.
- Check up the package contents and availability of the warranty card. Make sure the warranty card has a shop stamp, a legible signature or the seller's stamp and purchase date, and the goods number corresponds to that in the warranty card.
- Do not switch on the speaker system immediately after you bring it into a room from environment with negative temperature! After unpacking, the speaker system should be kept in conditions of room temperature for at least 4 hours.
- Before installing and using the speaker system, read this Manual carefully and keep it for future reference.

2. PACKAGE CONTENTS

- Subwoofer – 1 pc
- Satellites – 2 pcs
- 2RCA to mini-jack (Ø 3.5 mm) signal cable – 1 pc
- Acoustic cable – 2 pcs
- Operation manual – 1 pc
- Warranty card – 1 pc

3. SAFETY PRECAUTIONS



Caution! High voltage inside! To avoid the risk of electric shock do not open or touch elements inside.

- To avoid electric shock, do not open the MSS and do not perform repairs by yourself. Service and repairs should be performed only by qualified specialists in an authorized service center. The list of authorized service centers is available on www.sven.fi
- Do not allow the circuit of wires (including the grounded ones) between the speakers, on the power amplifier or the ground, for it causes damage to the power amplifier output stage.
- Do not touch the MSS power cord plug pins for 2 seconds after unplugging it from the mains.
- Disconnect the MSS from the mains system during a fuse replacement. Use fuses of the same type and rated value. Do not use hand-made fuses.
- Do not put foreign objects inside the holes of the MSS.
- Protect the MSS from high humidity, water and dust.
- Protect the MSS from heating: do not place it closer than 1 m from a heat source. Do not expose it to direct sunlight.
- Do not place any open flame sources on or close to MSS.
- Do not place the MSS in poorly ventilated areas. Leave an air gap of 10 cm or more. When operating the MSS, do not put any devices on it, do not cover it with cloth or other objects preventing it from cooling.
- Do not use any chemical agents for cleaning. Clean it with dry soft cloth only.

4. TECHNICAL DESCRIPTION

MS-970 Multimedia Speaker System 2.1 (MSS) is designed to play music and sound games, movies etc. The MSS has a built-in amplifier, due to which it can be connected to virtually any audio source (CD/DVD-player, TV, PC, etc.) without using an additional power amplifier.

Special features

- Speaker system is compatible with PCs, DVD/Media-players, mobile devices and other sound sources
- Separate master volume control, timbre control and balance control
- Subwoofer volume control
- Convenient control on the front panel
- Headphone jack
- High quality silk tweeters
- Magnetic shielding
- Wall-mounted speakers
- MDF subwoofer and satellites cabinets

Front and rear subwoofer panels

- ① VOLUME: master volume control knob
- ② TREBLE: TREBLE control knob
- ③ BASS: BASS control knob
- ④ BALANCE: BALANCE control knob
- ⑤ SUB. VOL: subwoofer volume control knob
- ⑥ EARPHONE OUT: headphone jack
- ⑦ POWER ON/OFF: POWER switch
- ⑧ POWER: POWER LED
- ⑨ AUDIO INPUT L/R: audio source input
- ⑩ SPEAKERS OUT L/R: satellite outputs
- ⑪ Power cord

5. PREPARATION AND OPERATION

Speaker placement

- Place the speakers symmetrically to the listener at the distance not less than one meter, speakers can be wall-mounted.
- The subwoofer emits non-directional sound, therefore it can be located in any place of the room, where it will sound to the best advantage.
- Place MSS far away from monitors and TV sets, as insignificant image distortion in these supersensitive devices is possible.

MSS connecting and control

MS-970 Multimedia Speaker System can be connected to virtually any audio source: DVD/CD, PC sound card, etc. (see connection diagram, Fig. 3).

- Before connecting make sure that the MSS is switched off. Then, observing polarity (see Fig. 3), connect the audio cables first to the jacks of the speakers, and then into SPEAKERS OUT L/R ⑩ of the subwoofer. The positive (red) terminals of the subwoofer must be connected to the red terminals of speakers (+ → +), and the negative (black) terminals of the subwoofer must be connected to the black terminals of the speakers (- → -).

- Connect the included 2RCA jacks of the signal cable to AUDIO INPUT ⑨ L and R jacks of the subwoofer, and insert the mini-jack (Ø 3.5 mm) of the signal cable into LINE OUT port of the PC sound card or OUTPUT of the DVD/CD/MP3-player. To connect the device to OUTPUT of the DVD/CD/MP3-player or TV, use the 2RCA to mini-jack signal cable (included) + mini-jack to 2RCA adapter (not included) or 2RCA to 2RCA signal cable (not included).

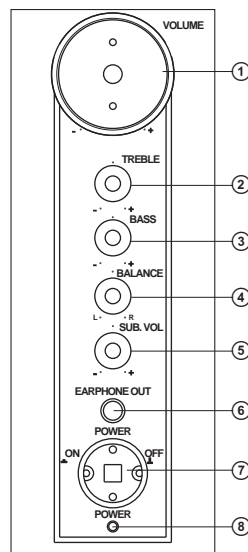


Fig. 1. Subwoofer front panel

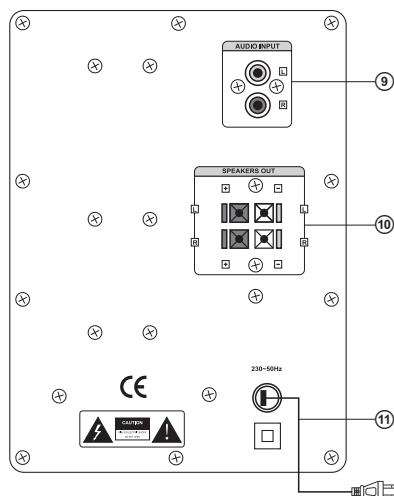


Fig. 2. Subwoofer rear panel

2.1 Multimedia Speaker System

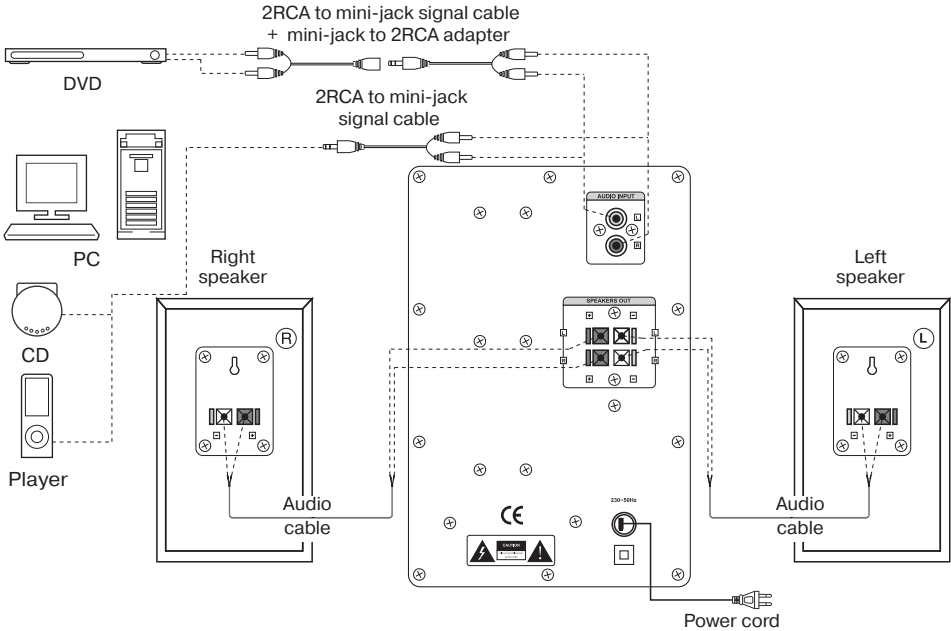


Fig. 3. Connection diagram

Notes. Sound quality is directly affected by correctness and reliability of the connection of cables. It is recommended to use cables that are included in the package contents of the MSS. Usually, the right channel is marked in red, and the left channel is marked in white.

- Adjust volume control knob VOLUME ① on the subwoofer to its minimum (by turning the Volume control knob counterclockwise as far as it would go), then connect the subwoofer to a mains outlet via the built-in power cord ⑩.
- Switch on the subwoofer by shifting POWER ON/OFF switch ⑦ into ON position on the subwoofer front panel, power LED ⑧ lights up. Then turn on the audio source and adjust the subwoofer volume level by volume control knob VOLUME ①, bass level, treble level, subwoofer volume level by BASS control knob ③, TREBLE control knob ② and SUB. VOL control knob ⑤ respectively.
- Connect the headphones to the headphone jack EARPHONE OUT ⑥ on the subwoofer front panel.

Notes:

- If MSS won't be used for a long time, please mind to switch it off ⑦ (position OFF) on the subwoofer front panel and unplug it ⑩.
- To enhance sound quality, use Line-Out output of the sound card.

6. TROUBLESHOOTING

Problem	Cause	Solution
The MSS does not turn on.	The MSS is not connected to the mains outlet.	Check the connection.
	Power switch is off.	Turn on the switch.
No sound or sound of speakers is too quiet.	Volume level is set at minimum value.	Adjust the volume control knob.
	The audio source is improperly connected.	Connect audio sources correctly.
Distortion of sound.	Large amplitude of the input signal.	Turn down the source volume and MSS volume.

If none of the above methods can solve the problem, please seek professional advice at your nearest service center. Never attempt to repair the product yourself.

7. TECHNICAL SPECIFICATIONS

Parameter, measurement unit	Value
Output power (RMS), W subwoofer satellites	70 (30 + 2 × 20) 30 2 × 20
Frequency range, Hz subwoofer satellites	50 – 140 140 – 20 000
Speaker diameters, mm subwoofer satellites (full-range driver + tweeter)	Ø 165 Ø 100 + Ø 20
Power supply, V / Hz	~220/50
Dimensions (W × H × D), mm subwoofer satellites (one speaker)	192 × 295 × 305 145 × 230 × 130
Weight, kg	10.25

Notes:

- *Technical specification given in this table is supplemental information and can not give occasion to claims.*
- *Technical specification is subject to change without notice due to improvement of SVEN production.*

2.1 Multimedia Speaker System

SVEN®
YOU WANT – WE CAN



Модель: MS-970

Импортер в России: ООО «СКАНДИТРЕЛ»,
111024, РФ, г. Москва, ул. Авиамоторная, д. 65, стр. 1.
Уполномоченная организация в России: ООО «РТ-Ф»,
105082, г. Москва, ул. Фридриха Энгельса, д. 75, стр. 5.
Условия гарантийного обслуживания смотрите
в гарантийном талоне или на сайте www.sven.fi
Гарантийный срок: 12 мес. Срок службы: 5 лет.
Производитель: «СВЕН ПТЕ. Лимитед», 176
Джу Чиаг Роуд, № 02-02, Сингапур, 427447.
Произведено под контролем «Свен Скандинавия
Лимитед», 48310, Финляндия, Котка, Котолахдентие,
15. Сделано в Китае.

Manufacturer: SVEN PTE. LTD., 176 Joo Chiat Road,
№ 02-02, Singapore, 427447. Produced under the
control of Oy Sven Scandinavia Ltd. 15, Kotolahdentie,
Kotka, Finland, 48310. Made in China.

© Registered Trademark of Oy SVEN
Scandinavia Ltd. Finland.

MS-970