

**SVEN**®  
YOU WANT – WE CAN

2.1 Multimedia Speaker System

# OPERATION MANUAL



**MS-370**

[www.sven.fi](http://www.sven.fi)

***Congratulations on your purchase of the Sven speaker system!*****COPYRIGHT**

© 2014. SVEN PTE. LTD. Version 1.0 (V 1.0).

This Manual and information contained in it are copyrighted. All rights reserved.

**TRADEMARKS**

All trademarks are the property of their legal holders.

**NOTICE OF RESPONSIBILITY RESTRICTION**

Despite the exerted efforts to make this Manual more exact, some discrepancies may occur. The information in this Manual is given on «as is» terms. The author and the publisher do not bear any liability to a person or an organization for loss or damage which has arisen from the information contained in this Manual.

**CONTENTS**

<b>1. BUYER RECOMMENDATIONS</b> .....	<b>1</b>
<b>2. PACKAGE CONTENTS</b> .....	<b>2</b>
<b>3. SAFETY PRECAUTIONS</b> .....	<b>2</b>
<b>4. TECHNICAL DESCRIPTION</b> .....	<b>2</b>
<b>5. PREPARATION AND OPERATION</b> .....	<b>4</b>
<b>6. TROUBLESHOOTING</b> .....	<b>6</b>
<b>7. TECHNICAL SPECIFICATIONS</b> .....	<b>7</b>

**1. BUYER RECOMMENDATIONS**

- Unpack the device carefully. Make sure there are no accessories left in the box. Check up the device for damage; if the product was damaged during transportation, address the firm which carried out the delivery; if the product functions incorrectly, address the dealer at once.
- Check up the package contents and availability of the warranty card. Make sure the warranty card has a shop stamp, a legible signature or the seller's stamp and purchase date, and the goods number corresponds to that in the warranty card.
- Do not switch on the speaker system immediately after you bring it into a room from environment with negative temperature! After unpacking, the speaker system should be kept in conditions of room temperature for at least 4 hours.
- Before installing and using the speaker system, read this Manual carefully and keep it for future reference.

## 2. PACKAGE CONTENTS

- Subwoofer — 1 pc
- Satellites — 2 pcs
- Audio cable — 2 pcs
- 2RCA to mini-jack signal cable — 1 pc
- 2RCA to 2RCA signal cable — 1 pc
- Remote control — 1 pc
- AAA type batteries — 2 pcs
- Operation manual — 1 pc
- Warranty card — 1 pc

## 3. SAFETY PRECAUTIONS



**Caution! High voltage inside! To avoid the risk of electric shock do not open or touch elements inside.**

- To avoid electric shock, do not open the MSS and do not perform repairs by yourself. Service and repairs should be performed only by qualified specialists in an authorized service center. The list of authorized service centers is available on [www.sven.fi](http://www.sven.fi)
- Do not allow the circuit of wires (including the grounded ones) between the speakers, on the power amplifier or the ground, for it causes damage to the power amplifier output stage.
- Do not touch the MSS power cord plug pins for 2 seconds after unplugging it from the mains.
- Disconnect the MSS from the mains system during a fuse replacement. Use fuses of the same type and rated value. Do not use hand-made fuses.
- Do not put foreign objects inside the holes of the MSS.
- Protect the MSS from high humidity, water and dust.
- Protect the MSS from heating: do not place it closer than 1 m from a heat source. Do not expose it to direct sunlight.
- Do not place any open flame sources on or close to MSS.
- Do not place the MSS in poorly ventilated areas. Leave an air gap of 10 cm or more. When operating the MSS, do not put any devices on it, do not cover it with cloth or other objects preventing it from cooling.
- Do not use any chemical agents for cleaning. Clean it with dry soft cloth only.

## 4. TECHNICAL DESCRIPTION

MS-370 Multimedia Speaker System 2.1 (MSS) is designed to play music and sound games, movies etc. MSS has built-in power amplifier, acoustic cables built-in satellites due to which it can be connected to virtually any audio source (CD/DVD-player, TV, PC, etc.) without an additional power amplifier. Remote control is included.

### Special features

- Built-in transformer power source
- Three audio inputs
- Volume control, treble control, subwoofer control
- Balance control between left and right channels
- Remote control

# Operation Manual

# MS-370

- Connected audio device LED
- Magnetic shielding
- MDF subwoofer and satellites cabinets

## Front and rear subwoofer panels

- ① Subwoofer: subwoofer volume control knob
- ② Treble: treble control knob
- ③ Balance: balance control knob between left and right channels
- ④ TV: LED TV on
- ⑤ PC: LED PC on
- ⑥ TV turn on button
- ⑦ PC turn on button
- ⑧ Master Volume: volume control knob
- ⑨ AUX: LED AUX on
- ⑩ IR receiver display
- ⑪ AUX turn on button
- ⑫ AUDIO INPUT: TV, PC, AUX inputs
- ⑬ AUDIO OUTPUT: satellites input
- ⑭ ON/OFF: power ON/OFF switch
- ⑮ Power cord

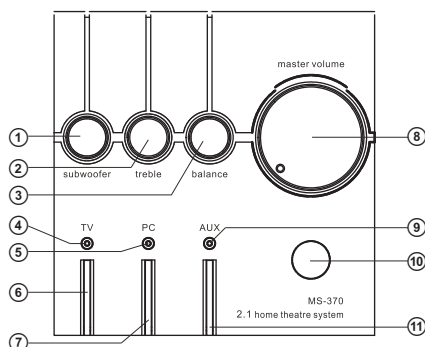


Fig. 1. Subwoofer control panel

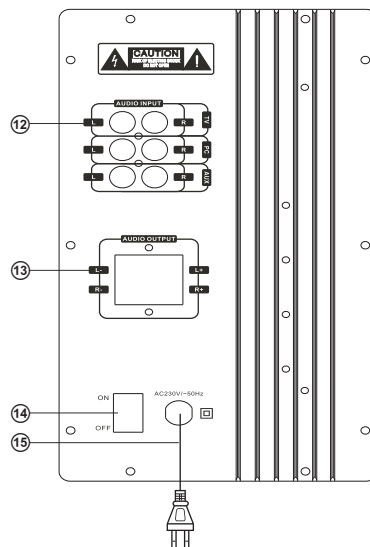


Fig. 2. Subwoofer rear panel

**Remote control**

- ① STANDBY: STANDBY button
- ② SUB+/-: subwoofer volume control buttons
- ③ PC: PC turn on button
- ④ TV: TV turn on button
- ⑤ LEFT BAL+/RIGHT BAL+: balance control buttons between left and right channels
- ⑥ RESET: return button to factory settings
- ⑦ MUTE: MUTE button
- ⑧ TREBLE+/-: treble level control buttons
- ⑨ AUX-: AUX turn on button
- ⑩ VOL+/-: volume control buttons

**Remote control battery installation**

- Open battery compartment on the back of remote control.
- Input AAA type batteries (included), sticking to polarity.
- Close the battery compartment.

**Notes:**

- **Use remote control at an angle not more than 30° at a distance not more than 7 meters.**
- **Direct remote control at the IR receiver display on subwoofer.**
- **If remote control does not work, check the batteries or replace the discharged batteries for new one.**
- **Remove the battery from remote control, unless you intend to use it for a long time (more than a week).**
- **Keep remote control in a clean, dry place.**

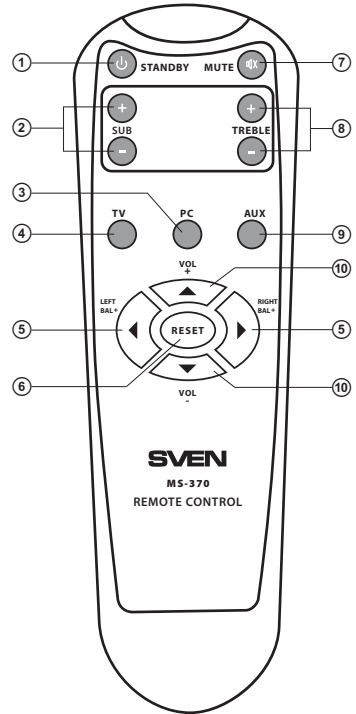


Fig. 3. Remote control

**5. PREPARATION AND OPERATION**

**Speaker placement**

- Place the speakers symmetrically to the listener at the distance not less than one meter. The subwoofer emits non-directional sound, therefore it can be located in any place of the room, where it will sound to the best advantage.
- Place MSS far away from monitors and TV sets, as insignificant image distortion in these super-sensitive devices is possible.

**MSS connecting and control**

MS-370 Multimedia Speaker System can be connected to virtually any audio source: DVD/CD, PC, laptop, etc. (see connection diagram in Fig. 4).

- Before connecting make sure that MSS is switched off. Then connect subwoofer AUDIO OUTPUT jacks ⑬ with satellite by using audio cables (included) (see diagram in Fig. 4), sticking to polarity.
- To connect MSS to TV, DVD/CD-players, 2RCA to 2RCA stereo signal cable (included) should be used, as shown in Fig. 4.

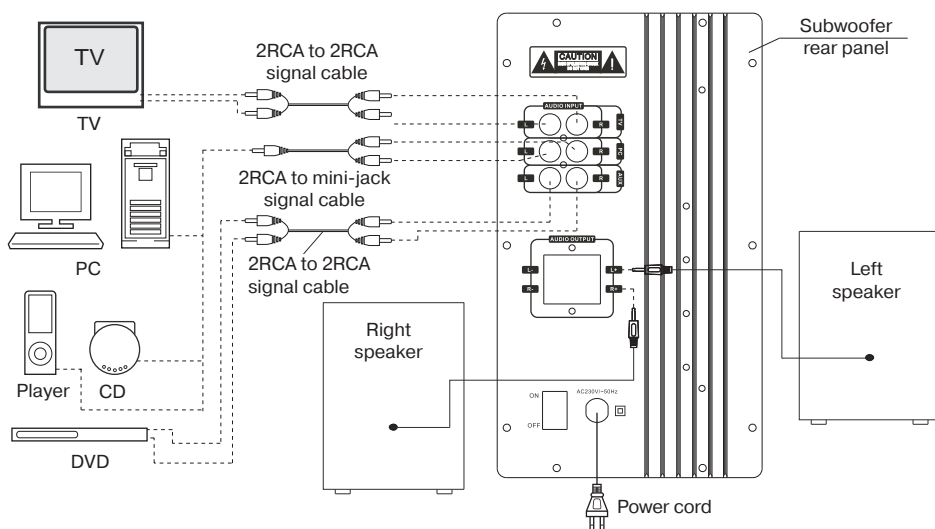


Fig. 4. Connection diagram

- To connect MSS to PC, MP3/CD-players, 2RCA to mini-jack stereo signal cable (included) should be used, as shown in Fig. 4.

**Note. Sound quality is directly affected by correctness and reliability of the connection of cables. It is recommended to use cables that are included to the package contents of MSS.**

- Adjust Master Volume (8), Subwoofer (1), Balance (3) control knobs to its minimum then connect MSS to mains outlet via built-in power cord (15).

- Switch on subwoofer by ON/OFF button (14, position ON) on the subwoofer rear panel. Then turn on audio source by using buttons (6) TV, (7) PC or (11) AUX on the subwoofer control panel (4) TV, (3) PC or (9) AUX buttons by using remote control). Depending on turned on source, subwoofer control panel indicators TV (4), PC (5) or AUX (9) will illuminate.

- Adjust volume level and subwoofer volume level by Master Volume (8) and Subwoofer (1) control knobs respectively. While turning the knob clockwise, volume level increases, but while turning it counterclockwise, it reduces. Also, volume level and subwoofer volume level can be adjusted by using buttons VOL+/- (10) and SUB+/- (2) on the remote control accordingly.

- Adjust treble level by turning Treble control knob (2) or by using TREBLE+/- buttons (8) on remote control. While turning the knob clockwise, treble and bass levels increase, but while turning it counterclockwise, it reduce.

- Adjust balance level between left and right channels by control knob Balance (3) or by using LEFT BAL+/RIGHT BAL+ buttons (5) on remote control.

**Notes:**

- If MSS has not been used for a long time, please mind to switch off (14) (position OFF) on the subwoofer rear panel, and unplug power cord (15).

- *To enhance sound quality, use Line-Out output of sound card.*
- *In spite of MSS has three audio inputs at the same time you can turn on only the one audio source: TV, PC or AUX.*

## 6. TROUBLESHOOTING

Problem	Cause	Solution
MSS does not turn on.	MSS is not connected to the mains outlet.	Check the connection.
	Power switch is off.	Turn on the switch.
No sound.	Volume level is set at minimum value.	Adjust volume control knob.
	Improperly connected audio source.	Connect audio sources correctly.
There is too quiet sound of speakers.	Volume level is set at minimum value.	Adjust volume control knob.
Distortion of sound.	Large amplitude of the input signal.	Turn down source volume and MSS volume.
Sound is produced by one of the channels only.	Improperly connected speakers to audio source.	Check the connection of speakers.
Remote control is not working.	The battery is discharged.	Change battery for new one.
	There is direct sunlight.	Change location of subwoofer or remote control.
	Obstacle between remote control and subwoofer receiver.	Change the subwoofer or remote control location.

If none of the above mentioned solutions removes the problem, please refer to nearest authorized service center for consultation by qualified specialist. Never try to repair the device on your own.

## 7. TECHNICAL SPECIFICATIONS

Parameter, measurement unit	Value
Output power (RMS), W subwoofer satellites	90 (total) 50 2 × 20
Frequency range, Hz	45 – 20 000
S/N ratio, dB	≥ 70
Speaker diameter, mm subwoofer satellites (tweeter + midrange)	Ø 165 Ø 25 + Ø 100
Power supply, V / Hz	~220/50
Dimensions (W × H × D), mm subwoofer satellites (one speaker)	220 × 422 × 324 139 × 198 × 156
Weight, kg	14.3

**Notes:**

- **Technical specifications given in this table are supplemental information and cannot give occasion to claims.**
- **Technical specifications are subject to change without notice due to the improvement of SVEN production.**



## 2.1 Multimedia Speaker System

**SVEN**®  
YOU WANT – WE CAN



**Модель: MS-370**

Импортер в России: ООО «СКАНДИТРЕЛ»,  
111024, РФ, г. Москва, ул. Авиамоторная, д. 65, стр. 1.

Уполномоченная организация в России: ООО «РТ-Ф»,  
105082, г. Москва, ул. Фридриха Энгельса, д. 75, стр. 5.

Условия гарантийного обслуживания смотрите

в гарантийном талоне или на сайте [www.sven.fi](http://www.sven.fi)

Гарантийный срок: 12 мес.

Срок службы: 5 лет.

Производитель: «СВЕН ПТЕ. Лимитед», 176

Джу Чиаг Роуд, № 02-02, Сингапур, 427447.

Произведено под контролем «Свен Скандинавия  
Лимитед», 48310, Финляндия, Котка, Котolahdentie,  
15. Сделано в Китае.

Manufacturer: SVEN PTE. LTD, 176 Joo Chiat Road,  
№ 02-02, Singapore, 427447. Produced under the  
control of Oy Sven Scandinavia Ltd. 15, Kotolahdentie,  
Kotka, Finland, 48310. Made in China.

© Registered Trademark of Oy SVEN  
Scandinavia Ltd. Finland.

**MS-370**