

SVEN®
YOU WANT – WE CAN

2.1 Multimedia Speaker System

OPERATION MANUAL



MS-330

www.sven.fi

Congratulations on your purchase of the Sven speaker system!**COPYRIGHT**

© 2014. SVEN PTE. LTD. Version 1.0 (V 1.0).

This Manual and information contained in it are copyrighted. All rights reserved.

TRADEMARKS

All trademarks are the property of their legal holders.

NOTICE OF RESPONSIBILITY RESTRICTION

Despite the exerted efforts to make this Manual more exact, some discrepancies may occur. The information in this Manual is given on «as is» terms. The author and the publisher do not bear any liability to a person or an organization for loss or damage which has arisen from the information contained in this Manual.

CONTENTS

1. BUYER RECOMMENDATIONS	1
2. PACKAGE CONTENTS	2
3. SAFETY PRECAUTIONS	2
4. TECHNICAL DESCRIPTION	2
5. PREPARATION AND OPERATION	3
6. TROUBLESHOOTING	5
7. TECHNICAL SPECIFICATIONS	6

1. BUYER RECOMMENDATIONS

- Unpack the device carefully. Make sure there are no accessories left in the box. Check up the device for damage; if the product was damaged during transportation, address the firm which carried out the delivery; if the product functions incorrectly, address the dealer at once.
- Check up the package contents and availability of the warranty card. Make sure the warranty card has a shop stamp, a legible signature or the seller's stamp and purchase date, and the goods number corresponds to that in the warranty card.
- Do not switch on the speaker system immediately after you bring it into a room from environment with negative temperature! After unpacking, the speaker system should be kept in conditions of room temperature for at least 4 hours.
- Before installing and using the speaker system, read this Manual carefully and keep it for future reference.

Technical support is on www.sven.fi.

2. PACKAGE CONTENTS

- Subwoofer — 1 pc
- Satellites — 2 pcs
- Mini-jack to mini-jack (Ø 3.5 mm) signal cable — 1 pc
- Remote control — 1 pc
- Operation manual — 1 pc
- Warranty card — 1 pc

3. SAFETY PRECAUTIONS



Caution! High voltage inside! To avoid the risk of electric shock do not open or touch elements inside.

- To avoid electric shock, do not open the MSS and do not perform repairs by yourself. Service and repairs should be performed only by qualified specialists in an authorized service center. The list of authorized service centers is available on www.sven.fi
- Do not allow the circuit of wires (including the grounded ones) between the speakers, on the power amplifier or the ground, for it causes damage to the power amplifier output stage.
- Do not touch the MSS power cord plug pins for 2 seconds after unplugging it from the mains.
- Do not put foreign objects inside the holes of the MSS.
- Protect the MSS from high humidity, water and dust.
- Protect the MSS from heating: do not place it closer than 1 m from a heat source. Do not expose it to direct sunlight.
- Do not place any open flame sources on or close to MSS.
- Do not place the MSS in poorly ventilated areas. Leave an air gap of 10 cm or more. When operating the MSS, do not put any devices on it, do not cover it with cloth or other objects preventing it from cooling.
- Do not use any chemical agents for cleaning. Clean it with dry soft cloth only.

4. TECHNICAL DESCRIPTION

MS-330 Multimedia Speaker System 2.1 (MSS) is designed to play music and sound games, movies etc. The subwoofer has a built-in power amplifier, due to which it can be connected to virtually any audio source (CD/DVD-player, TV, PC, etc.) without using an additional power amplifier. Remote control for bass and volume levels is included.

Special features

- Built-in transformer power supply
- Volume and bass control
- Speaker system is compatible with PCs, DVD/Media-players, mobile devices and other sound sources
- Remote control for bass and volume levels
- Magnetic shielding
- MDF subwoofer and satellites cabinets

Sunwoofer rear panel and remote control

- ① POWER: power switch
- ② Power cord
- ③ RIGHT: right speaker input
- ④ LEFT: left speaker input
- ⑤ Remote control input
- ⑥ AUDIO INPUT: audio source input
- ⑦ VOLUME: volume control knob
- ⑧ BASS: bass control knob
- ⑨ Power LED

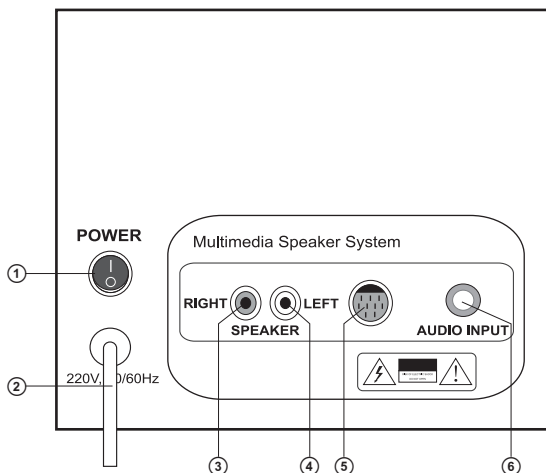


Fig. 1. Subwoofer rear panel

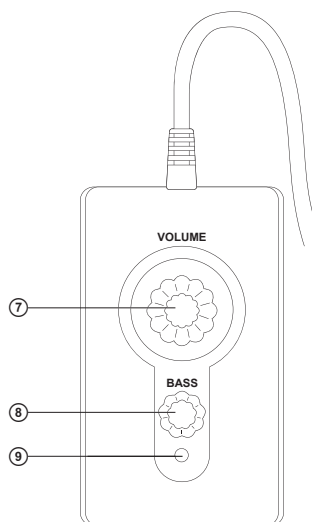


Fig. 2. Volume and bass remote control

5. PREPARATION AND OPERATION**Speaker placement**

- Place the speakers symmetrically to the listener at the distance not less than one meter. The subwoofer emits non-directional sound, therefore it can be located in any place of the room, where it will sound to the best advantage.
- Place MSS far away from monitors and TV sets, as insignificant image distortion in these super-sensitive devices is possible

Installation and operation

MS-330 Multimedia Speaker System can be connected to virtually any audio source: DVD / CD, PC sound card, etc. (see connection diagram in Fig. 3).

2.1 Multimedia Speaker System

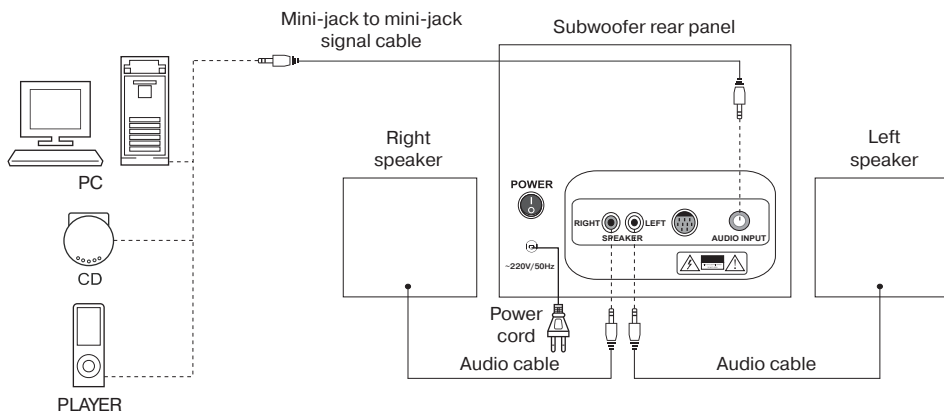


Fig. 3. Connection diagram

- Before connecting make sure that the MSS is switched off. Then connect the built-in audio cables to outputs on the rear panel of the subwoofer (see connection diagram above): the audio cable of the right speaker should be connected to RIGHT ③ output, and the audio cable of the left speaker should be connected to LEFT ④ output.
- To connect the speaker system to an audio source, the mini-jack to mini-jack stereo signal cable (Ø 3.5 mm stereo jack) should be used. Insert one end of the cable into the AUDIO INPUT ⑥ on the rear panel of the subwoofer, and insert the other end of the cable into the audio source input (Ø 3,5 mm stereo jack).

Note. Sound is directly dependent on accuracy and reliability of the connections of cables. It is recommended to use the cables supplied with the speakers.

- To connect the speaker system to DVD/CD-players, a mini-jack (Ø 3.5 mm) to 2RCA signal cable (not included) should be used; its RCA jacks should be connected to outputs of DVD/CD-players. If such a cable is not available, use mini-jack (Ø 3.5 mm) to 2RCA adapter (optional).
- Insert the plug of power cord ② on the rear panel of the subwoofer into the socket.
- Adjust volume level to its minimum by turning VOLUME control knob ⑦ on the remote control of the subwoofer counterclockwise until it stops.
- Shift POWER switch ① on the rear panel of the subwoofer, power LED ⑨ will illuminate.
- Adjust volume level by turning VOLUME control knob ⑦ on the remote control of the subwoofer.
- Adjust bass level by turning BASS control knob ⑧ on the remote control.

Notes:

- **If you aren't using the MSS for a long time, please mind to switch off POWER ① on the subwoofer rear panel and pull out its plug from the socket.**
- **To enhance sound quality, use Line-Out output of the sound card.**

6. TROUBLESHOOTING

Problem	Cause	Solution
The MSS does not turn on.	The MSS is not connected to the mains outlet.	Check the connection.
	Power switch is off.	Turn on the switch.
No sound.	Volume level is set at minimum value.	Adjust the volume control knob.
	The audio source is improperly connected.	Connect audio sources correctly.
The sound of the speakers is too quiet.	Volume level is set at minimum value.	Adjust the volume control knob.
Distortion of sound.	Large amplitude of the input signal.	Turn down the source volume and the MSS volume.
Sound is produced by one of the channels only.	The speakers are improperly connected to the audio source.	Check the connection of the speakers.
Remote control is not working.	Remote control is not connected to the subwoofer.	Check the connection.

If none of the above methods can solve the problem, please seek professional advice at your nearest service center. Never attempt to repair the product yourself.

7. TECHNICAL SPECIFICATIONS

Parameter, measurement unit	Value
Output power (RMS), W subwoofer satellites	50 (30 + 2 × 10) 30 2 × 10
Frequency range, Hz	40 – 20,000
S/N ratio, dB	≥ 60
Speaker diameter, mm subwoofer satellites	Ø 133 Ø 75
Power supply, V / Hz	~220/50
Dimensions (W × H × D), mm subwoofer satellites (one speaker)	255 × 236 × 290 122 × 130 × 132
Weight, kg	6.5

Notes:

- **Technical specifications given in this table are supplemental information and cannot give occasion to claims.**
- **Technical specifications and package contents are subject to change without notice due to the improvement of SVEN production.**

2.1 Multimedia Speaker System

SVEN®
YOU WANT – WE CAN



Модель: **MS-330**

Импортер в России: ООО «СКАНДИТРЕЛ»,
111024, РФ, г. Москва, ул. Авиамоторная, д. 65, стр. 1.

Уполномоченная организация в России: ООО «РТ-Ф»,
105082, г. Москва, ул. Фридриха Энгельса, д. 75, стр. 5.

Условия гарантийного обслуживания смотрите
в гарантийном талоне или на сайте **www.sven.fi**.

Гарантийный срок: 12 мес.

Срок службы: 5 лет.

Производитель: «СВЕН ПТЕ. Лимитед», 176

Джу Чиат Роуд, № 02-02, Сингапур, 427447.

Произведено под контролем «Свен Скандинавия
Лимитед», 48310, Финляндия, Котка, Котolahdentie, 15.
Сделано в Китае.

Manufacturer: SVEN PTE. LTD, 176 Joo Chiat Road,
№ 02-02, Singapore, 427447. Produced under the
control of Oy Sven Scandinavia Ltd. 15, Kotolahdentie,
Kotka, Finland, 48310. Made in China.

© Registered Trademark of Oy SVEN
Scandinavia Ltd. Finland.

MS-330