

SVEN[®]

2.1 Multimedia Speaker
System with Bluetooth

OPERATION MANUAL



MS-315

www.sven.fi

Congratulations on your purchase of the Sven speaker system!**COPYRIGHT**

© SVEN PTE. LTD. Version 1.0 (28.10.2021).

This Manual and information contained in it are copyrighted. All rights reserved.

TRADEMARKS

All trademarks are the property of their legal holders.

NOTICE OF RESPONSIBILITY RESTRICTION

Despite the exerted efforts to make this Manual more exact, some discrepancies may occur. The information in this Manual is given on «as is» terms. The author and the publisher do not bear any liability to a person or an organization for loss or damage which has arisen from the information contained in this Manual.

CONTENTS

1. BUYER RECOMMENDATIONS	2
2. PACKAGE CONTENTS	3
3. SAFETY PRECAUTIONS.....	3
4. TECHNICAL DESCRIPTION.....	3
5. PREPARATION AND OPERATION	6
6. OPERATION MODES.....	7
7. TROUBLESHOOTING.....	9
8. TECHNICAL SPECIFICATIONS	9

1. BUYER RECOMMENDATIONS

- Unpack the device carefully. Make sure there are no accessories left in the box. Check up the device for damage; if the product was damaged during transportation, address the firm which carried out the delivery; if the product functions incorrectly, address the dealer at once.
- Check up the package contents and availability of the warranty card. Make sure the warranty card has a shop stamp, a legible signature or the seller's stamp and purchase date, and the goods number corresponds to that in the warranty card. Remember: in case of warranty card loss or discrepancy of numbers you forfeit the right for warranty repairs.
- Do not switch on the speaker system immediately after you bring it into a room from environment with negative temperature! After unpacking, the speaker system should be kept in conditions of room temperature for at least 4 hours.
- Before installing and using the speaker system, read this Manual carefully and keep it for future reference.
- The date of manufacture of the product is indicated on the box.

Technical support is on www.sven.fi.

2. PACKAGE CONTENTS

- Subwoofer — 1 pc
- Satellites — 2 pcs
- Remote control (RC) — 1 pc
- AAA type batteries — 2 pcs
- Signal cable — 1 pc
- Antenna wire — 1 pc
- Wall hook — 2 pcs
- Operation manual — 1 pc
- Warranty card — 1 pc

3. SAFETY PRECAUTIONS



Caution! High voltage inside! To avoid the risk of electric shock do not open or touch elements inside.

- To avoid electric shock, do not open the MSS and do not perform repairs by yourself. Service and repairs should be performed only by qualified specialists in an authorized service center. The list of authorized service centers is available on www.sven.fi
- Do not allow the circuit of wires (including the grounded ones) between the speakers, on the power amplifier or the ground, for it causes damage to the power amplifier output stage.
- Do not touch the MSS power cord plug pins for 2 seconds after unplugging it from the mains.
- Do not put foreign objects inside the holes of the MSS.
- Protect the MSS from high humidity, water and dust.
- Protect the MSS from heating: do not place it closer than 1 m from a heat source. Do not expose it to direct sunlight.
- Do not place any open flame sources on or close to MSS.
- Do not place the MSS in poorly ventilated areas. Leave an air gap of 10 cm or more. When operating the MSS, do not put any devices on it, do not cover it with cloth or other objects preventing it from cooling.
- Do not use any chemical agents for cleaning. Clean it with dry soft cloth only.

4. TECHNICAL DESCRIPTION

MS-315 2.1 Multimedia Speaker System (MSS) is designed to play music and sound games, movies, etc. The MSS has a built-in power amplifier cable allowing to connect it to virtually any audio source (CD/DVD-player, TV, PC, etc.) without using an additional power amplifier. The MSS has a built-in FM radio, audio player and a BT module. Remote control is included.

Special features

- Speaker system is compatible with PCs, DVD/Media-players, mobile devices and other sound sources
- Wireless signal transmission via Bluetooth
- Built-in audio files player from USB-flash
- Built-in FM radio
- LED display
- Wooden (MDF) cabinet of the subwoofer

Subwoofer control panels

- ① LED display
- ② ST-BY: duty mode
- ③ CH-/◀◀: volume decrease button (short pressing);
Previous track (long pressing in the Player mode);
Previous station* (long pressing in Radio mode)
- ④ AUTO/▶▶: Play/Pause (pressed short in the Player mode);
Mute (short pressing in FM and AUX mode);
Start/Stop auto scan (long pressing in Radio mode);
Disconnect from device (long pressing)
- ⑤ INPUT: input switch, Bluetooth/AUX/FM/Player mode switch (pressed short)
- ⑥ Volume control knob (turn the knob to the right / left)
- ⑦ CH+/▶▶: volume increase button (short pressing);
Next track (long pressing in the Player mode);
Next station* (long pressing in Radio mode)
- ⑧ ON/OFF: power switch ON/OFF
- ⑨ Power cord
- ⑩ BASS: bass level up/down
- ⑪ FM ANT: radio antenna input jack
- ⑫ AUDIO OUTPUT: satellite output terminals
- ⑬ AUX: line input jack
- ⑭ USB: slot for a USB flash device* containing MP3, WAV audio files

* The frequencies are switched if there are stations preset in the memory.

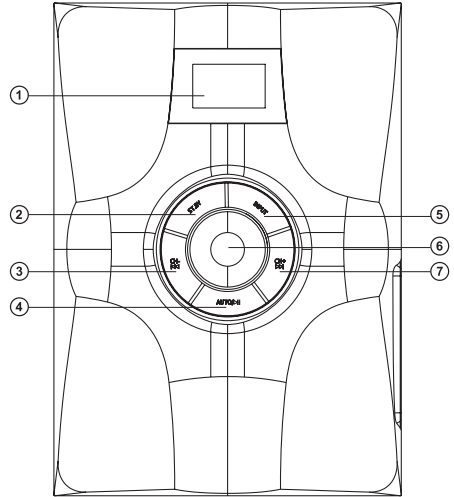


Fig. 1. Subwoofer control panel

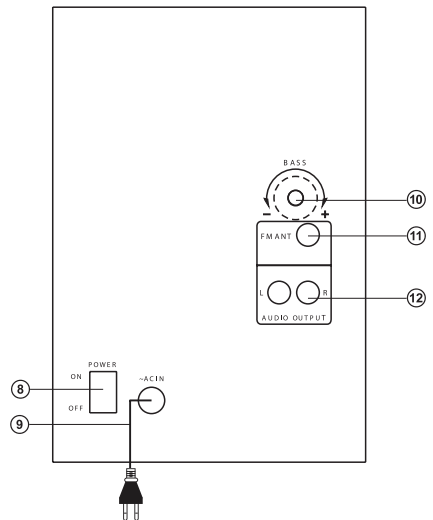


Fig. 2. Subwoofer rear panel

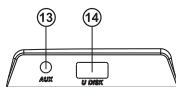


Fig. 3. Subwoofer side panel

Remote control

- ① POWER: On/Off switch
- ② BT: BT mode on button
- ③ USB: button to turn on the MP3 player mode with USB card*
- ④ TUNE+/-: manual band scanning (in the Radio mode)
- ⑤ CH-/◀◀: previous track (pressed short in the Player and BT mode);
Previous station** (pressed short in the Radio mode);
Rewind track in USB mode (long pressing)
- ⑥ EQ+/-: equalizer mode selection button (in the Player and BT mode only)
- ⑦ 0-9: numeric pad
- ⑧ REPEAT/Brigit: Player mode selection button;
Changing the display brightness (long pressing)
- ⑨ FM: Radio mode button
- ⑩ AUX: AUX stereo input selection button
- ⑪ ▶▶: Play/Pause (in the Player mode);
Disconnect from device (long pressing);
Start/Stop auto scan (long pressing in Radio mode)
- ⑫ CH+/▶▶: next track (pressed short in the Player and BT mode);
Next station** (pressed short in the Radio mode);
Rewind track in USB mode (long pressing)
- ⑬ MUTE: Mute
- ⑭ VOL+/-: volume control
- ⑮ SAVE/DELETE: memorize selected frequency (pressed short in the Radio mode);
Deleting a memorized station (long pressing)
- ⑯ RESET: return to default settings

Battery Installation

- Open the battery compartment on the back of the remote control.
- Insert the included AAA batteries.
- Close the battery compartment.

Notes. Use the RC at an angle no more than 30° at a distance of no more than 7 meters. Direct the remote control to the infrared receiver on the subwoofer. If the remote control does not operate, check the batteries or replace the discharged batteries with new ones. Remove the batteries from the RC if you don't intend to use it for a long time (more than one week).

* The storage device must be formatted as FAT, FAT32. Memory cards SDHC class 10 or less can be used. Connection of external hard disks other than USB flash drive is not recommended, otherwise it can cause the MSS damage.

** The frequencies are switched if stations have been preset in the memory.

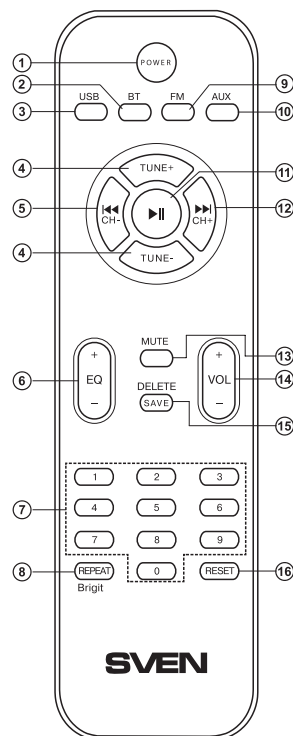


Fig.4. Remote control

5. PREPARATION AND OPERATION

Speaker placement

- Place the speakers symmetrically to the listener at least one meter away. The subwoofer emits non-directional sound, therefore it can be located in any place of the room where it sounds the best.
- Place MSS far away from monitors and TV sets, as insignificant image distortion in these super-sensitive devices is possible.

Installation and operation

MS-315 speaker system can be connected to virtually any audio devices: DVD/CD players, PCs, laptops, etc. (see connection diagram in Fig. 5).

- Before making any connections, make sure the MSS is off and unplugged.
- Connect the satellites to the subwoofer using the speaker cables built into the speakers.
- To connect the MSS to a PC, MP3/CD player, use a mini jack 3.5 mm to mini jack 3.5 mm (included).
- Connect the subwoofer to the mains outlet with the power cord ⑨.
- Turn on the MSS power supply using ON/OFF switch (⑥, ON) on the subwoofer rear panel. The speaker will go into standby mode.
- Turn on the product using button ① on the remote control or from button ② on the control panel.
- Select a desired signal source pressing button ⑤ on the control panel or pressing buttons: USB ③, BT ②, AUX ⑩, FM ④.

Warning! Before connecting, all system components must be turned off.

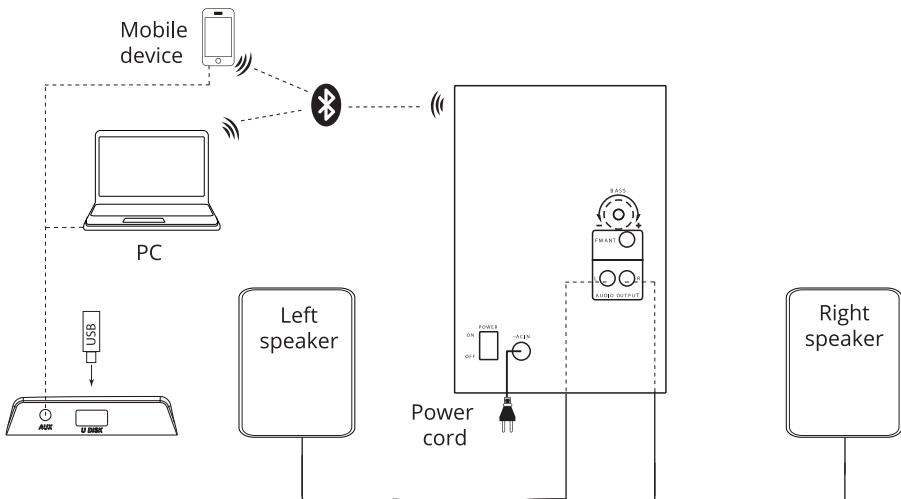


Fig. 5. Connection diagram

- Adjust the master volume as desired with VOLUME knob ⑥ on the control panel or with the VOL+/- buttons ⑭ on the remote control.
- Adjust the bass level using BASS+/- ⑩ buttons on the control panel.
- In order to have the high-fidelity reception direct the antenna to a required direction when listening to the radio, first connecting the antenna to FM ANT jack ⑪.
- When the MSS operation is over, mind to switch it off using ON/OFF switch (⑧, OFF position) and unplug the power cord ⑨ from the socket.

6. OPERATION MODES

Player Mode

- The system will enter the Player mode automatically when a carrier USB flash card* is connected to corresponding port ⑭; or press button ⑤ on the front panel of the subwoofer or button USB ③ on the remote control. The LED display ① will show the selected mode, then the number of the tracks found and a sequence number of the track played and then the playback time elapsed. The playback will start automatically.
- To select a track, you can directly enter its number on the remote control using the numeric pad buttons ⑦. The display ① will show the track number for a short time and then the playback time elapsed.
- You can select the playback mode using REPEAT button ⑧ on the remote control (ONE – the playing track replay; RND – playback random tracks; ALL – playback all tracks available).
- In the player mode, the equalizer function is available. Use the EQ+ and EQ- ⑥ buttons on the remote control to select preset settings.

Bluetooth mode

- In order to transmit signal in this mode it is necessary by first to connect the device with a signal source (see Fig. 5). For this purpose select the Bluetooth mode using button ⑤ on the front panel of the subwoofer or BT ② on the remote control. After 2-3 seconds the speaker system will enter the search mode, and the red «bt» will flash on the display ①.
- It is necessary to select the search mode of devices with Bluetooth on a signal source (telephone, notebook, smartphone, etc.). «SVEN MS-315» message will be displayed on the screen which it should be connected with**.
- If the connection is successful, you will hear the system sound, and on display ① the inscription «bt» will have a constant glow.
- If there is no any connection, the lighting of the «bt» indicator is intermittent. In this case the system should be switch over to the search mode once again (to turn off and turn on anew)***.
- It is possible to control the player of a signal source from the remote control or using the button on the front panel of the subwoofer when connecting to a signal source.
- In the player mode, the equalizer function is available. Use the EQ+ and EQ- ⑥ buttons on the remote control to select preset settings.

* If a USB flash device of 8 Gb capacity or more is used, command processing time may be extended.

** You might have to enter «0000» code to connect some models of devices via Bluetooth.

*** If an item has been already registered in the device list of a source, then the second search mode activation is not obligatory. Choose only the item name and the «connect» command on the source.

Radio Mode

- Use button ⑤ on the front panel of the subwoofer or FM button ⑨ on the remote control to enter the Radio mode. The display ① current adjustment frequency.
- Press short AUTO button ④ on the front panel of the subwoofer or button ⑩ on the remote control short to auto scan and memorize the found stations. The second pressing of this button before the scanning is over will stop the auto scanning process. The display ① shows the frequency being scanned, when a radio station is being memorized, the display shows its assigned sequence number for a short moment.
- For manual scanning, use buttons TUNE-/+ ④ on the remote control (up/down the frequency range). To save a selected frequency, press SAVE/DELETE button ⑮ on the remote control, then using buttons ③ and ⑦ on the front panel of the subwoofer or buttons ⑤ and ⑫ on the remote control select a cell number to save and press the SAVE/DELETE button ⑮ once again. When saving, the display ① will show the message «SAU». To delete the station, press and hold SAVE/DELETE ⑮ button, «DEL» will appear on the display ①.
- If preset radio stations are available in the memory, you can switch from one to another by short pressing buttons ③ and ⑦ on the front panel of the subwoofer or buttons ⑤ and ⑫ on the remote control. You can also enter the frequency or the number of the preset station using numeric pad buttons ⑦ on the remote control. The radio will tune to the set frequency within 2-3 seconds.

AUX Mode

- To switch to the AUX mode, press the button ⑤ on the front panel or the AUX button ⑩ on the remote control, the MSS switched on. The display ① will show «AUX» inscription.

MUTE Mode

- To enter the MUTE mode, press button ⑮ on the remote control. To exit the MUTE mode, press this button ⑮ again.

Note. *Due to the constant development of the software, the actual MSS operation may differ from that described in this Manual. The most recent version of the Manual is available at www.sven.fi.*

7. TROUBLESHOOTING

Problem	Cause	Solution
The MSS does not turn on.	The MSS isn't connected to a mains outlet.	Check the connection.
	The power switch is off.	Turn on the switch.
No sound or the sound is too quiet.	Volume level is set at minimum value.	Adjust the volume control knob.
	Improperly connected audio source.	Connect the audio sources correctly.
Distortion of sound.	Large amplitude of the input signal.	Turn down the source volume and the MSS volume
The remote control is not working.	The batteries are discharged.	Replace the batteries with new ones.

If none of the above methods can solve the problem, please seek professional advice at your nearest service center. Never attempt to repair the product yourself.

8. TECHNICAL SPECIFICATIONS

Parameter, measurement unit	Value
Output power (RMS), W: subwoofer satellites	46 (20 + 2 × 13) 20 2 × 13
Frequency response, Hz: subwoofer satellites	40 – 150 125 – 22 000
Rated current consumption, A	0.1
Power supply, V/Hz	~230/50
Dimensions, mm: subwoofer satellites (one speaker)	176 × 237 × 300 95 × 152 × 97
Weight, kg	3.62

Notes. *Technical specifications given in this table are supplemental information and cannot give occasion to claims. Technical specifications and package contents are subject to change without notice due to the improvement of SVEN production.*

2.1 Multimedia Speaker System with Bluetooth

SVEN®

Model: MS-315

Importer: Tiralana OY, Office 102, Kotolahdentie 15, 48310 Kotka, Finland.

Импортер в России: ООО «Регард», 105082, г. Москва, ул. Фридриха Энгельса, д.75, стр. 5. Уполномоченная организация в России: ООО «РТ-Ф», 105082, г. Москва, ул. Фридриха Энгельса, д. 56, стр. 1. Условия гарантийного обслуживания смотрите в гарантийном талоне или на сайте www.sven.fi. Гарантийный срок: 12 мес. Срок службы: 5 лет.

Производитель: «СВЕН ПТЕ. Лимитед», 176 Джу Чиат Роуд, № 02-02, Сингапур, 427447. Произведено под контролем «Свен Скандинавия Лимитед», 48310, Финляндия, Котка, Котolahdentie, 15. Сделано в Китае.

Manufacturer: SVEN PTE. LTD, 176 Joo Chiat Road, № 02-02, Singapore, 427447.

Produced under the control of Oy Sven Scandinavia Ltd. 15, Kotolahdentie, Kotka, Finland, 48310. Made in China.

® Registered Trademark of Oy SVEN Scandinavia Ltd. Finland.



MS-315