

SVEN[®]

2.1 Multimedia Speaker
System with Bluetooth

OPERATION MANUAL



MS-315

www.sven.fi

Congratulations on your purchase of the Sven speaker system!**COPYRIGHT**

© SVEN PTE. LTD. Version 1.0 (28.10.2021).

This Manual and information contained in it are copyrighted. All rights reserved.

TRADEMARKS

All trademarks are the property of their legal holders.

NOTICE OF RESPONSIBILITY RESTRICTION

Despite the exerted efforts to make this Manual more exact, some discrepancies may occur. The information in this Manual is given on «as is» terms. The author and the publisher do not bear any liability to a person or an organization for loss or damage which has arisen from the information contained in this Manual.

CONTENTS

ENG	2
1. BUYER RECOMMENDATIONS	2
2. PACKAGE CONTENTS	3
3. SAFETY PRECAUTIONS	3
4. TECHNICAL DESCRIPTION	3
5. PREPARATION AND OPERATION	6
6. OPERATION MODES	7
7. TROUBLESHOOTING	9
8. TECHNICAL SPECIFICATIONS	9
RUS	10
UKR	18

1. BUYER RECOMMENDATIONS

- Unpack the device carefully. Make sure there are no accessories left in the box. Check up the device for damage; if the product was damaged during transportation, address the firm which carried out the delivery; if the product functions incorrectly, address the dealer at once.
- Check up the package contents and availability of the warranty card. Make sure the warranty card has a shop stamp, a legible signature or the seller's stamp and purchase date, and the goods number corresponds to that in the warranty card. Remember: in case of warranty card loss or discrepancy of numbers you forfeit the right for warranty repairs.
- Do not switch on the speaker system immediately after you bring it into a room from environment with negative temperature! After unpacking, the speaker system should be kept in conditions of room temperature for at least 4 hours.
- Before installing and using the speaker system, read this Manual carefully and keep it for future reference.
- The date of manufacture of the product is indicated on the box.

Technical support is on www.sven.fi.

2. PACKAGE CONTENTS

- Subwoofer — 1 pc
- Satellites — 2 pcs
- Remote control (RC) — 1 pc
- AAA type batteries — 2 pcs
- Signal cable — 1 pc
- Antenna wire — 1 pc
- Wall hook — 2 pcs
- Operation manual — 1 pc
- Warranty card — 1 pc

3. SAFETY PRECAUTIONS



Caution! High voltage inside! To avoid the risk of electric shock do not open or touch elements inside.

- To avoid electric shock, do not open the MSS and do not perform repairs by yourself. Service and repairs should be performed only by qualified specialists in an authorized service center. The list of authorized service centers is available on www.sven.fi
- Do not allow the circuit of wires (including the grounded ones) between the speakers, on the power amplifier or the ground, for it causes damage to the power amplifier output stage.
- Do not touch the MSS power cord plug pins for 2 seconds after unplugging it from the mains.
- Do not put foreign objects inside the holes of the MSS.
- Protect the MSS from high humidity, water and dust.
- Protect the MSS from heating: do not place it closer than 1 m from a heat source. Do not expose it to direct sunlight.
- Do not place any open flame sources on or close to MSS.
- Do not place the MSS in poorly ventilated areas. Leave an air gap of 10 cm or more. When operating the MSS, do not put any devices on it, do not cover it with cloth or other objects preventing it from cooling.
- Do not use any chemical agents for cleaning. Clean it with dry soft cloth only.

4. TECHNICAL DESCRIPTION

MS-315 2.1 Multimedia Speaker System (MSS) is designed to play music and sound games, movies, etc. The MSS has a built-in power amplifier cable allowing to connect it to virtually any audio source (CD/DVD-player, TV, PC, etc.) without using an additional power amplifier. The MSS has a built-in FM radio, audio player and a BT module. Remote control is included.

Special features

- Speaker system is compatible with PCs, DVD/Media-players, mobile devices and other sound sources
- Wireless signal transmission via Bluetooth
- Built-in audio files player from USB-flash
- Built-in FM radio
- LED display
- Wooden (MDF) cabinet of the subwoofer

Subwoofer control panels

- ① LED display
- ② ST-BY: duty mode
- ③ CH-/◀◀: volume decrease button (short pressing);
Previous track (long pressing in the Player mode);
Previous station* (long pressing in Radio mode)
- ④ AUTO/▶▶: Play/Pause (pressed short in the Player mode);
Mute (short pressing in FM and AUX mode);
Start/Stop auto scan (long pressing in Radio mode);
Disconnect from device (long pressing)
- ⑤ INPUT: input switch, Bluetooth/AUX/FM/Player mode switch (pressed short)
- ⑥ Volume control knob (turn the knob to the right / left)
- ⑦ CH+/▶▶: volume increase button (short pressing);
Next track (long pressing in the Player mode);
Next station* (long pressing in Radio mode)
- ⑧ ON/OFF: power switch ON/OFF
- ⑨ Power cord
- ⑩ BASS: bass level up/down
- ⑪ FM ANT: radio antenna input jack
- ⑫ AUDIO OUTPUT: satellite output terminals
- ⑬ AUX: line input jack
- ⑭ USB: slot for a USB flash device* containing MP3, WAV audio files

* The frequencies are switched if there are stations preset in the memory.

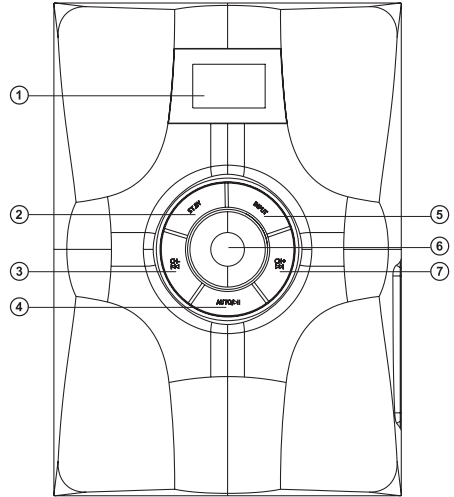


Fig. 1. Subwoofer control panel

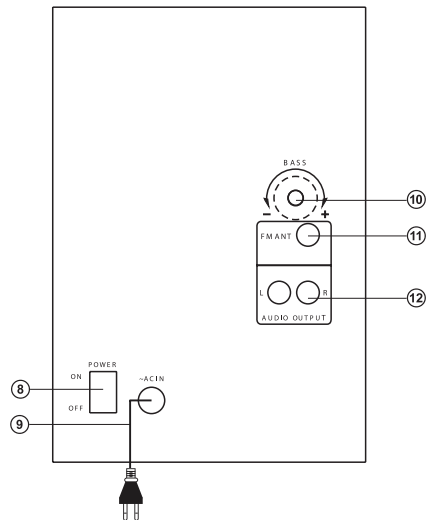


Fig. 2. Subwoofer rear panel

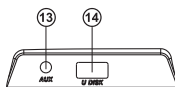


Fig. 3. Subwoofer side panel

Remote control

- ① POWER: On/Off switch
- ② BT: BT mode on button
- ③ USB: button to turn on the MP3 player mode with USB card*
- ④ TUNE+/-: manual band scanning (in the Radio mode)
- ⑤ CH-/◀◀: previous track (pressed short in the Player and BT mode);
Previous station** (pressed short in the Radio mode);
Rewind track in USB mode (long pressing)
- ⑥ EQ+/-: equalizer mode selection button (in the Player and BT mode only)
- ⑦ 0-9: numeric pad
- ⑧ REPEAT/Brigit: Player mode selection button;
Changing the display brightness (long pressing)
- ⑨ FM: Radio mode button
- ⑩ AUX: AUX stereo input selection button
- ⑪ ▶▶: Play/Pause (in the Player mode);
Disconnect from device (long pressing);
Start/Stop auto scan (long pressing in Radio mode)
- ⑫ CH+/▶▶: next track (pressed short in the Player and BT mode);
Next station** (pressed short in the Radio mode);
Rewind track in USB mode (long pressing)
- ⑬ MUTE: Mute
- ⑭ VOL+/-: volume control
- ⑮ SAVE/DELETE: memorize selected frequency (pressed short in the Radio mode);
Deleting a memorized station (long pressing)
- ⑯ RESET: return to default settings

Battery Installation

- Open the battery compartment on the back of the remote control.
- Insert the included AAA batteries.
- Close the battery compartment.

Notes. Use the RC at an angle no more than 30° at a distance of no more than 7 meters. Direct the remote control to the infrared receiver on the subwoofer. If the remote control does not operate, check the batteries or replace the discharged batteries with new ones. Remove the batteries from the RC if you don't intend to use it for a long time (more than one week).

* The storage device must be formatted as FAT, FAT32. Memory cards SDHC class 10 or less can be used. Connection of external hard disks other than USB flash drive is not recommended, otherwise it can cause the MSS damage.

** The frequencies are switched if stations have been preset in the memory.

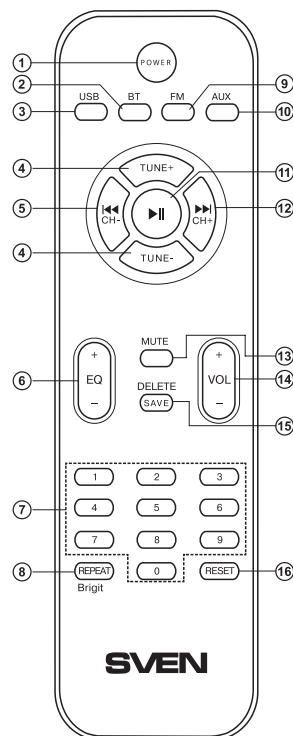


Fig.4. Remote control

5. PREPARATION AND OPERATION

Speaker placement

- Place the speakers symmetrically to the listener at least one meter away. The subwoofer emits non-directional sound, therefore it can be located in any place of the room where it sounds the best.
- Place MSS far away from monitors and TV sets, as insignificant image distortion in these super-sensitive devices is possible.

Installation and operation

MS-315 speaker system can be connected to virtually any audio devices: DVD/CD players, PCs, laptops, etc. (see connection diagram in Fig. 5).

- Before making any connections, make sure the MSS is off and unplugged.
- Connect the satellites to the subwoofer using the speaker cables built into the speakers.
- To connect the MSS to a PC, MP3/CD player, use a mini jack 3.5 mm to mini jack 3.5 mm (included).
- Connect the subwoofer to the mains outlet with the power cord ⑨.
- Turn on the MSS power supply using ON/OFF switch (⑥, ON) on the subwoofer rear panel. The speaker will go into standby mode.
- Turn on the product using button ① on the remote control or from button ② on the control panel.
- Select a desired signal source pressing button ⑤ on the control panel or pressing buttons: USB ③, BT ②, AUX ⑩, FM ④.

Warning! Before connecting, all system components must be turned off.

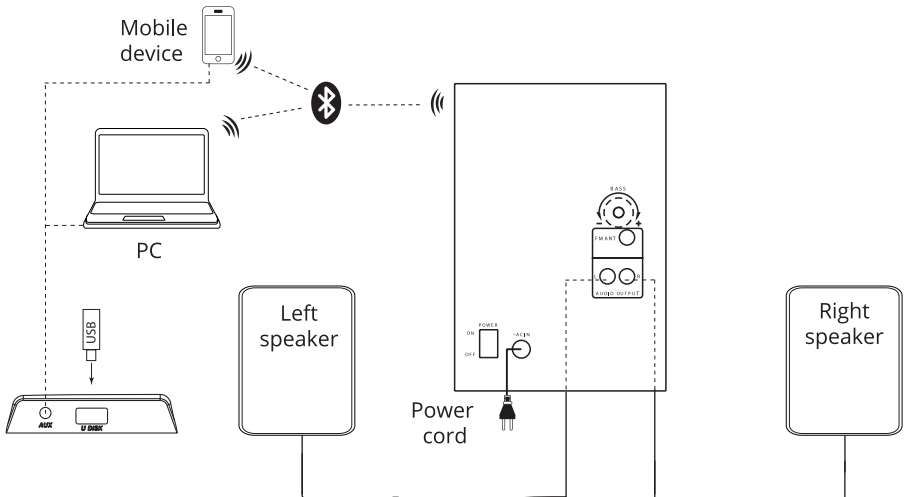


Fig. 5. Connection diagram

- Adjust the master volume as desired with VOLUME knob ⑥ on the control panel or with the VOL+/- buttons ⑭ on the remote control.
- Adjust the bass level using BASS+/- ⑩ buttons on the control panel.
- In order to have the high-fidelity reception direct the antenna to a required direction when listening to the radio, first connecting the antenna to FM ANT jack ⑪.
- When the MSS operation is over, mind to switch it off using ON/OFF switch (⑧, OFF position) and unplug the power cord ⑨ from the socket.

6. OPERATION MODES

Player Mode

- The system will enter the Player mode automatically when a carrier USB flash card* is connected to corresponding port ⑭; or press button ⑤ on the front panel of the subwoofer or button USB ③ on the remote control. The LED display ① will show the selected mode, then the number of the tracks found and a sequence number of the track played and then the playback time elapsed. The playback will start automatically.
- To select a track, you can directly enter its number on the remote control using the numeric pad buttons ⑦. The display ① will show the track number for a short time and then the playback time elapsed.
- You can select the playback mode using REPEAT button ⑧ on the remote control (ONE – the playing track replay; RND – playback random tracks; ALL – playback all tracks available).
- In the player mode, the equalizer function is available. Use the EQ+ and EQ- ⑥ buttons on the remote control to select preset settings.

Bluetooth mode

- In order to transmit signal in this mode it is necessary by first to connect the device with a signal source (see Fig. 5). For this purpose select the Bluetooth mode using button ⑤ on the front panel of the subwoofer or BT ② on the remote control. After 2-3 seconds the speaker system will enter the search mode, and the red «bt» will flash on the display ①.
- It is necessary to select the search mode of devices with Bluetooth on a signal source (telephone, notebook, smartphone, etc.). «SVEN MS-315» message will be displayed on the screen which it should be connected with**.
- If the connection is successful, you will hear the system sound, and on display ① the inscription «bt» will have a constant glow.
- If there is no any connection, the lighting of the «bt» indicator is intermittent. In this case the system should be switch over to the search mode once again (to turn off and turn on anew)***.
- It is possible to control the player of a signal source from the remote control or using the button on the front panel of the subwoofer when connecting to a signal source.
- In the player mode, the equalizer function is available. Use the EQ+ and EQ- ⑥ buttons on the remote control to select preset settings.

* If a USB flash device of 8 Gb capacity or more is used, command processing time may be extended.

** You might have to enter «0000» code to connect some models of devices via Bluetooth.

*** If an item has been already registered in the device list of a source, then the second search mode activation is not obligatory. Choose only the item name and the «connect» command on the source.

Radio Mode

- Use button ⑤ on the front panel of the subwoofer or FM button ⑨ on the remote control to enter the Radio mode. The display ① current adjustment frequency.
- Press short AUTO button ④ on the front panel of the subwoofer or button ⑩ on the remote control short to auto scan and memorize the found stations. The second pressing of this button before the scanning is over will stop the auto scanning process. The display ① shows the frequency being scanned, when a radio station is being memorized, the display shows its assigned sequence number for a short moment.
- For manual scanning, use buttons TUNE-/+ ④ on the remote control (up/down the frequency range). To save a selected frequency, press SAVE/DELETE button ⑮ on the remote control, then using buttons ③ and ⑦ on the front panel of the subwoofer or buttons ⑤ and ⑫ on the remote control select a cell number to save and press the SAVE/DELETE button ⑮ once again. When saving, the display ① will show the message «SAU». To delete the station, press and hold SAVE/DELETE ⑮ button, «DEL» will appear on the display ①.
- If preset radio stations are available in the memory, you can switch from one to another by short pressing buttons ③ and ⑦ on the front panel of the subwoofer or buttons ⑤ and ⑫ on the remote control. You can also enter the frequency or the number of the preset station using numeric pad buttons ⑦ on the remote control. The radio will tune to the set frequency within 2-3 seconds.

AUX Mode

- To switch to the AUX mode, press the button ⑤ on the front panel or the AUX button ⑩ on the remote control, the MSS switched on. The display ① will show «AUX» inscription.

MUTE Mode

- To enter the MUTE mode, press button ⑮ on the remote control. To exit the MUTE mode, press this button ⑮ again.

Note. *Due to the constant development of the software, the actual MSS operation may differ from that described in this Manual. The most recent version of the Manual is available at www.sven.fi.*

7. TROUBLESHOOTING

Problem	Cause	Solution
The MSS does not turn on.	The MSS isn't connected to a mains outlet.	Check the connection.
	The power switch is off.	Turn on the switch.
No sound or the sound is too quiet.	Volume level is set at minimum value.	Adjust the volume control knob.
	Improperly connected audio source.	Connect the audio sources correctly.
Distortion of sound.	Large amplitude of the input signal.	Turn down the source volume and the MSS volume
The remote control is not working.	The batteries are discharged.	Replace the batteries with new ones.

If none of the above methods can solve the problem, please seek professional advice at your nearest service center. Never attempt to repair the product yourself.

8. TECHNICAL SPECIFICATIONS

Parameter, measurement unit	Value
Output power (RMS), W: subwoofer satellites	46 (20 + 2 × 13) 20 2 × 13
Frequency response, Hz: subwoofer satellites	40 – 150 125 – 22 000
Rated current consumption, A	0.1
Power supply, V/Hz	~230/50
Dimensions, mm: subwoofer satellites (one speaker)	176 × 237 × 300 95 × 152 × 97
Weight, kg	3.62

Notes. *Technical specifications given in this table are supplemental information and cannot give occasion to claims. Technical specifications and package contents are subject to change without notice due to the improvement of SVEN production.*

Благодарим Вас за покупку акустической системы ТМ SVEN!

АВТОРСКОЕ ПРАВО

© SVEN PTE. LTD. Версия 1.0 (28.10.2021).

Данное Руководство и содержащаяся в нем информация защищены авторским правом. Все права защищены.

ТОРГОВЫЕ МАРКИ

Все торговые марки являются собственностью их законных владельцев.

ПРЕДУПРЕЖДЕНИЕ ОБ ОГРАНИЧЕНИИ ОТВЕТСТВЕННОСТИ

Несмотря на приложенные усилия сделать Руководство более точным, возможны некоторые несоответствия. Информация данного Руководства предоставлена на условиях «как есть». Автор и издатель не несут никакой ответственности перед лицом или организацией за ущерб или повреждения, произошедшие от информации, содержащейся в данном Руководстве.

СОДЕРЖАНИЕ

ENG	2
RUS.....	10
1. РЕКОМЕНДАЦИИ ПОКУПАТЕЛЮ.....	10
2. КОМПЛЕКТАЦИЯ.....	11
3. МЕРЫ БЕЗОПАСНОСТИ.....	11
4. ТЕХНИЧЕСКОЕ ОПИСАНИЕ.....	11
5. ПОДГОТОВКА И ПОРЯДОК РАБОТЫ	14
6. РЕЖИМЫ РАБОТЫ	15
7. УСТРАНЕНИЕ НЕИСПРАВНОСТЕЙ.....	17
8. ТЕХНИЧЕСКИЕ ХАРАКТЕРИСТИКИ	17
UKR	18

1. РЕКОМЕНДАЦИИ ПОКУПАТЕЛЮ

- Аккуратно распакуйте изделие, проследите за тем, чтобы внутри коробки не остались какие-либо принадлежности. Проверьте устройство на предмет повреждений. Если изделие повреждено при транспортировке, обратитесь в фирму, осуществляющую доставку; если изделие не функционирует, сразу же обратитесь к продавцу.
- Проверьте комплектность и наличие гарантийного талона. Убедитесь в том, что в гарантийном талоне проставлен штамп магазина, разборчивая подпись или штамп продавца и дата продажи, номер товара совпадает с указанным в талоне. Помните, что при утрате гарантийного талона или несовпадении номеров вы лишаетесь права на гарантийный ремонт.
- Не включайте изделие сразу же после внесения его в помещение из окружающей среды с минусовыми температурами! Распакованное изделие необходимо выдержать в условиях комнатной температуры не менее 4-х часов.
- Прежде чем устанавливать и использовать изделие, внимательно ознакомьтесь с настоящим Руководством и сохраните его на весь период использования.
- Перевозка и транспортировка оборудования допускается только в заводской упаковке.
- Не требует специальных условий для реализации.
- Утилизировать в соответствии с правилами утилизации бытовой и компьютерной техники.
- Дата изготовления продукта указана на коробке.

*Техническая поддержка размещена на сайте www.sven.fi.
Здесь же Вы сможете найти обновленную версию данного Руководства.*

2. КОМПЛЕКТАЦИЯ

- Сабвуфер — 1 шт.
- Сателлиты — 2 шт.
- Пульт дистанционного управления (ПДУ) — 1 шт.
- Элементы питания типа AAA — 2 шт.
- Сигнальный кабель — 1 шт.
- Антенный провод — 1 шт.
- Комплект настенного крепления для сателлитов — 2 шт.
- Руководство по эксплуатации — 1 шт.
- Гарантийный талон — 1 шт.

3. МЕРЫ БЕЗОПАСНОСТИ



Внимание! Внутри корпуса на элементах без изоляции имеется высокое напряжение, которое может вызвать поражение электрическим током.

- Во избежание поражения электрическим током, не вскрывайте акустическую систему (АС) и не ремонтируйте самостоятельно. Обслуживание и ремонт должны осуществлять только квалифицированные специалисты уполномоченного сервисного центра. Перечень уполномоченных сервисных центров смотрите на сайте www.sven.fi.
- Не допускайте замыканий проводов (в том числе и «заземленных») колонок АС между собой, на корпус усилителя и на землю, т. к. это выводит из строя выходные каскады усилителя.
- Запрещается прикасаться к штырям сетевой вилки аппаратуры в течение 2 сек. с момента изъятия вилки из сетевой розетки.
- Оберегайте АС от попадания в отверстия посторонних предметов.
- Оберегайте АС от повышенной влажности, попадания воды и пыли.
- Оберегайте АС от нагрева: устанавливайте ее не ближе чем 1 м от нагревательных приборов. Не подвергайте воздействию прямым солнечным лучам.
- Не размещайте на АС никаких источников открытого пламени.
- Не устанавливайте АС в местах с недостаточной вентиляцией. Минимальный воздушный зазор — 10 см. При эксплуатации АС не устанавливайте на нее какие-либо устройства, не покрывайте салфетками или подобными предметами, затрудняющими охлаждение.
- Не применяйте химические реагенты для чистки АС, используйте мягкую сухую ткань.

4. ТЕХНИЧЕСКОЕ ОПИСАНИЕ

Акустическая система 2.1 (АС) MS-315 предназначена для воспроизведения музыки и озвучивания игр, фильмов и проч. АС оснащена встроенным усилителем мощности благодаря чему она может быть подключена практически к любым источникам аудиосигнала (CD/DVD-проигрывателям, телевизору, ПК и т. п.) без использования дополнительного усилителя мощности. АС имеет радио, проигрыватель аудиофайлов и BT модуль. В комплекте имеется пульт ДУ.

Особенности

- Акустическая система совместима с PC, DVD/Media-проигрывателями, мобильными устройствами и другими источниками звука
- Беспроводная передача сигнала по Bluetooth
- Воспроизведение музыки с USB flash
- Встроенное FM-радио
- LED-дисплей
- Материал корпуса сабвуфера – дерево (MDF)

Панели управления сабвуфера

- ① LED дисплей
- ② ST-BY: дежурный режим
- ③ CH-/◀◀: уменьшение громкости (короткое нажатие);
Переход на предыдущий трек (длительное нажатие в режиме Проигрыватель);
Предыдущая станция* (длительное нажатие в режиме Радио)
- ④ AUTO/▶▶: Воспроизведение/Пауза (кратковременное нажатие в режиме Проигрыватель);
Отключение звука (короткое нажатие в режимах FM и AUX);
Автоматический поиск старт/стоп (длительное нажатие в режиме Радио);
Разрыв соединения с источником в BT режиме (длительное нажатие)
- ⑤ INPUT: переключение входов, режимов Bluetooth/AUX/FM/Проигрыватель (кратковременное нажатие)
- ⑥ Регулировка уровня громкости (поворот регулятора вправо/влево)
- ⑦ CH+/▶▶: увеличение громкости (короткое нажатие);
Переход на следующий трек (длительное нажатие в режиме Проигрыватель);
Следующая станция* (длительное нажатие в режиме Радио)
- ⑧ ON/OFF: выключатель питания ON/OFF
- ⑨ Шнур питания
- ⑩ BASS: регулировка уровня НЧ
- ⑪ FM ANT: разъем для подключения антенны приемника
- ⑫ AUDIO OUTPUT: разъем для подключения сателлитов
- ⑬ AUX: разъем для подключения линейного входа
- ⑭ USB: разъем для установки USB flash носителя с музыкальными файлами, записанными в формате MP3, WAV

* Переключение этих частот происходит при наличии записанных в памяти станций.

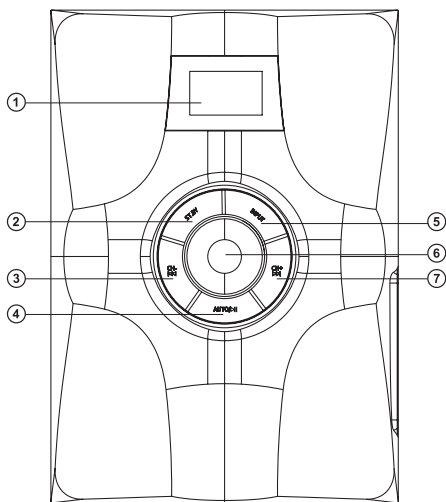


Рис. 1. Панель управления сабвуфера

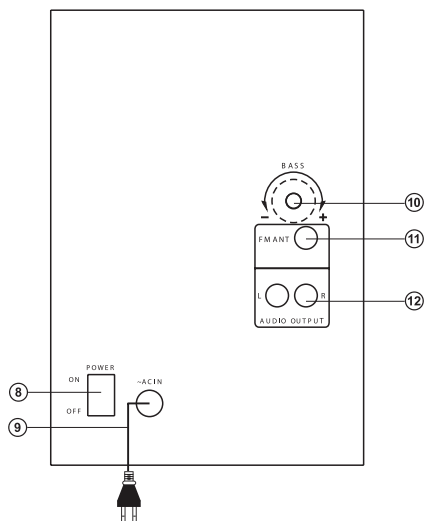


Рис. 2. Задняя панель сабвуфера

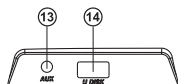


Рис. 3. Боковая панель сабвуфера

Пульт дистанционного управления

- ① POWER: кнопка включения/выключения AC
 ② BT: кнопка включения режима BT
 ③ USB: кнопка включения режима MP3-проигрывателя с USB card носителя*
 ④ TUNE+/-: ручное сканирование диапазона (в режиме Радио)
 ⑤ CH-/◀◀: переход на предыдущий трек (кратковременное нажатие в режиме Проигрыватель и BT);
 Переход на предыдущую станцию** (кратковременное нажатие в режиме Радио);
 Перемотка трека в USB режиме (длительное нажатие)
 ⑥ EQ+/-: кнопка переключения предустановок эквалайзера (доступно только в режиме Проигрыватель и BT)
 ⑦ 0-9: кнопки цифрового поля
 ⑧ REPEAT/Brigt: кнопка выбора режима работы Проигрывателя;
 Изменение яркости дисплея (длительное нажатие)
 ⑨ FM: кнопка включения режима Радио
 ⑩ AUX: кнопка выбора стереовхода AUX
 ⑪ ▶|: Воспроизведение/Пауза (в режиме Проигрыватель);
 Разрыв соединения с источником в BT режиме (длительное нажатие);
 Автопоиск радиостанций (длительное нажатие в режиме FM-радио)
 ⑫ CH+/▶▶: переход на след. трек (кратковременное нажатие в режиме Проигрыватель и BT);
 Переход на следующую станцию** (кратковременное нажатие в режиме Радио);
 Перемотка трека в USB режиме (длительное нажатие)
 ⑬ MUTE: кнопка включения/выключения громкости
 ⑭ VOL+/-: регулятор общей громкости
 ⑮ SAVE/DELETE: запоминание выбранной частоты (короткое нажатие в режиме Радио);
 Удаление запомненной станции (длительное нажатие)
 ⑯ RESET: сброс аудионастроек

Установка батареек в пульт ДУ

- Откройте отсек для батареек на задней стороне пульта ДУ
- Вставьте батарейки типа AAA (из комплекта)
- Закройте отсек для батареек

Примечания. Используйте ПДУ под углом не более 30° на расстоянии не более 7 метров. Направьте ПДУ на ИК-приемник на сабвуфере. Если ПДУ не работает, проверьте наличие батареек или замените разряженные на новые. Вынимайте батарейки из пульта, если не собираетесь пользоваться им в течение длительного времени (больше недели).

* Носитель должен быть отформатирован в FAT, FAT32. Не рекомендуется подключение внешних жестких дисков и прочих устройств, отличных от USB flash — это может привести к повреждению AC.

** Переключение этих частот происходит при наличии записанных в памяти станций.

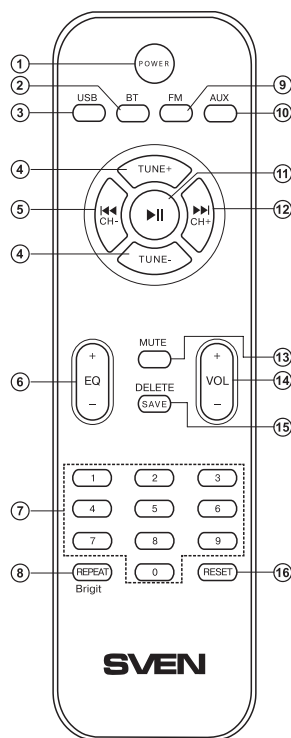


Рис. 4. Пульт ДУ

5. ПОДГОТОВКА И ПОРЯДОК РАБОТЫ

Расположение АС

- Расположите колонки относительно слушателя симметрично на расстоянии не менее одного метра. Сабвуфер излучает ненаправленный звук, потому его можно расположить в любом месте комнаты, где сабвуфер звучит наилучшим образом.
- Возможно небольшое искажение изображения у сверхчувствительных мониторов и телевизоров, поэтому устанавливайте АС подальше от этих устройств.

Подключение АС

Модель MS-315 можно подключить практически к любым источникам аудиосигнала: DVD/CD-плеерам, ПК, ноутбуку и т. п. (см. схему на рис. 5).

- Перед подключением убедитесь, что АС отключена от сети.
- Соедините спутники с сабвуфером, используя акустические кабели, встроенные в колонки.
- Для подключения АС к ПК, MP3/CD-плеерам используйте сигнальный кабель mini jack 3.5 mm к mini jack 3.5 mm (из комплекта).
- Подключите сабвуфер к сети с помощью шнура питания ⑨.
- Включите питание АС выключателем ON/OFF (⑧, ON) на задней стенке сабвуфера. АС перейдет в дежурный режим.
- Включите изделие при помощи кнопки ① на ПДУ или с кнопки ② на панели управления.
- Выберите желаемый источник сигнала кнопкой ⑤ на панели управления или кнопками на ПДУ: USB ③, BT ②, AUX ⑩, FM ④.

Предупреждение! Перед подключением все компоненты системы должны быть выключены.

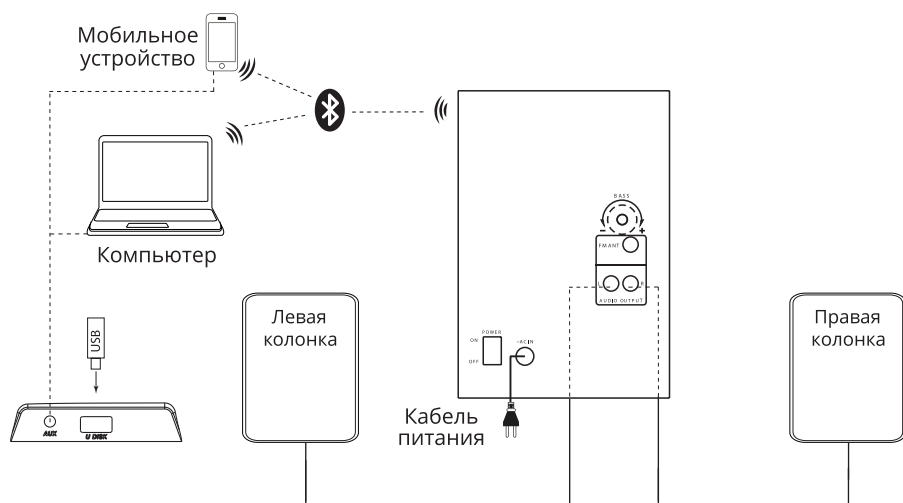


Рис. 5. Схема подключения

Руководство по эксплуатации

- Выберите желаемый уровень громкости системы с помощью регулятора уровня громкости ⑥ на панели управления или воспользуйтесь кнопками VOL+/- ⑭ на ПДУ.
- Выберите желаемый уровень тембра НЧ с помощью регуляторов BASS+/- ⑩ на сабвуфере.
- При прослушивании радио ориентируйте антенну для качественного приема, предварительно подключив ее к разъему FM ANT ⑪.
- После окончания использования АС не забудьте выключить устройство выключателем ON/OFF (②, положение OFF), а также вынуть шнур питания ③ из розетки.

6. РЕЖИМЫ РАБОТЫ

Режим Проигрывателя

- Система автоматически перейдет в режим проигрывателя, если установить USB flash card* в соответствующий разъем ⑭; или воспользоваться кнопкой ⑤ на передней панели либо нажать кнопку USB ③ на ПДУ. На LED-дисплее ① отобразится выбранный режим, затем количество найденных треков и порядковый номер воспроизводимого трека. Воспроизведение начнется автоматически.
- Для выбора трека можно непосредственно ввести его порядковый номер с ПДУ, используя цифровые кнопки ⑦ на ПДУ. На дисплее ① отобразится порядковый номер трека.
- Кнопкой REPEAT ⑥ на ПДУ можно выбрать режим воспроизведения («ONE» – повтор воспроизводимого трека; «RND» – проигрывание в случайном порядке; «ALL» – проигрывание всех треков на носителе).
- В режиме проигрывателя доступна функция эквалайзера. Для выбора предварительно установленных настроек воспользуйтесь кнопками EQ+ и EQ- ⑥ на ПДУ.

Режим Bluetooth

- Для передачи сигнала в этом режиме необходимо предварительно установить связь изделия с источником сигнала (см. рис. 5). Для этого выберите режим Bluetooth с помощью кнопки ⑤ на передней панели сабвуфера или кнопка BT ② на ПДУ. Через 2-3 секунды АС перейдет в режим поиска, а на дисплее ① будет мигать надпись красного цвета «bt».
- На источнике сигнала (телефон, ноутбук, смартфон и пр.) необходимо выбрать режим поиска устройств Bluetooth. На экране отобразится наименование «SVEN MS-315», с которым необходимо установить соединение**.
- При удачном подключении вы услышите системный звук а так же на дисплее ① надпись «bt» будет иметь постоянное свечение.
- Если подключение не состоялось, на дисплее ① надпись «bt» будет иметь прерывистое свечение. Необходимо повторно перевести АС в режим поиска (выключить и снова включить)***.
- Во время соединения с источником сигнала можно управлять проигрывателем источника сигнала с ПДУ или при помощи кнопки на передней панели сабвуфера.
- В режиме проигрывателя доступна функция эквалайзера. Для выбора предварительно установленных настроек воспользуйтесь кнопками EQ+/- ⑥ на ПДУ.

* При использовании USB flash носителя емкостью более 8 Gb возможно увеличение времени на обработку команд.

** Для соединения по BT с некоторыми моделями устройств, возможно, потребуется ввести код «0000».

*** Если изделие уже прописано в списке устройств источника, то повторная активация режима поиска необязательна. Выберите лишь имя изделия и команду «подключиться» на источнике.

Режим Радио

- Для перехода в режим радио необходимо при включенной АС воспользоваться кнопкой ⑤ на передней панели или FM ⑨ на ПДУ. На дисплее ① сабвуфера отобразится текущая частота приема.
- Для автоматического сканирования и запоминания найденных станций используйте длительное нажатие кнопки AUTO ④ на передней панели или длительное нажатие кнопки ⑩ на ПДУ. Повторное нажатие на эту кнопку до окончания сканирования остановит процесс сканирования. При сканировании на дисплее ① отображается частота, при запоминании станции кратковременно отображается присвоенный порядковый номер.
- Для ручного сканирования диапазона используйте кнопки TUNE-/+ ④ (вниз/вверх по частоте) на ПДУ. Для сохранения выбранной частоты нажмите кнопку SAVE/DELETE ⑯ на ПДУ, затем кнопками ③, ⑦ на передней панели или ⑤, ⑫ на ПДУ выберите номер ячейки для сохранения и повторно нажмите кнопку SAVE/DELETE ⑯. При сохранении на дисплее ① отобразится сообщение «SAU». Для удаления станции нажмите и удерживайте кнопку SAVE/DELETE ⑯, на дисплее ① отобразится «DEL».
- При наличии в памяти запомненных станций переключение осуществляется кратковременным нажатием кнопок ③, ⑦ на передней панели или ⑤, ⑫ на ПДУ. Также с цифрового поля ПДУ ⑦ возможен непосредственный ввод частоты. Радио настроится на заданную частоту в течении 2-3 сек.

Режим AUX

- Для перехода в режим AUX необходимо при включенном изделии воспользоваться кнопкой ⑤ на передней панели или кнопкой AUX ⑩ на ПДУ. На дисплее ① на передней панели сабвуфера отобразится «AUX».

Режим MUTE

- Для перехода в режим MUTE нажмите кнопку MUTE ⑬ на ПДУ. Чтобы выйти из режима MUTE, повторно нажмите кнопку ⑬ на ПДУ.

Примечание. По причине постоянного совершенствования программного обеспечения описание управления АС может отличаться от приведенного в данном руководстве. Последнюю версию руководства см. на сайте www.sven.fi.

7. УСТРАНЕНИЕ НЕИСПРАВНОСТЕЙ

Неисправность	Причина	Способ устранения
АС не включается.	Не подключена к сети.	Проверьте подключение к сети.
	Не включен сетевой выключатель на задней панели.	Включите выключатель.
Нет звука или в колонках АС слишком тихий звук.	Регулятор громкости на передней панели установлен в положение наименьшей громкости.	Подстройте регулятор громкости.
	Неправильно подключен источник аудиосигнала.	Подключите правильно источник сигнала.
Искажение звука.	Большая амплитуда входного сигнала.	Регуляторами громкости на источниках сигнала и АС уменьшите величину входного сигнала.
Не функционирует пульт ДУ.	Разряжены батарейки.	Замените батарейки на новые.

Если ни один из указанных выше способов не решает проблему, обратитесь за профессиональной консультацией в ближайший сервис-центр. Не ремонтируйте изделие самостоятельно.

8. ТЕХНИЧЕСКИЕ ХАРАКТЕРИСТИКИ

Характеристики и единицы измерения	Значение
Выходная мощность (RMS), Вт: сабвуфер сателлиты	46 (20 + 2 × 13) 20 2 × 13
Диапазон частот, Гц: сабвуфер сателлиты	40 – 150 125 – 22 000
Номинальный ток потребления, А	0,1
Напряжение питания, В/Гц	~230/50
Размеры, мм: сабвуфер сателлиты (одна колонка)	176 × 237 × 300 95 × 152 × 97
Вес, кг	3,62

Примечания. Технические характеристики, приведенные в таблице, справочные и не могут служить основанием для претензий. Продукция ТМ SVEN постоянно совершенствуется. По этой причине технические характеристики и комплектность могут быть изменены без предварительного уведомления.

Дякуємо Вам за купівлю акустичної системи TM SVEN!

АВТОРСЬКЕ ПРАВО

© SVEN PTE. LTD. Версія 1.0 (28.10.2021).

Це Керівництво та інформація, що міститься в ньому, захищено авторським правом. Усі права застережені.

ТОРГОВЕЛЬНІ МАРКИ

Усі торговельні марки є власністю їх законних власників.

ПОПЕРЕДЖЕННЯ ПРО ОБМЕЖЕННЯ ВІДПОВІДАЛЬНОСТІ

Незважаючи на докладені зусилля зробити Керівництво точнішим, можливі деякі невідповідності. Інформація цього Керівництва надана на умовах «як є». Автор і видавець не несуть жодної відповідальності перед особою або організацією за збитки або uszkodження, завдані інформацією, що міститься у цьому Керівництві.

ЗМІСТ

ENG	2
RUS	10
UKR	18
1. РЕКОМЕНДАЦІЇ ПОКУПЦЕВІ	18
2. КОМПЛЕКТНІСТЬ	19
3. ЗАХОДИ БЕЗПЕКИ	19
4. ТЕХНІЧНИЙ ОПИС	19
5. ПІДГОТОВКА ТА ПОРЯДОК РОБОТИ	22
6. РЕЖИМИ РОБОТИ	23
7. УСУНЕННЯ НЕСПРАВНОСТЕЙ	25
8. ТЕХНІЧНІ ХАРАКТЕРИСТИКИ	25

1. РЕКОМЕНДАЦІЇ ПОКУПЦЕВІ

- Акуратно розпакуйте виріб, простежте за тим, щоб усередині коробки не залишилися якеневбудь приладдя. Перевірте пристрій на предмет пошкоджень. Якщо виріб пошкоджено притранспортуванні, зверніться у фірму, що здійснює доставку; якщо виріб не функціонує, відразу ж зверніться до продавця.
- Просимо Вас перевірити комплектність і наявність гарантійного талона. Переконайтеся в тому, що в гарантійному талоні проставлено штамп магазину, розбірливий підпис або штамп продавця і дата продажу, номер товару співпадає зі вказаним у талоні. Пам'ятайте, що при втраті гарантійного талона або неспівпаданні номерів ви втрачаєте право на гарантійний ремонт.
- Не вмикайте виріб одразу після того, як внесли його в приміщення, якщо надворі мінусова температура! Розпакований виріб необхідно витримати в умовах кімнатної температури не менше 4-х годин.
- Перед експлуатацією пристрою уважно ознайомтеся з цим Керівництвом і збережіть його на увесь період користування.
- Перевезення і транспортування обладнання допускається лише у заводській упаковці.
- Не вимагає спеціальних умов для реалізації.
- Утилізацію проводити відповідно до правил утилізації побутової та комп'ютерної техніки.
- Дата виробництва товару вказано на коробці.

Технічна підтримка розміщена на сайті www.sven.fi.

Також тут Ви зможете знайти оновлену версію цього Керівництва.

2. КОМПЛЕКТНІСТЬ

- Сабвуфер — 1 шт.
- Сателіти — 2 шт.
- Пульти дистанційного управління (ПДУ) — 1 шт.
- Елементи живлення типу ААА — 2 шт.
- Сигнальний кабель — 1 шт.
- Антенний провід — 1 шт.
- Комплект настінного кріплення для сателітів — 2 шт.
- Керівництво з експлуатації — 1 шт.
- Гарантійний талон — 1 шт.

3. ЗАХОДИ БЕЗПЕКИ



Увага! Усередині корпусу на елементах без ізоляції є висока напруга, що може викликати ураження електричним струмом.

- Щоб уникнути ураження електричним струмом, не розбирайте АС і не ремонтуйте самостійно. Обслуговування і ремонт повинні здійснювати лише кваліфіковані фахівці сервісного центру. Перелік авторизованих сервісних центрів дивіться на сайті www.sven.fi
- Не допускайте замикання дротів (у тому числі й «заземлених») колонок АС між собою, на корпус підсилювача і на землю, бо це призводить до пошкодження вихідних каскадів підсилювача.
- Забороняється торкатися до штирів мережної вилки апаратури протягом 2 сек. з моменту вилучення вилки з розетки.
- Оберегайте АС від потрапляння в отвори сторонніх предметів.
- Оберегайте АС від підвищеної вологості, потрапляння води і пилу.
- Оберегайте АС від нагрівання: встановлюйте її не ближче ніж 1 м від нагрівальних приладів. Не піддавайте впливу прямих сонячних променів.
- Не розміщуйте на АС, а також поблизу системи жодних джерел відкритого полум'я.
- Не встановлюйте АС в місцях з недостатньою вентиляцією. Мінімальний доступ повітря — 10 см. Під час експлуатації АС не ставте на неї будь-які пристрої, не вкривайте серветками або подібними предметами, що заважають охолодженню.
- Не застосовуйте хімічні реагенти для чищення АС, використовуйте м'яку суху тканину.

4. ТЕХНІЧНИЙ ОПИС

Акустична система 2.1 (АС) MS-315 призначена для відтворення музики і озвучування ігор, фільмів тощо. АС оснащена вмонтованим підсилювачем потужності завдяки чому вона може бути підключена практично до будь-яких джерел аудіосигналу (CD/DVD-програвачів, телевізора, ПК тощо) без використання додаткового підсилювача потужності. АС має вмонтовані FM-радіо, програвач аудіофайлів і BT модуль. В комплекті ПДУ.

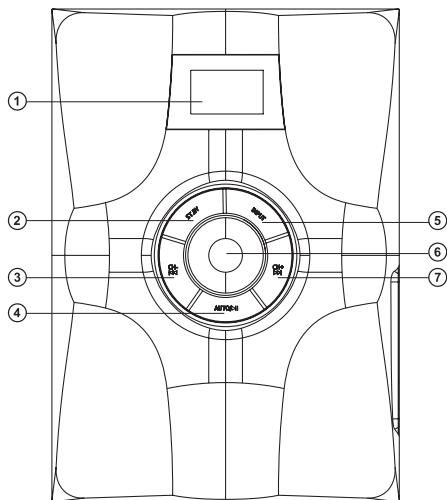
Особливості АС

- Акустична система сумісна з PC, DVD/Media-програвачами, мобільними телефонами та іншими джерелами звуку
- Безпроводна передача сигналу по Bluetooth
- Відтворення музики з USB flash
- Вбудоване FM-радіо
- LED-дисплей
- Роз'єми для підключення USB flash, SD card.
- Матеріал корпусу сабвуфера – дерево (MDF)

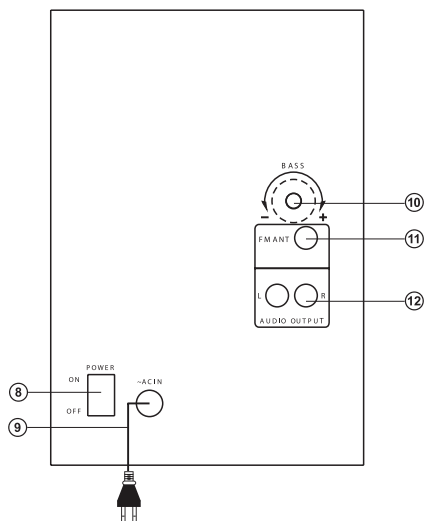
Панелі управління сабвуфера

- ① LED дисплей
- ② ST-BY: черговий режим
- ③ CH-/◀◀: збільшення гучності (короткочасне натиснення);
Перехід на попередній трек (тривале натиснення в режимі Програвач);
Попередня станція* (тривале натиснення у режимі Радіо)
- ④ AUTO/▶▶: Відтворення/Пауза (короткочасне натиснення в режимі Програвач);
Вимикання гучності (короткочасне натиснення в режимах FM і AUX);
Автоматичний пошук старт/стоп (тривале натиснення у режимі Радіо);
Від'єднання від підключеного пристрою (тривале натиснення)
- ⑤ INPUT: перемикання входів, режимів Bluetooth/AUX/FM/Програвач (короткочасне натиснення)
- ⑥ Регулювання рівня гучності (поворот регулятора вправо / вліво)
- ⑦ CH+/▶▶: збільшення гучності (короткочасне натиснення);
Перехід на наступний трек (тривале натиснення в режимі Програвач);
Наступна станція* (тривале натиснення у режимі Радіо)
- ⑧ ON/OFF: вимикач живлення ON/OFF
- ⑨ Шнур живлення
- ⑩ BASS: регулювання рівня НЧ
- ⑪ FM ANT: роз'єм для підключення антени приймача
- ⑫ AUDIO OUTPUT: роз'єм для підключення сателітів
- ⑬ AUX: роз'єм для підключення лінійного входу
- ⑭ USB: роз'єм для установки USB flash носія з музичними файлами, записаними у форматі MP3, WAV

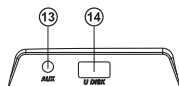
* Перемикання цих частот відбувається за наявності записаних у пам'яті станцій.



Мал. 1. Панель управління сабвуфера



Мал. 2. Задня панель сабвуфера

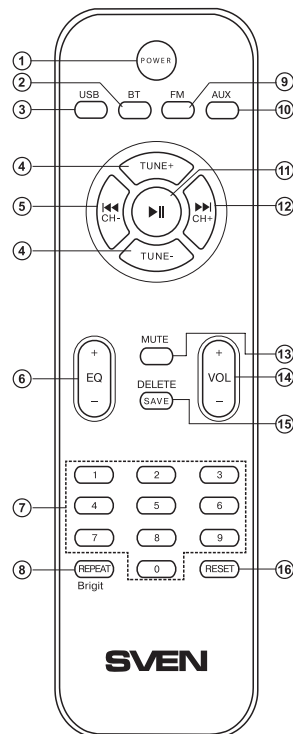


Мал. 3. Бокова панель сабвуфера

Керівництво з експлуатації

Пульт дистанційного управління

- ① POWER: Увімкнення / вимкнення АС
 ② BT: кнопка вмикання режиму ВТ
 ③ USB: кнопка вмикання режиму MP3-програвача з USB card носія*
 ④ TUNE+/-: ручне сканування діапазону (в режимі Радіо)
 ⑤ CH-/◀◀: перехід на попередній трек (короткочасне натиснення в режимі Програвач і ВТ);
 Перехід на попередню станцію** (короткочасне натиснення в режимі Радіо);
 Перемотка треку в USB режимі (тривале натиснення)
 ⑥ EQ+/-: кнопка перемикання предустановок еквалайзера (доступна тільки в режимі Програвач і ВТ)
 ⑦ 0-9: цифрове поле
 ⑧ REPEAT/Brigit: кнопка вибору режиму роботи Програвача; Зміна яскравості дисплея (тривале натиснення)
 ⑨ FM: кнопка включення режиму Радіо
 ⑩ AUX: кнопка вибору стереовходу AUX
 ⑪ ▶▶: Відтворення/Пауза (в режимі Програвач); Автопошук радіостанцій (тривале натиснення у режимі FM-радіо);
 Від'єднання від підключеного пристрою (тривале натиснення)
 ⑫ CH+ /▶▶: перехід на наступний трек (короткочасне натиснення в режимі Програвач і ВТ);
 Перехід на наступну станцію** (короткочасне натиснення в режимі Радіо);
 Перемотка треку в USB режимі (тривале натиснення)
 ⑬ MUTE: кнопка вмикання/вимкнення гучності
 ⑭ VOL+/-: регулятор загальної гучності
 ⑮ SAVE/DELETE: запам'ятовування вибраної частоти (короткочасне натиснення в режимі Радіо);
 Видалення станції (тривале натиснення)
 ⑯ RESET: скидання аудіоналаштувань



Мал. 4. Пульт ДУ

Встановлення батарейок у пульт ДУ

- Відкрийте відсік для батарейок на задній стороні пульта ДУ.
- Вставте батарейки типу ААА (з комплекту).
- Закрийте відсік для батарейок.

Примітки. Використовуйте ПДУ під кутом не більше 30° на відстані не більше 7 метрів. Спрямуйте ПДУ на ІЧ-приемник на сабвуфері. Якщо ПДУ не працює, перевірте наявність батарейок або замініть розряджені на нові. Виймайте батареї з пульта, якщо не збираєтеся користуватися ним протягом тривалого часу (понад тиждень).

* Носії потрібно відформатувати в FAT, FAT32. Можна використовувати карти пам'яті SDHC class 10 і нижче. Не рекомендується підключення зовнішніх жорстких дисків та інших пристроїв, відмінних від USB flash — це може призвести до пошкодження АС.

** Перемикання цих частот відбувається за наявності записаних у пам'яті АС станцій.

5. ПІДГОТОВКА ТА ПОРЯДОК РОБОТИ

Розташування АС

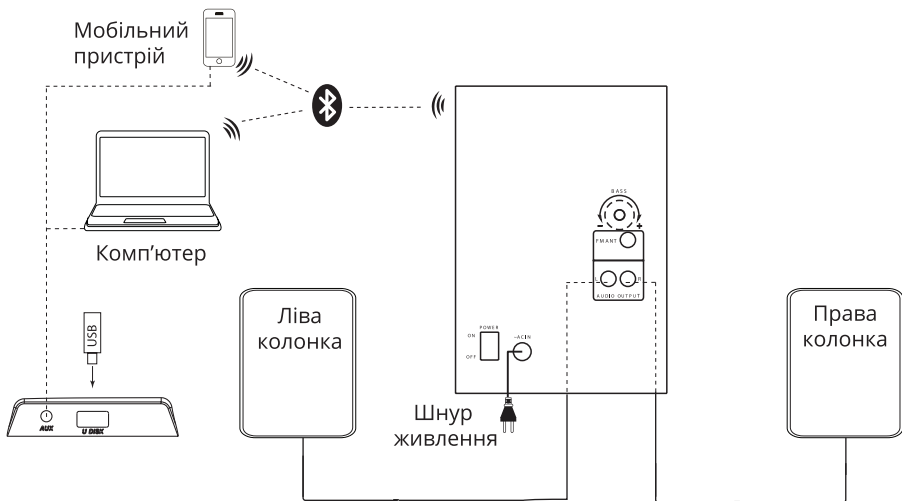
- Розташуйте колонки відносно слухача симетрично на відстані не менше одного метра. Сабвуфер випромінює неспрямований звук, тому його можна розташувати в будь-якому місці кімнати, де сабвуфер звучатиме якнайкраще.
- Можливе невелике спотворення зображення у надчутливих моніторів і телевизорів, тому встановлюйте АС якомога далі від цих пристроїв.

Підключення АС

Модель MS-315 можна підключити практично до будь-яких джерел аудіосигналу: DVD/CD-плеєрів, ПК, ноутбуку тощо (див. схему на мал. 5).

- Перед підключенням переконайтеся, що АС відключена від мережі.
- З'єднайте сателіти з сабвуфером, використовуючи акустичні кабелі, вбудовані в колонки.
- Для підключення АС до ПК, MP3/CD-плеєрів використовуйте сигнальний кабель міні jack 3.5 mm к міні jack 3.5 mm (з комплекту).
- Підключіть сабвуфер до мережі за допомогою шнура живлення ④.
- Увімкніть живлення АС вимикачем ON/OFF (⑤, ON) на задній стінці сабвуфера. АС перейде в черговий режим.
- Увімкніть вибір за допомогою кнопки ① на ПДУ або з кнопки ② на панелі управління.
- Оберіть бажане джерело сигналу кнопкою ③ на панелі управління або натисненням кнопок: USB ③, BT ②, AUX ⑩, FM ⑨.

Попередження! Перед підключенням всі компоненти системи мають бути вимкнені.



Мал. 5. Схема підключення

- Оберіть бажаний рівень гучності системи за допомогою регулятора ⑥ на панелі управління або скористайтеся кнопками VOL+/- ⑭ на ПДУ.
- Оберіть бажаний рівень тембру НЧ за допомогою регуляторів BASS+/- ⑩ на сабвуфері.
- Під час прослуховування радіо зорієнтуйте антену для якісного прийому, попередньо під ключивши її до роз'єму FM ANT ⑪.
- Після закінчення використання АС не забудьте вимкнути пристрій вимикачем ON/OFF (⑧, положення OFF), а також вийняти шнур живлення ⑨ з мережі.

6. РЕЖИМИ РОБОТИ

Режим Програвача

- Система автоматично перейде в режим програвача, якщо встановити USB flash card* у відповідний роз'єм ⑭; або скористатися кнопкою ⑤ на передній панелі або натиснути кнопку USB ③ на ПДУ. На LED-дисплеї ① відобразиться вибраний режим, потім кількість знайдених треків і порядковий номер відтворюваного трека, далі час відтворення від початку. Відтворення розпочнеться автоматично.
- Для вибору трека можна безпосередньо ввести його порядковий номер з ПДУ, використавши цифрові кнопки ⑦ на ПДУ. На дисплеї ① відобразиться порядковий номер трека.
- Кнопкою REPEAT ⑥ на ПДУ можна вибрати режим відтворення («ONE» — повтор відтворного трека; «RND» — програвання у випадковому порядку; «ALL» — програвання усіх треків на носіїві).
- У режимі програвача доступна функція еквайзера. Для вибору попередньо встановлених налаштувань скористайтеся кнопками EQ+ і EQ- ⑥ на ПДУ.

Режим Bluetooth

- Для передачі сигналу в цьому режимі необхідно попередньо встановити зв'язок виробу з джерелом сигналу (див. мал. 5). Для цього виберіть режим Bluetooth за допомогою кнопки ⑤ на передній панелі сабвуфера або кнопка BT ② на ПДУ. Через 2-3 секунди АС перейде в режим пошуку, а на дисплеї ① буде блимає червоного кольору «bt».
- На джерелі сигналу (телефон, ноутбук, смартфон та ін.) Необхідно вибрати режим пошуку пристроїв Bluetooth. На екрані відобразиться найменування «SVEN MS-315», з яким необхідно встановити з'єднання**.
- При вдалому підключенні ви почуєте системний звук а так само на дисплеї ① напис «bt» матиме постійне свічення.
- Якщо підключення не відбулося, на дисплеї ① напис «bt» матиме переривчасте свічення. Необхідно повторно перевести АС в режим пошуку (вимкнути і знову включити)***.
- Під час з'єднання з джерелом сигналу можна управляти програвачем джерела сигналу з ПДУ або за допомогою кнопки на передній панелі сабвуфера.
- У режимі програвача доступна функція еквайзера. Для вибору попередньо встановлених налаштувань скористайтеся кнопками EQ +/- ⑥ на ПДУ.

* При використанні USB flash носія місткістю більше 8 Gb можливе збільшення часу на опрацювання команд.

** Для з'єднання з деякими моделями пристроїв через Bluetooth, можливо, треба буде ввести код «0000».

*** Якщо виріб вже прописано в списку пристроїв джерела звуку, то повторна активація режиму пошуку не обов'язкова. Виберіть лише ім'я виробу і команду «підключитися» на джерелі звуку.

Режим Радіо

- Для переходу в режим радіо необхідно при увімкненій АС скористатися кнопкою ⑤ на передній панелі або кнопкою FM ⑨ на ПДУ. На дисплеї ① сабвуфера відобразиться поточна частота.
- Для автоматичного сканування та запам'ятовування знайдених станцій використовуйте короткочасне натиснення кнопки AUTO ④ на передній панелі або тривале натискання кнопки ⑩ на ПДУ. Повторне натиснення до закінчення сканування зупинить цей процес. Під час сканування на дисплеї ① відображається частота, а під час запам'ятовування станції короткочасно відображається присвоєний їй порядковий номер.
- Для ручного сканування діапазону використовуйте кнопки TUNE-/+ ④ (вниз/вгору за частотою) на ПДУ. Для збереження вибраної частоти натисніть кнопку SAVE/DELETE ⑮ на ПДУ, потім кнопками ③, ⑦ на передній панелі або ⑤, ⑫ на ПДУ оберіть номер для збереження і повторно натисніть кнопку SAVE/DELETE ⑮. Під час збереження на дисплеї ① відобразиться повідомлення «SAU». Для видалення станції натисніть і утримуйте кнопку SAVE/DELETE ⑮, на дисплеї ① відобразиться «DEL».
- За наявності в пам'яті запам'ятованих станцій перемикання здійснюється короткочасним натисканням на кнопки ③, ⑦ на передній панелі або ⑤, ⑫ на ПДУ. Також з цифрового поля ПДУ ⑦ можливе безпосереднє введення частоти. Радіо налаштується на задану частоту протягом 2-3 сек.

Режим AUX

- Для переходу в режим AUX необхідно при увімкненій АС скористатися кнопкою ⑤ на передній панелі чи кнопкою AUX ⑩ на ПДУ. На дисплеї ① на передній панелі відобразиться «AUX».

Режим MUTE

- Для переходу в режим MUTE натисніть кнопку MUTE ⑬ на ПДУ. Щоб вийти з режиму MUTE, повторно натисніть кнопку ⑬ на ПДУ.

Примітка. Внаслідок постійного удосконалення програмного забезпечення опис експлуатації АС може відрізнятися від наведеного у цьому керівництві. Останню версію керівництва див. на сайті www.sven.fi.

7. УСУНЕННЯ НЕСПРАВНОСТЕЙ

Несправність	Причина	Спосіб усунення
АС не вмикається	Не підключена до мережі живлення.	Перевірте правильність підключення.
	Не увімкнено мережевий вимикач.	Увімкніть вимикач.
Немає звуку або в колонках АС занадто тихий звук.	Регулятор гучності встановлено в положення найменшої гучності.	Підкрутіть регулятор гучності.
	Неправильно підключено джерело аудіосигналу.	Підключіть правильно джерела сигналу.
Спотворення звуку.	Велика амплітуда вхідного сигналу.	Регуляторами гучності джерела сигналу та АС зменшіть величину вхідного сигналу.
Не функціонує пульт ДУ.	Розряджені батарейки.	Замініть батарейки на нові.

Якщо жоден зі вказаних вище способів не вирішує проблему, зверніться за професійною консультацією до найближчого до Вас сервісного центру. Не ремонтуйте АС самостійно.

8. ТЕХНІЧНІ ХАРАКТЕРИСТИКИ

Характеристики та одиниці виміру	Значення
Вихідна потужність (RMS), Вт: сабвуфер сателіти	46 (20 + 2 × 13) 20 2 × 13
Діапазон частот, Гц: сабвуфер сателіти	40 – 150 125 – 22 000
Номінальний струм, А	0,1
Напруга живлення, В/Гц	~230/50
Розміри, мм: сабвуфер сателіти (одна колонка)	176 × 237 × 300 95 × 152 × 97
Вага, кг	3,62

Примечания. Технические характеристики, приведенные в таблице, справочные и не могут служить основанием для претензий. Продукция ТМ SVEN постоянно совершенствуется. По этой причине технические характеристики и комплектность могут быть изменены без предварительного уведомления.

2.1 Multimedia Speaker System with Bluetooth

SVEN®

Model: MS-315

Importer: Tiralana OY, Office 102, Kotolahdentie 15, 48310 Kotka, Finland.

Модель: MS-315

Импортер в России: ООО «Регард», 105082, г. Москва, ул. Фридриха Энгельса, д.75, стр. 5. Уполномоченная организация в России: ООО «РТ-Ф», 105082, г. Москва, ул. Фридриха Энгельса, д. 56, стр. 1. Условия гарантийного обслуживания смотрите в гарантийном талоне или на сайте www.sven.fi. Гарантийный срок: 12 мес. Срок службы: 5 лет. Производитель: «СВЕН ПТЕ. Лимитед», 176 Джу Чиат Роуд, № 02-02, Сингапур, 427447. Произведено под контролем «Свен Скандинавия Лимитед», 48310, Финляндия, Котка, Котолахдентие, 15. Сделано в Китае.

Модель: MS-315

Постачальник/імпортер в Україні: ТОВ «СВЕН Центр», 08400, Київська область, м. Переяслав-Хмельницький, вул. Героїв Дніпра, 31, телефон (044) 233-65-89/98. Призначення, споживчі властивості та відомості про безпеку товару дивіться у Керівництві з експлуатації. Умови гарантійного обслуговування дивіться в гарантійному талоні або на сайті www.sven.fi. Гарантійний термін: 12 міс. Строк служби: 5 років. Товар сертифіковано/має гігієнічний висновок. Шкідливих речовин не містить. Зберігати в сухому місці.

Виробник: «СВЕН ПТЕ. Лимитед», 176 Джу Чиат Роуд, № 02-02, Сингапур, 427447. Виготовлено під контролем «Свен Скандинавия Лимитед», 48310, Фінляндія, Котка, Котолахдентіє, 15. Зроблено в Китаї.

Manufacturer: SVEN PTE. LTD, 176 Joo Chiat Road, № 02-02, Singapore, 427447.

Produced under the control of Oy Sven Scandinavia Ltd. 15, Kotolahdentie, Kotka, Finland, 48310. Made in China.

® Registered Trademark of Oy SVEN Scandinavia Ltd. Finland.



MS-315