

SVEN®
YOU WANT – WE CAN

2.1 Multimedia Speaker System

OPERATION MANUAL



MS-311

**MS-311
GLAMOUR**

www.sven.fi

Congratulations on your purchase of the Sven speaker system!**COPYRIGHT**

© 2014. SVEN PTE. LTD. Version 1.0 (V 1.0).

This Manual and information contained in it are copyrighted. All rights reserved.

TRADEMARKS

All trademarks are the property of their legal holders.

NOTICE OF RESPONSIBILITY RESTRICTION

Despite the exerted efforts to make this Manual more exact, some discrepancies may occur. The information in this Manual is given on «as is» terms. The author and the publisher do not bear any liability to a person or an organization for loss or damage which has arisen from the information contained in this Manual.

CONTENTS

1. BUYER RECOMMENDATIONS	1
2. PACKAGE CONTENTS	2
3. SAFETY PRECAUTIONS	2
4. TECHNICAL DESCRIPTION	2
5. PREPARATION AND OPERATION	3
6. TROUBLESHOOTING	5
7. TECHNICAL SPECIFICATIONS	6

1. BUYER RECOMMENDATIONS

- Unpack the device carefully. Make sure there are no accessories left in the box. Check up the device for damage; if the product was damaged during transportation, address the firm which carried out the delivery; if the product functions incorrectly, address the dealer at once.
- Check up the package contents and availability of the warranty card. Make sure the warranty card has a shop stamp, a legible signature or the seller's stamp and purchase date, and the goods number corresponds to that in the warranty card.
- Do not switch on the speaker system immediately after you bring it into a room from environment with negative temperature! After unpacking, the speaker system should be kept in conditions of room temperature for at least 4 hours.
- Before installing and using the speaker system, read this Manual carefully and keep it for future reference.

Technical support is on www.sven.fi.

2. PACKAGE CONTENTS

- Subwoofer — 1 pc
- Satellites — 2 pcs
- Mini-jack Ø 3,5 mm to mini-jack Ø 3,5 mm signal cable — 1 pc
- Mini-jack Ø 3,5 mm to 2RCA adapter — 1 pc
- Operation manual — 1 pc
- Warranty card — 1 pc

3. SAFETY PRECAUTIONS



Caution! High voltage inside! To avoid the risk of electric shock do not open or touch elements inside.

- To avoid electric shock, do not open the MSS and do not perform repairs by yourself. Service and repairs should be performed only by qualified specialists in an authorized service center. The list of authorized service centers is available on www.sven.fi
- Do not allow the circuit of wires (including the grounded ones) between the speakers, on the power amplifier or the ground, for it causes damage to the power amplifier output stage.
- Do not touch the MSS power cord plug pins for 2 seconds after unplugging it from the mains.
- Disconnect the MSS from the mains system during a fuse replacement. Use fuses of the same type and rated value. Do not use hand-made fuses.
- Do not put foreign objects inside the holes of the MSS.
- Protect the MSS from high humidity, water and dust.
- Protect the MSS from heating: do not place it closer than 1 m from a heat source. Do not expose it to direct sunlight.
- Do not place any open flame sources on or close to MSS.
- Do not place the MSS in poorly ventilated areas. Leave an air gap of 10 cm or more. When operating the MSS, do not put any devices on it, do not cover it with cloth or other objects preventing it from cooling.
- Do not use any chemical agents for cleaning. Clean it with dry soft cloth only.

4. TECHNICAL DESCRIPTION

MS-311/MS-311 Glamour 2.1 Multimedia Speaker Systems (MSS) are designed to play music and sound games, movies, etc. The MSS has a built-in power amplifier, audio cables built into the satellites enabling to connect it to virtually any audio source (CD/DVD player, TV, PC, etc.) without using an additional power amplifier.

Special features

- Built-in power amplifier
- Volume, bass and treble control
- Speaker system is compatible with PCs, DVD/Media-players, mobile devices and other sound sources
- Two-way satellites
- Slotted bass reflex ports, stylish control panel illumination
- Magnetic shielding
- Wall-mountable satellites
- MDF subwoofer and satellites cabinets

Operation Manual

MS-311
MS-311 GLAMOUR**Front and rear subwoofer panels**

- ① POWER: power switch
- ② BASS: bass control knob
- ③ TREBLE: treble control knob
- ④ VOLUME: volume control knob
- ⑤ Control panel illumination
- ⑥ INPUT: audio source input
- ⑦ LEFT: left satellite output
- ⑧ RIGHT: right satellite output
- ⑨ Power cord

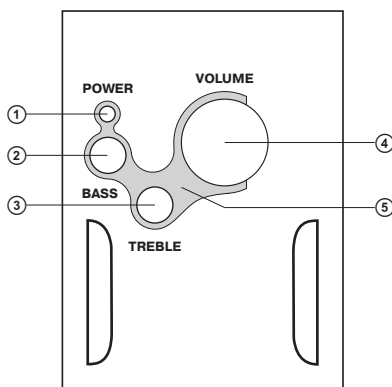


Fig. 1. Subwoofer front panel*

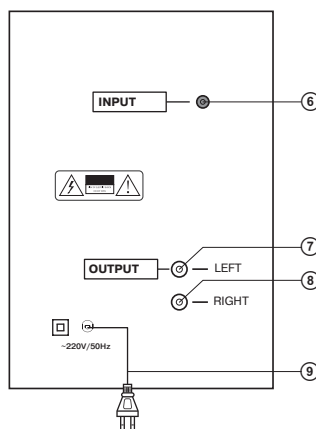


Fig. 2. Subwoofer rear panel

* MS-311 Glamour is singled out by its bright design of the front panel.

5. PREPARATION AND OPERATION**Speaker placement**

- Place the speakers symmetrically to the listener at least one meter away. The subwoofer emits non-directional sound, therefore it can be located in any place of the room where it sounds the best.
- Place MSS far away from monitors and TV sets, as insignificant image distortion in these super-sensitive devices is possible.

MSS connecting and control

MS-311 and MS-311 Glamour Multimedia Speaker Systems can be connected to virtually any audio source: DVD/CD, PC sound card, etc. (see connection diagram in Fig. 3).

- Before making any connections, make sure that the MSS is switched off. Then connect the audio cables built into the speakers to the OUTPUT jack of the subwoofer: the left speaker to the LEFT output (7), the right speaker to RIGHT output (8) (see connection diagram in Fig. 3).
- Insert the mini-jack (Ø 3.5 mm) of the signal cable (included) into the INPUT jack of the subwoofer (6), then connect it to the LINE OUT port of your PC sound card or to the output jack of your MP3/CD player (see connection diagram above).

2.1 Multimedia Speaker System

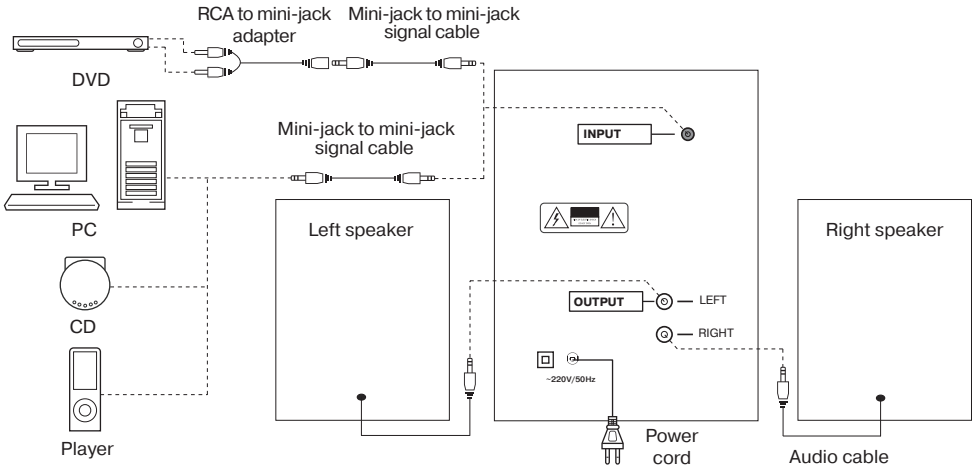


Fig. 3. Connection diagram

Notes:

- **Sound quality is directly affected by correctness and reliability of the connection of cables. We recommend that you use the cables included in the package contents of the MSS. Usually, the right channel is marked in red, and the left channel is marked in white.**
- **To connect the MSS to a CD/DVD player or TV, use the mini-jack to mini-jack signal cable with the RCA to mini-jack adapter (included).**
- Adjust the VOLUME knob ④ on the subwoofer to its minimum, then connect the subwoofer to a mains outlet via the built-in power cord ⑨.
- Switch on the subwoofer with the POWER switch ①. Then turn on your audio source and adjust the subwoofer volume level with the VOLUME knob ④, the bass and treble levels with BASS ② and TREBLE ③ knobs respectively.
- After using the MSS, mind to shift the POWER switch ① into the OFF position, and unplug the power cord.

6. TROUBLESHOOTING

Problem	Cause	Solution
The MSS does not turn on.	The MSS isn't connected to a mains outlet.	Check the connection.
	The power switch is off.	Turn on the switch.
No sound.	The volume level is set at minimum value.	Adjust the volume control knob.
	The audio source is improperly connected.	Connect audio sources correctly.
There is too quiet sound of speakers.	The volume level is set at minimum value.	Adjust the volume control knob.
Distortion of sound.	Large amplitude of the input signal.	Turn down the source volume and MSS volume.

If none of the above methods can solve the problem, please seek professional advice at your nearest service center. Never attempt to repair the product yourself.

7. TECHNICAL SPECIFICATIONS

Parameter, measurement unit	Value
Output power (RMS), W subwoofer satellites	36 (22 + 2 × 7) 22 2 × 7
Frequency range, Hz	30 – 20 000
S/N ratio, dB	≥ 65
Speaker diameter, mm subwoofer satellites (tweeter + midrange)	Ø 125 Ø 38 + Ø 75
Power supply, V/Hz	~220/50
Dimensions (W × H × D), mm subwoofer satellites (one satellite)	167 × 233 × 302 94 × 148 × 110
Weight, kg	4.8

Notes:

- **Technical specifications given in this table are supplemental information and cannot give occasion to claims.**
- **Technical specifications and package contents are subject to change without notice due to the improvement of SVEN production.**

2.1 Multimedia Speaker System

SVEN®
YOU WANT – WE CAN



Модели: **MS-311/MS-311 Glamour**

Импортер в России: ООО «СКАНДИТРЕЛ»,
111024, РФ, г. Москва, ул. Авиамоторная, д. 65, стр. 1.

Уполномоченная организация в России: ООО «РТ-Ф»,
105082, г. Москва, ул. Фридриха Энгельса, д. 75, стр. 5.

Условия гарантийного обслуживания смотрите
в гарантийном талоне или на сайте **www.sven.fi**.

Гарантийный срок: 12 мес. Срок службы: 5 лет.

Производитель: «СВЕН ПТЕ. Лимитед», 176

Джу Чиат Роуд, № 02-02, Сингапур, 427447.

Произведено под контролем «Свен Скандинавия
Лимитед», 48310, Финляндия, Котка, Котолахдентие, 15.
Сделано в Китае.

Manufacturer: SVEN PTE. LTD, 176 Joo Chiat Road,
№ 02-02, Singapore, 427447. Produced under the
control of Oy Sven Scandinavia Ltd. 15, Kotolahdentie,
Kotka, Finland, 48310. Made in China.

© Registered Trademark of Oy SVEN
Scandinavia Ltd. Finland.

MS-311

**MS-311
GLAMOUR**