

SVEN®
YOU WANT – WE CAN

2.1 Multimedia Speaker System

OPERATION MANUAL



MS-310

www.sven.fi

Congratulations on your purchase of the Sven speaker system!**COPYRIGHT**

© 2013. SVEN PTE. LTD. Version 1.0 (V 1.0).

This Manual and information contained in it are copyrighted. All rights reserved.

TRADEMARKS

All trademarks are the property of their legal holders.

NOTICE OF RESPONSIBILITY RESTRICTION

Despite the exerted efforts to make this Manual more exact, some discrepancies may occur. The information in this Manual is given on «as is» terms. The author and the publisher do not bear any liability to a person or an organization for loss or damage which has arisen from the information contained in this Manual.

CONTENTS

1. BUYER RECOMMENDATIONS	1
2. PACKAGE CONTENTS	2
3. SAFETY PRECAUTIONS	2
4. TECHNICAL DESCRIPTION	2
5. PREPARATION AND OPERATION	3
6. TROUBLESHOOTING	4
7. TECHNICAL SPECIFICATIONS	4

1. BUYER RECOMMENDATIONS

- Unpack the device carefully. Make sure there are no accessories left in the box. Check up the device for damage; if the product was damaged during transportation, address the firm which carried out the delivery; if the product functions incorrectly, address the dealer at once.
- Check up the package contents and availability of the warranty card. Make sure the warranty card has a shop stamp, a legible signature or the seller's stamp and purchase date, and the goods number corresponds to that in the warranty card.
- Do not switch on the speaker system immediately after you bring it into a room from environment with negative temperature! After unpacking, the speaker system should be kept in conditions of room temperature for at least 4 hours.
- Before installing and using the speaker system, read this Manual carefully and keep it for future reference.

Technical support is on www.sven.fi.

2. PACKAGE CONTENTS

- Subwoofer — 1 pc
- Satellites — 2 pcs
- Mini-jack Ø 3.5 mm to mini-jack Ø 3.5 mm signal cable — 1 pc
- Mini-jack Ø 3.5 mm to 2RCA adapter — 1 pc
- Operation manual — 1 pc
- Warranty card — 1 pc

3. SAFETY PRECAUTIONS



Caution! High voltage inside! To avoid the risk of electric shock do not open or touch elements inside.

- To avoid electric shock, do not open the MSS and do not perform repairs by yourself. Service and repairs should be performed only by qualified specialists in an authorized service center. The list of authorized service centers is available on www.sven.fi
- Do not allow the circuit of wires (including the grounded ones) between the speakers, on the power amplifier or the ground, for it causes damage to the power amplifier output stage.
- Do not touch the MSS power cord plug pins for 2 seconds after unplugging it from the mains.
- Do not put foreign objects inside the holes of the MSS.
- Protect the MSS from high humidity, water and dust.
- Protect the MSS from heating: do not place it closer than 1 m from a heat source. Do not expose it to direct sunlight.
- Do not place any open flame sources on or close to MSS.
- Do not place the MSS in poorly ventilated areas. Leave an air gap of 10 cm or more. When operating the MSS, do not put any devices on it, do not cover it with cloth or other objects preventing it from cooling.
- Do not use any chemical agents for cleaning. Clean it with dry soft cloth only.

4. TECHNICAL DESCRIPTION

MS-310 2.1 Multimedia Speaker System (MSS) is designed to play music and sound games, movies, etc. The MSS has a built-in power amplifier enabling to connect it to virtually any audio source (CD/DVD-player, TV, PC, etc.) without using an additional power amplifier.

Special features

- Volume, bass and treble control
- Speaker system is compatible with PCs, DVD/Media-players, mobile devices and other sound sources
- Magnetic shielding
- Power LED
- MDF subwoofer and satellites cabinets

Subwoofer front and rear panels (see Fig. 1-2)

- | | |
|-----------------------------------|--|
| ① POWER: power switch | ⑥ TREBLE MIN/MAX: treble control knob |
| ② BASS MIN/MAX: bass control knob | ⑦ POWER: power LED |
| ③ Control panel illumination | ⑧ AUDIO INPUT: audio source input |
| ④ Bass reflex port | ⑨ AUDIO OUTPUT Left: left satellite output |
| ⑤ VOLUME: volume control knob | ⑩ AUDIO OUTPUT Right: right satellite output |
| | ⑪ Power cord |

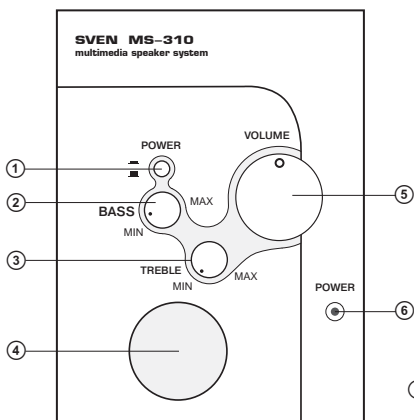


Fig. 1. Subwoofer front panel

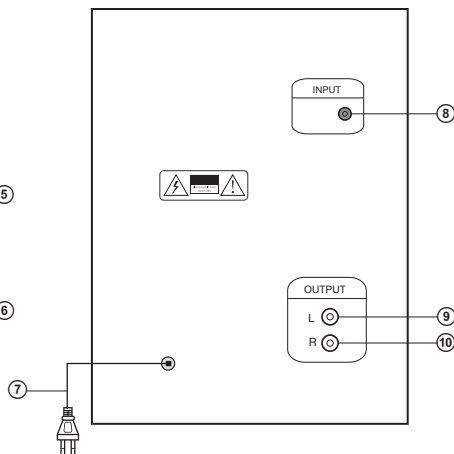


Fig. 2. Subwoofer rear panel

5. PREPARATION AND OPERATION

Speaker placement

- Place the speakers symmetrically to the listener at least one meter away. The subwoofer emits non-directional sound, therefore it can be located in any place of the room where it sounds the best.
- Place MSS far away from monitors and TV sets, as insignificant image distortion in these super-sensitive devices is possible.

Installation and operation

MS-310 Multimedia Speaker System can be connected to virtually any audio source (see connection diagram in Fig. 3).

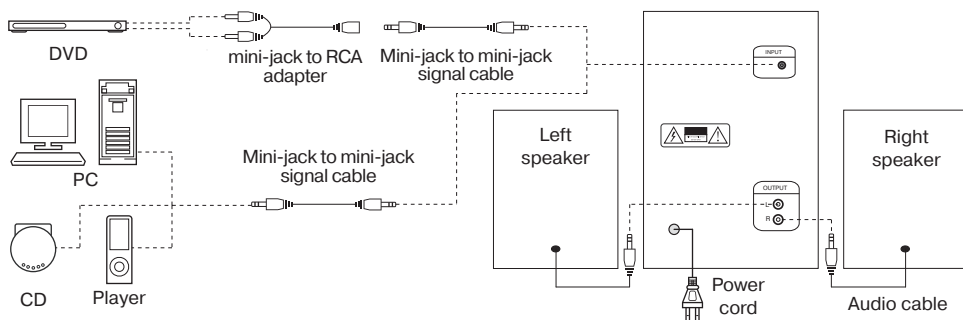


Fig. 3. Connection diagram

2.1 Multimedia Speaker System

- Before making any connections, make sure the MSS is switched off. Connect the audio cables built into the speakers to the OUTPUT jacks: the left speaker to L ⑨, the right speaker to R ⑩.
- Insert the mini-jack (Ø 3.5 mm) of the signal cable (included) into the INPUT jack ⑧, then connect it to the LINE OUT port of your PC sound card or the output jack of your MP3/CD player.

Note: The sound quality is directly affected by correctness and reliability of the connection of cables. We recommend that you use the cables included with the MSS. Usually, the right channel (R) is marked in red, and the left channel (L) is marked in white.

- Adjust the volume to its minimum with the VOLUME knob ⑤, then connect the subwoofer to the mains outlet via the built-in power cord ⑦.
- Switch on the subwoofer with the POWER switch ①, the power LED ⑥ will illuminate. Then turn on your audio source and adjust the subwoofer volume level with the VOLUME knob ⑤, the bass and treble level with the BASS control knob ② and TREBLE control knob ③ respectively.
- After using the MSS, mind to shift the POWER switch ① into the OFF position and unplug the power cord ⑦.

6. TROUBLESHOOTING

Problem	Cause	Solution
The MSS doesn't turn on.	The MSS isn't connected to a mains outlet.	Check the connection.
	The power switch is off.	Turn on the switch.
No sound or there is too quiet sound of speakers.	The volume level is set at minimum value.	Adjust the volume control knob.
	Improperly connected audio source.	Connect audio sources correctly.
Distortion of sound.	Large amplitude of the input signal.	Turn down the source volume and MSS volume.
Sound is produced by one of the channels only.	The speakers are improperly connected to the audio source.	Check the connection of speakers.

7. TECHNICAL SPECIFICATIONS

Parameter, measurement unit	Value
Output power (RMS), W	36 (22 + 2 × 7)
Frequency response, Hz	35 – 20,000
Speaker diameter, mm	
subwoofer	Ø 133
satellites (tweeter + midrange)	Ø 25 + Ø 75
Power supply, V/Hz	~220/50
Dimensions (W × H × D), mm	
subwoofer	156 × 282 × 230
satellites (one satellite)	95 × 145 × 180
Weight, kg	5.5

Notes. Technical specifications given in this table are supplemental information and cannot give occasion to claims. Technical specifications and package contents are subject to change without notice due to the improvement of SVEN production.

2.1 Multimedia Speaker System

SVEN®
YOU WANT – WE CAN



Модель: **MS-310**

Импортер в России: ООО «СКАНДИТРЕЛ»,
111024, РФ, г. Москва, ул. Авиамоторная, д. 65, стр. 1.

Уполномоченная организация в России: ООО «РТ-Ф»,
105082, г. Москва, ул. Фридриха Энгельса, д. 75, стр. 5.

Условия гарантийного обслуживания смотрите
в гарантийном талоне или на сайте **www.sven.fi**.

Гарантийный срок: 12 мес. Срок службы: 5 лет.

Производитель: «СВЕН ПТЕ. Лимитед», 176

Джу Чиаг Роуд, № 02-02, Сингапур, 427447.

Произведено под контролем «Свен Скандинавия
Лимитед», 48310, Финляндия, Котка, Котolahdentie, 15.
Сделано в Китае.

Manufacturer: SVEN PTE. LTD, 176 Joo Chiat Road,
№ 02-02, Singapore, 427447. Produced under the
control of Oy Sven Scandinavia Ltd. 15, Kotolahdentie,
Kotka, Finland, 48310. Made in China.

© Registered Trademark of Oy SVEN
Scandinavia Ltd. Finland.

MS-310