

SVEN[®]

2.1 Multimedia
Speaker System

USER MANUAL



MS-304 MS-307

www.sven.fi

Congratulations on your purchase of the Sven speaker system!**COPYRIGHT**

© SVEN PTE. LTD. Version 2.0 (14.09.2021).

This Manual and information contained in it are copyrighted. All rights reserved.

TRADEMARKS

All trademarks are the property of their legal holders.

NOTICE OF RESPONSIBILITY RESTRICTION

Despite the exerted efforts to make this Manual more exact, some discrepancies may occur. The information in this Manual is given on «as is» terms. The author and the publisher do not bear any liability to a person or an organization for loss or damage which has arisen from the information contained in this Manual.

CONTENTS

ENG	2
1. BUYER RECOMMENDATIONS	2
2. PACKAGE CONTENTS	3
3. SAFETY PRECAUTIONS	3
4. TECHNICAL DESCRIPTION	3
5. PREPARATION AND OPERATION	6
6. OPERATION MODES	7
7. TROUBLESHOOTING	10
8. TECHNICAL SPECIFICATIONS	10
RUS	11
UKR	20

1. BUYER RECOMMENDATIONS

- Unpack the device carefully. Make sure there are no accessories left in the box. Check up the device for damage; if the product was damaged during transportation, address the firm which carried out the delivery; if the product functions incorrectly, address the dealer at once.
- Check up the package contents and availability of the warranty card. Make sure the warranty card has a shop stamp, a legible signature or the seller's stamp and purchase date, and the goods number corresponds to that in the warranty card. Remember: in case of warranty card loss or discrepancy of numbers you forfeit the right for warranty repairs.
- Do not switch on the speaker system immediately after you bring it into a room from environment with negative temperature! After unpacking, the speaker system should be kept in conditions of room temperature for at least 4 hours.
- Before installing and using the speaker system, read this Manual carefully and keep it for future reference.
- Shipping and transportation equipment is permitted only in the original container.
- Does not require special conditions for realization.
- Dispose of in accordance with regulations for the disposal of household and computer equipment.
- The date of manufacture of the product is indicated on the box.

Technical support is on www.sven.fi.

User Manual

2. PACKAGE CONTENTS

- Subwoofer — 1 pc.
- Satellites — 2 pcs.
- Remote control (RC) — 1 pc.
- AAA type batteries — 2 pcs.
- Signal cable — 1 pc.
- Antenna wire — 1 pc.
- User manual — 1 pc.
- Warranty card — 1 pc.

3. SAFETY PRECAUTIONS

Caution! High voltage inside! To avoid the risk of electric shock do not open or touch elements inside.

- To avoid electric shock, do not open the MSS and do not perform repairs by yourself. Service and repairs should be performed only by qualified specialists in an authorized service center. The list of authorized service centers is available on www.sven.fi.
- Do not allow the circuit of wires (including the grounded ones) between the speakers, on the power amplifier or the ground, for it causes damage to the power amplifier output stage.
- Do not touch the MSS power cord plug pins for 2 seconds after unplugging it from the mains.
- Do not put foreign objects inside the holes of the MSS.
- Protect the MSS from high humidity, water and dust.
- Protect the MSS from heating: do not place it closer than 1 m from a heat source. Do not expose it to direct sunlight.
- Do not place any open flame sources on or close to MSS.
- Do not place the MSS in poorly ventilated areas. Leave an air gap of 10 cm or more. When operating the MSS, do not put any devices on it, do not cover it with cloth or other objects preventing it from cooling.
- Do not use any chemical agents for cleaning. Clean it with dry soft cloth only.

4. TECHNICAL DESCRIPTION

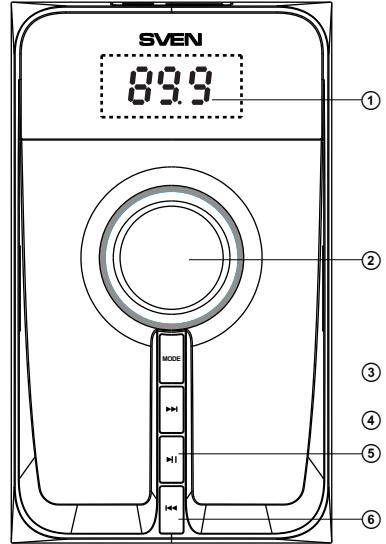
MS-304/MS-307 2.1 Multimedia Speaker System (MSS) is designed to play music and sound games, movies, etc. The MSS has a built-in power amplifier and audio cables enabling it to connect to virtually any audio source (CD/DVD-player, TV, PC, etc.) without using an additional power amplifier. The MSS has a built-in FM radio, Bluetooth module and audio files player. Remote control is included.

Features

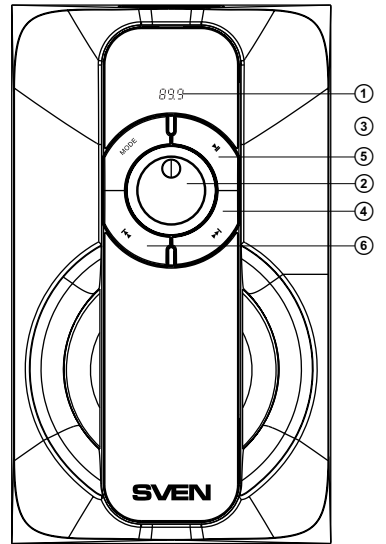
- Speaker system is compatible with PCs, DVD/Media-players, mobile devices and other sound sources.
- Wireless signal transmission via Bluetooth module.
- Built-in audio files player from external storage devices.
- Built-in FM radio.
- Alphanumeric LED display.
- USB flash port and SD card slot.
- Remote control.
- MUTE and ST-BY modes.
- Wooden (MDF) cabinets of the subwoofer and satellites.

Subwoofer control panels

- ① LED display.
- ② Volume level control knob.
- ③ MODE: switch button of PC/Bluetooth/FM/USB/SD/MMC.
- ④ ►►: next track (pressed short in the Player and Bluetooth mode); next station** (pressed short in the Radio mode).
- ⑤ ►|: Play/Pause (pressed short in the Player mode); Start/Stop auto scan (pressed short in the Radio mode).
- ⑥ ◀◀: previous track (pressed short in the Player and Bluetooth mode); previous station** (pressed short in the Radio mode).
- ⑦ USB: port for a USB flash device* containing MP3, WAV audio files.
- ⑧ SD/MMC: slot for SD/MMC cards* containing MP3, WAV audio files.
- ⑨ BASS: bass level control knob.
- ⑩ FM ANT: radio antenna input jack.
- ⑪ PC: jack to connect PC, mobile devices, and other audio sources.
- ⑫ AUDIO OUTPUT: jack to connect satellites.
- ⑬ ON/OFF: power switch.
- ⑭ Power cord.



MS-307



MS-304

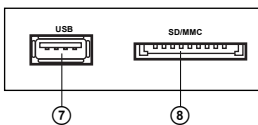


Fig. 1. Subwoofer control panel

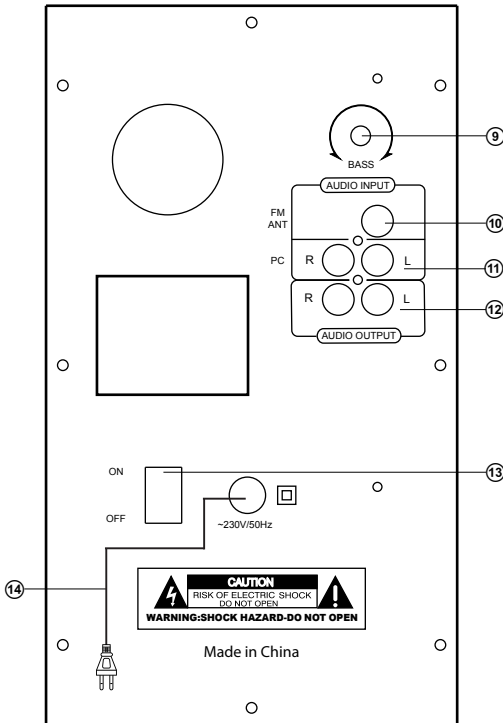


Fig. 2. Subwoofer rear panel

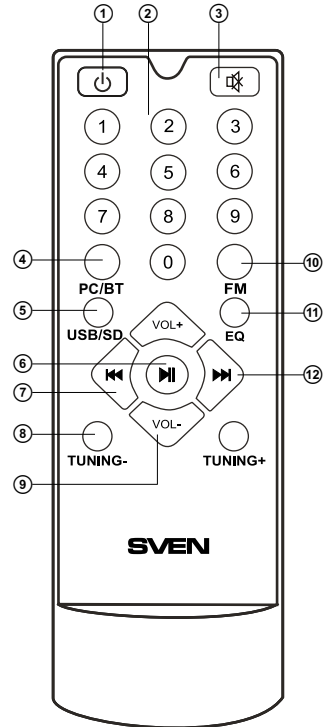


Fig. 3. Remote control

Remote control

- ① ⏻: On/Off button.
- ② 0-9: numeric pad.
- ③ 🔊: sound on/off button.
- ④ PC/BT: PC line input or Bluetooth mode selection.
- ⑤ USB/SD: playback audio files mode selection.
- ⑥ ⏸: Play/Pause (pressed short in the Player mode); auto scan start/stop (pressed short in the Radio mode).
- ⑦ ⏮: previous track (pressed short in the Player and Bluetooth mode); previous station** (pressed short in the Radio mode).
- ⑧ TUNING-/+ : buttons for manual radio frequency scanning. Increase/ decrease the frequency up to 100 kHz by pressing short. By pressing long the search mode is activated the first station (up/down the frequency range).
- ⑨ VOL+/-: volume level control buttons.
- ⑩ FM: Radio mode switch button.

⑪ EQ: equalizer mode switch button (in the Player mode).

⑫ ►►: next track (pressed short in the Player and Bluetooth mode); next station** (pressed short in the Radio mode).

Battery Installation

- Open the battery compartment on the back of the remote control.
- Insert the included AAA batteries.
- Close the battery compartment.

Notes. Use the RC at an angle no more than 30° at a distance of no more than 7 meters. If the remote control does not operate, check the batteries or replace the discharged batteries with new ones. Remove the batteries from the RC if you don't intend to use it for a long time (more than one week).

* The storage device must be formatted as FAT, FAT32. Memory cards SDHC class 10 or less can be used. Connection of external hard disks other than USB flash drive is not recommended, otherwise it can cause the MSS damage.

** The frequencies are switched if stations have been preset in the memory.

5. PREPARATION AND OPERATION

Speaker placement

- Place the speakers symmetrically to the listener at least one meter away. The subwoofer emits non-directional sound, therefore it can be located in any place of the room where it sounds the best.
- Place MSS as far away as possible from monitors and TV sets, to avoid insignificant image distortion.

Installation and operation

MS-304/MS-307 speaker system can be connected to virtually any audio devices: DVD/CD players, PCs, laptops, etc. (see connection diagram in Fig. 4).

- Before making any connections, make sure the MSS is off and unplugged. Then connect speakers to the subwoofer AUDIO OUTPUT L/R ② jacks using built-in audio cables. Connect the right speaker to the subwoofer AUDIO OUTPUT R and the left speaker — to the AUDIO OUTPUT L (see connection diagram in Fig. 4).

Note. Check the fixation connectors.

- To connect the MSS to a PC, MP3/CD player, use 2RCA to mini-jack signal cable (included). Connect the RCA jacks of the signal cable to the L and R jacks of the AUDIO INPUT ⑪, and the mini-jack (Ø 3.5 mm) of the signal cable — to the LINE OUT port of your PC sound card or to the audio output (OUTPUT) of your MP3/CD player, as shown in Fig. 4.
- To connect the MSS to a TV set or DVD/CD player, use 2RCA to 2RCA signal cable (not included). First connect the RCA jacks of the signal cable to the L and R jacks of AUDIO INPUT ⑪ and then connect RCA jacks to your TV set or DVD/CD player audio output jacks, as shown in Fig. 4.
- Connect the subwoofer to the mains outlet with the power cord ⑭.
- Turn on the MSS power supply using switch ③ (ON position) on the subwoofer rear panel.
- Turn on the MSS by pressing MODE button ③ on the front panel or ① button on the remote control.
- Select a desired signal source by pressing short MODE button ③ on the control panel or pressing corresponding button on the remote control.
- Adjust the master volume as desired with knob ② on the control panel or with the VOL+/- buttons ④ on the remote control.
- Use BASS+/- knob ⑤ on the rear panel to adjust the subwoofer volume level.

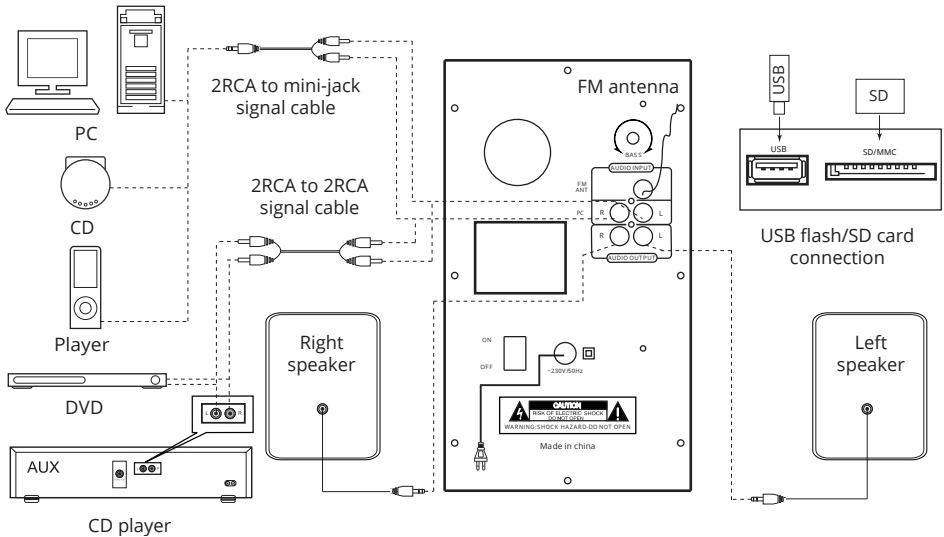


Fig. 4. Connection diagram

- In order to have the high-fidelity reception orient the antenna in direction of radio signal when listening to the radio, first connecting the antenna to FM ANT jack ⑩ (see Fig. 4).
- When the MSS operation is over, mind to switch it off using switch ⑬ (OFF position) and unplug the power cord ⑭ from the socket.

6. OPERATION MODES

Player Mode

- The system will enter the Player mode automatically when a carrier (USB flash or SD/MMC card)* is connected to corresponding ports ⑦ or ⑧; or press MODE button ③ on the front panel of the subwoofer or USB/SD button ⑤ on the remote control. The LED display ① will show the selected mode, then the number of the tracks found and the track's number on the play list and then the playback time. The playback will start automatically.
- To select a track, you can directly enter its number on the remote control using the numeric pad buttons ②. The display ① will show the track number for a short time and then the playback time elapsed.
- EQ mode (in the Player mode). There are 7 available preset settings: bas; pop; roc; jaz; cla; cou; nor.

* The operation may be incorrect if a SD card of 512 Mb capacity or lower is used. If a USB flash device of 8 Gb capacity or more is used, command processing time may be extended.

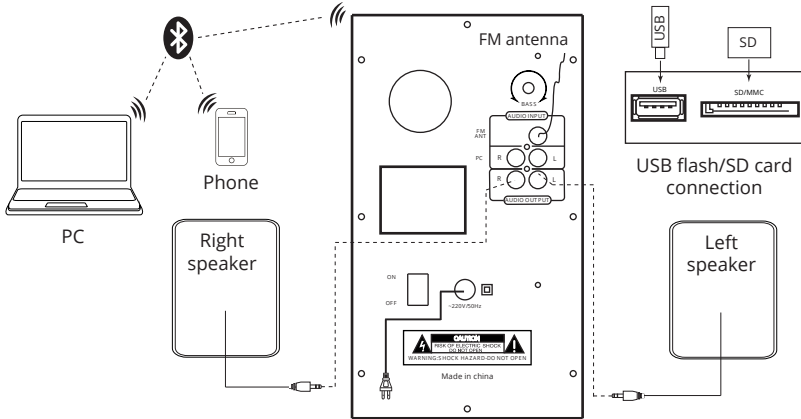


Fig. 5. Bluetooth module connection diagram

Bluetooth mode

- In order to transmit signal in this mode it is necessary at first to connect the device with a signal source (see Fig. 5). For this purpose select the Bluetooth mode using MODE button ③ on the front panel of the subwoofer or PC/BT button ④ on the remote control. After 2-3 seconds the speaker system will enter the search mode, BLUE mode will be shown on the display ①.
- It is necessary to select the search mode of devices with Bluetooth on a signal source (telephone, notebook, smartphone, etc.). «MS-304/MS-307» message will be displayed on the screen which it should be connected to*.
- The BLUE indicator lights continuously when connection is successful. If there is no connection, BLUE indicator will blink. In this case the system should be switched over to the search mode once again (turn off and turn on Bluetooth mode)**.

* You might have to enter «0000» code to connect some models via Bluetooth.

** If an item has been already registered in the device list of sources, then the second search mode activation is not needed. Choose only the item name and the «connect» command on the source.

Tuner Mode

- Use MODE button ③ on the front panel of the subwoofer or FM button ⑩ on the remote control to enter the Tuner mode. The display ① will backlight the current adjustment frequency.
- Press and hold button ⑤ on the front panel of the subwoofer or button ⑥ on the remote control short to auto scan and memorize the found stations. The second pressing of this button before the scanning is over will stop the auto scanning process. The display ① shows the frequency being scanned, when a radio station is being memorized, the display shows its assigned sequence number for a short moment.
- For manual scanning, use buttons TUNING +/- ⑧ on the remote control (up/down the frequency range).

- If preset radio stations are available in the memory, you can switch from one to another by short pressing buttons ④ and ⑥ on the front panel of the subwoofer or buttons ⑦ and ⑧ on the remote control. You can also enter the frequency or the number of the preset station using numeric pad buttons ② on the remote control. The display ① will show the station number for a short moment and then its frequency.

«Line input» Mode (PC)

- Press MODE button ③ on the front panel of the subwoofer or PC/BT button ④ on the remote control to switch to the PC mode. The display ① will show PC inscription.

ST-BY MODE

- To enter/exit this mode, press and hold down MODE button ③ on the front panel of the subwoofer or button ① on the remote control.

MUTE MODE

- To enter the MUTE mode, press button ③ on the remote control. To exit the MUTE mode, press this button ③ once again.

Note. *Due to the constant development of the software, the actual MSS operation may differ from described in this Manual. The most recent version of the Manual is available at www.sven.fi.*

7. TROUBLESHOOTING

Problem	Cause	Solution
The MSS does not turn on.	The MSS isn't connected to a mains outlet.	Check the connection.
	The power switch is off.	Turn on the switch.
No sound or the sound is too quiet.	Volume level is set at minimum value.	Adjust the volume control knob.
	Improperly connected audio source.	Connect the audio sources correctly.
Distortion of sound.	Large amplitude of the input signal.	Turn down the source volume and the MSS volume
The remote control is not working.	The batteries are discharged.	Replace the batteries with new ones.

If none of the above methods can solve the problem, please seek professional advice at your nearest service center. Never attempt to repair the product yourself.

8. TECHNICAL SPECIFICATIONS

Parameter, measurement unit	Value
Output power (RMS), W: subwoofer satellites	40 (20 + 2 × 10) 20 2 × 10
Frequency response, Hz: subwoofer satellites	40-150 150-20 000
Speaker diameter, mm: subwoofer satellites	Ø 128 Ø 77
Power supply, V/Hz	~230/50 ☐
Rated current consumption, A	0.08
Dimensions, mm: subwoofer satellites (one speaker)	159 × 272 × 245 104 × 171 × 108
Weight, kg	3.3 (MS-304), 3.1 (MS-307)

Notes. Technical specifications given in this table are supplemental information and cannot give occasion to claims. Technical specifications and package contents are subject to change without notice due to the improvement of SVEN production.

Руководство по эксплуатации

Благодарим Вас за покупку акустической системы ТМ SVEN!

АВТОРСКОЕ ПРАВО

© SVEN PTE. LTD. Версия 2.0 (14.09.2021).

Данное Руководство и содержащаяся в нем информация защищены авторским правом. Все права защищены.

ТОРГОВЫЕ МАРКИ

Все торговые марки являются собственностью их законных владельцев.

ПРЕДУПРЕЖДЕНИЕ ОБ ОГРАНИЧЕНИИ ОТВЕТСТВЕННОСТИ

Несмотря на приложенные усилия сделать Руководство более точным, возможны некоторые несоответствия. Информация данного Руководства предоставлена на условиях «как есть». Автор и издатель не несут никакой ответственности перед лицом или организацией за ущерб или повреждения, произошедшие от информации, содержащейся в данном Руководстве.

СОДЕРЖАНИЕ

ENG	2
RUS.....	11
1. РЕКОМЕНДАЦИИ ПОКУПАТЕЛЮ	11
2. КОМПЛЕКАЦИЯ	12
3. МЕРЫ БЕЗОПАСНОСТИ.....	12
4. ТЕХНИЧЕСКОЕ ОПИСАНИЕ	12
5. ПОДГОТОВКА И ПОРЯДОК РАБОТЫ.....	15
6. РЕЖИМЫ РАБОТЫ.....	16
7. УСТРАНЕНИЕ НЕИСПРАВНОСТЕЙ	19
8. ТЕХНИЧЕСКИЕ ХАРАКТЕРИСТИКИ.....	19
UKR	20

1. РЕКОМЕНДАЦИИ ПОКУПАТЕЛЮ

- Аккуратно распакуйте изделие, проследите за тем, чтобы внутри коробки не остались какие-либо принадлежности. Проверьте устройство на предмет повреждений. Если изделие повреждено при транспортировке, обратитесь в фирму, осуществляющую доставку; если изделие не функционирует, сразу же обратитесь к продавцу.
- Проверьте комплектность и наличие гарантийного талона. Убедитесь в том, что в гарантийном талоне проставлен штамп магазина, разборчивая подпись или штамп продавца и дата продажи, номер товара совпадает с указанным в талоне. Помните, что при утрате гарантийного талона или несовпадении номеров вы лишаетесь права на гарантийный ремонт.
- Не включайте изделие сразу же после внесения его в помещение из окружающей среды с минусовыми температурами! Распакованное изделие необходимо выдержать в условиях комнатной температуры не менее 4-х часов.
- Прежде чем устанавливать и использовать изделие, внимательно ознакомьтесь с настоящим Руководством и сохраните его на весь период использования.
- Перевозка и транспортировка оборудования допускается только в заводской упаковке.
- Не требует специальных условий для реализации.
- Утилизировать в соответствии с правилами утилизации бытовой и компьютерной техники.
- Дата изготовления продукта указана на коробке.

**Техническая поддержка размещена на сайте www.sven.fi.
Здесь же Вы сможете найти обновленную версию данного Руководства.**

2. КОМПЛЕКТАЦИЯ

- Сабвуфер — 1 шт.
- Сателлиты — 2 шт.
- Пульт дистанционного управления (ПДУ) — 1 шт.
- Элементы питания типа AAA — 2 шт.
- Сигнальный кабель — 1 шт.
- Антенный провод — 1 шт.
- Руководство по эксплуатации — 1 шт.
- Гарантийный талон — 1 шт.

3. МЕРЫ БЕЗОПАСНОСТИ



Внимание! Внутри корпуса на элементах без изоляции имеется высокое напряжение, которое может вызвать поражение электрическим током.

- Во избежание поражения электрическим током, не вскрывайте акустическую систему (АС) и не ремонтируйте самостоятельно. Обслуживание и ремонт должны осуществлять только квалифицированные специалисты уполномоченного сервисного центра. Перечень уполномоченных сервисных центров смотрите на сайте www.sven.fi.
- Не допускайте замыканий проводов (в том числе и «заземленных») колонок АС между собой, на корпус усилителя и на землю, т. к. это выводит из строя выходные каскады усилителя.
- Запрещается прикасаться к штырям сетевой вилки аппаратуры в течение 2 сек. с момента изъятия вилки из сетевой розетки.
- Оберегайте АС от попадания в отверстия посторонних предметов.
- Оберегайте АС от повышенной влажности, попадания воды и пыли.
- Оберегайте АС от нагрева: устанавливайте ее не ближе чем 1 м от нагревательных приборов. Не подвергайте воздействию прямых солнечных лучей.
- Не размещайте на АС никаких источников открытого пламени, а также вблизи системы.
- Не устанавливайте АС в местах с недостаточной вентиляцией. Минимальный воздушный зазор — 10 см. При эксплуатации АС не устанавливайте на нее какие-либо устройства, не покрывайте салфетками или подобными предметами, затрудняющими охлаждение.
- Не применяйте химические реагенты для чистки АС, используйте мягкую сухую ткань.

4. ТЕХНИЧЕСКОЕ ОПИСАНИЕ

Акустическая система 2.1 (АС) MS-304/MS-307 предназначена для воспроизведения музыки и озвучивания игр, фильмов и проч. АС оснащена встроенным усилителем мощности и акустическими кабелями, благодаря чему она может быть подключена практически к любым источникам аудиосигнала (CD/DVD-проигрывателям, телевизору, ПК и т. п.) без использования дополнительного усилителя мощности. АС имеет встроенные FM-радио, Bluetooth модуль и проигрыватель аудиофайлов. В комплекте пульт ДУ.

Особенности

- Акустическая система совместима с PC, DVD/Media-проигрывателями, мобильными устройствами и другими источниками звука.
- Беспроводная передача сигнала по Bluetooth.
- Встроенный проигрыватель аудиофайлов с носителей памяти.
- Встроенное FM-радио.
- Буквенно-цифровой LED-дисплей.
- Разъемы для подключения USB flash, SD card.
- Пульт дистанционного управления.

Руководство по эксплуатации

- Режимы «Mute», «ST-BY».
- Материал корпуса сабвуфера и сателлитов — дерево (MDF).

Панели управления сабвуфера

- ① LED-дисплей.
- ② Регулятор уровня громкости.
- ③ MODE: кнопка переключения режимов PC/Bluetooth/FM/USB/SD/MMC.
- ④ ►►: переход на следующий трек (кратковременное нажатие в режиме «проигрыватель» и Bluetooth); следующая станция** (кратковременное нажатие в режиме «радио»).
- ⑤ ►: Воспроизведение/Пауза (кратковременное нажатие в режиме «проигрыватель»); автоматический поиск старт/стоп (кратковременное нажатие в режиме «радио»).
- ⑥ ◀◀: переход на предыдущий трек (кратковременное нажатие в режиме «проигрыватель» и Bluetooth); предыдущая станция** (кратковременное нажатие в режиме «радио»).
- ⑦ USB: разъем для установки USB flash носителя* с музыкальными файлами, записанными в формате MP3, WAV.
- ⑧ SD/MMC: разъем для установки SD/MMC карт* с музыкальными файлами в формате MP3, WAV.
- ⑨ BASS: регулятор уровня тембра НЧ.
- ⑩ FM ANT: разъем для подключения антенны приемника.
- ⑪ PC: разъем для подключения ПК, мобильных устройств и других источников звукового сигнала.
- ⑫ AUDIO OUTPUT: разъем для подключения сателлитов.
- ⑬ ON/OFF: выключатель питания.
- ⑭ Шнур питания.

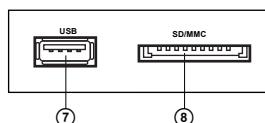
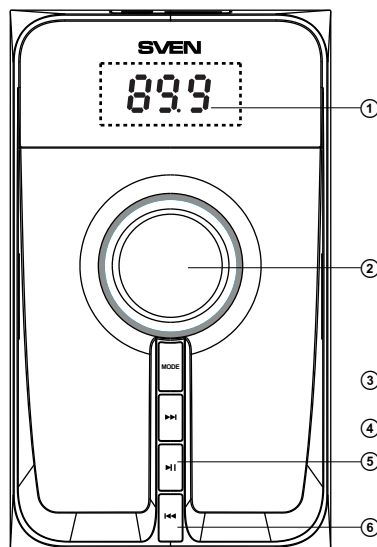
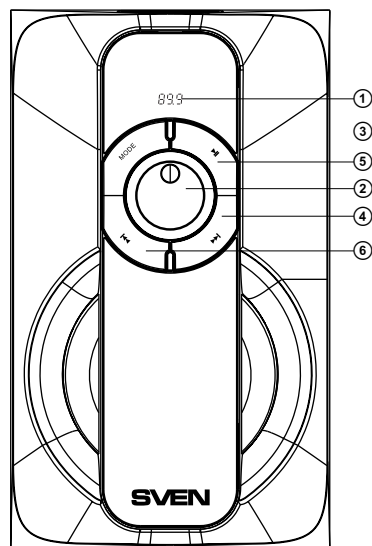


Рис. 1. Панель управления сабвуфера



MS-307



MS-304

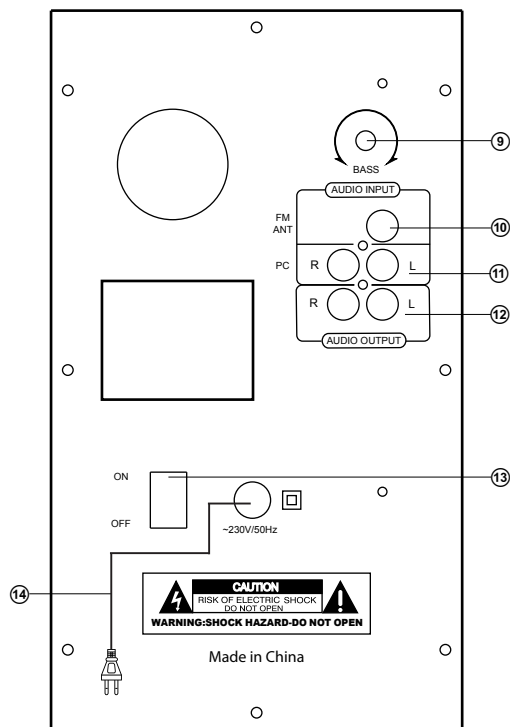


Рис. 2. Задняя панель сабвуфера

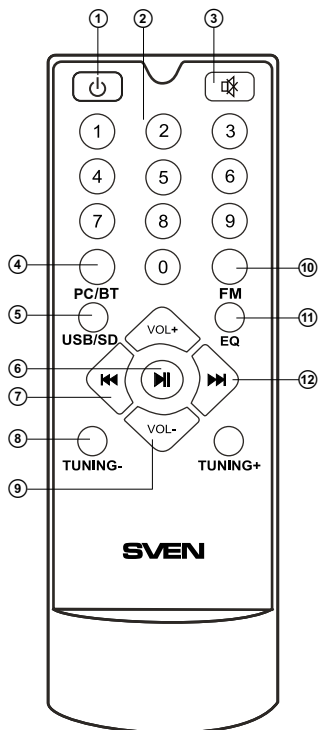


Рис. 3. Пульт ДУ

Пульт дистанционного управления

- ① : включение/выключение АС.
- ② 0-9: цифровое поле.
- ③ : включение/выключение звука.
- ④ PC/BT: выбор режимов PC (линейный вход) или Bluetooth.
- ⑤ USB/SD: выбор режима проигрывания файлов с карт памяти.
- ⑥ : Воспроизведение/Пауза (кратковременное нажатие в режиме «проигрыватель»); автоматический поиск старт/стоп (кратковременное нажатие в режиме «радио»).
- ⑦ : переход на предыдущий трек (кратковременное нажатие в режиме «проигрыватель» и Bluetooth); предыдущая станция** (кратковременное нажатие в режиме «радио»).
- ⑧ TUNING-/+ : кнопки для ручной настройки на необходимую частоту радиостанции. Короткое нажатие — увеличение/уменьшение частоты с шагом 100 кГц. При длительном нажатии активируется режим поиска первой (вверх/вниз по частоте) радиостанции.
- ⑨ VOL+/-: регулировка уровня громкости.
- ⑩ FM: кнопка включения режима «радио».

Руководство по эксплуатации

- Ⓜ EQ: кнопка включения режима эквалайзера (в режиме «проигрыватель»).
- Ⓜ ►: переход на следующий трек (кратковременное нажатие в режиме «проигрыватель» и Bluetooth); следующая станция** (кратковременное нажатие в режиме «радио»).

Установка батареек в пульт ДУ

- Откройте отсек для батареек на задней стороне пульта ДУ.
- Вставьте батарейки типа AAA (из комплекта).
- Закройте отсек для батареек.

Примечания. Используйте ПДУ под углом не более 30° на расстоянии не более 7 метров. Если ПДУ не работает, проверьте наличие батареек или замените разряженные на новые. Вынимайте батарейки из пульта, если не собираетесь пользоваться им в течение длительного времени (больше недели).

* Носитель должен быть отформатирован в FAT, FAT32. Можно использовать карты памяти SDHC class 10 и ниже. Не рекомендуется подключение внешних жестких дисков и прочих устройств, отличных от USB flash, это может привести к повреждению AC.

** Переключение этих частот происходит при наличии записанных в памяти станций.

5. ПОДГОТОВКА И ПОРЯДОК РАБОТЫ**Расположение AC**

- Располагайте колонки относительно слушателя симметрично на расстоянии не менее одного метра. Сабвуфер излучает ненаправленный звук, поэтому его можно расположить в любом месте комнаты, где он звучит наилучшим образом.
- Возможно небольшое искажение изображения у сверхчувствительных мониторов и телевизоров, поэтому устанавливайте AC подальше от этих устройств.

Подключение AC

Модель MS-304/MS-307 можно подключить практически к любым источникам аудиосигнала: DVD/ CD-плеерам, ПК, ноутбуку и т. п. (см. схему на рис. 4).

- Перед подключением убедитесь, что AC отключена от сети. Затем, подключите колонки к разъемам AUDIO OUTPUT L/R Ⓜ сабвуфера. Правую колонку при помощи акустического кабеля соедините с выходом AUDIO OUTPUT R сабвуфера, а левую колонку — с выходом AUDIO OUTPUT L (см. схему на рис. 4).

Примечание. Проверьте надежность фиксации разъемов.

- Для подключения AC к ПК, MP3/CD-плеерам используйте сигнальный кабель 2RCA к mini-jack (из комплекта). Для этого подключите сначала RCA-джеки сигнального кабеля к разъемам L и R аудиовхода AUDIO INPUT Ⓜ, а затем подключите mini-jack (Ø 3,5 мм) сигнального кабеля к порту LINE OUT звуковой карты ПК или к аудиовыходу (OUTPUT) MP3/CD-плеера, как показано на рис. 4.
- Для подключения AC к TV, DVD/CD-проигрывателям используйте сигнальный кабель 2RCA к 2RCA (не входит в комплект). Для этого подключите сначала RCA-джеки сигнального кабеля к разъемам L и R аудиовхода AUDIO INPUT Ⓜ, а затем подключите RCA-джеки к разъемам аудиовыхода TV, DVD/CD-проигрывателей, как показано на рис. 4.
- Подключите сабвуфер к сети с помощью шнура питания Ⓜ.
- Включите питание AC выключателем Ⓜ (положение ON) на задней стенке сабвуфера.
- Кнопкой MODE Ⓜ на передней панели или кнопкой Ⓜ на ПДУ включите систему.
- Выберите желаемый источник сигнала кратковременным нажатием кнопки MODE Ⓜ на панели управления или нажатием соответствующей кнопки на ПДУ.

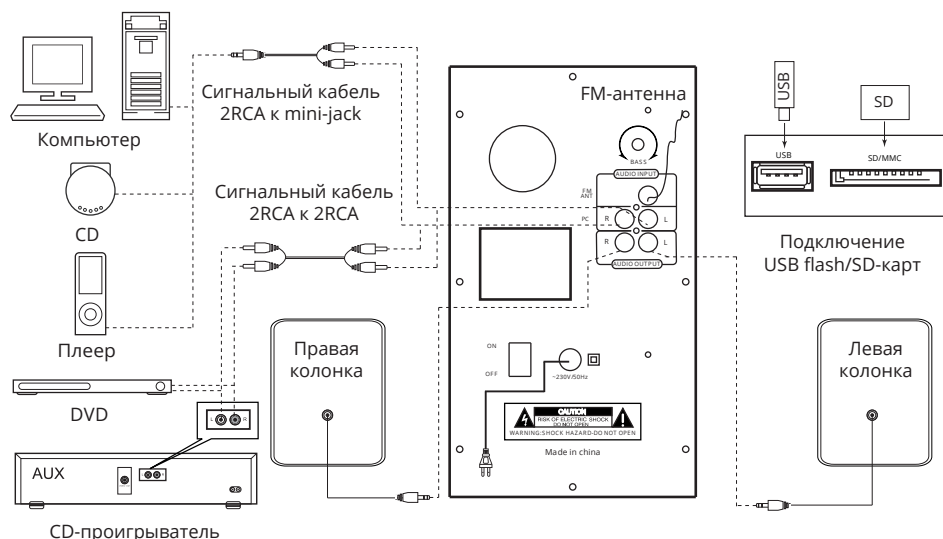


Рис. 4. Схема подключения

- Выберите желаемый уровень громкости системы с помощью регулятора ② на панели управления или воспользуйтесь кнопками VOL+/- ⑨ на ПДУ.
- Выберите желаемый тембр НЧ системы с помощью регулятора BASS+/- ⑨ на задней панели сабвуфера.
- При прослушивании радио направьте антенну в нужном направлении для качественного приема, предварительно подключив ее к разъему FM ANT ⑩ (см. рис. 4).
- После окончания использования АС не забудьте выключить устройство выключателем ⑬ (положение OFF), а также вынуть шнур питания ⑭ из розетки.

6. РЕЖИМЫ РАБОТЫ

Режим «проигрывателя»

- Система автоматически перейдет в режим «проигрывателя», если установить один из носителей (USB flash или SD/MMC card)* в соответствующие разъемы ⑦ или ⑧, или воспользоваться кнопкой MODE ③ на передней панели сабвуфера, либо нажать кнопку USB/SD ⑤ на ПДУ. На LED-дисплее ① отобразится выбранный режим, затем количество найденных треков и порядковый номер воспроизводимого трека, далее время воспроизведения от начала. Воспроизведение начнется автоматически.

* При использовании SD card емкостью менее 512 Mb возможна некорректная работа. При использовании USB flash носителя емкостью более 8 Gb возможно увеличение времени на обработку команд.

Руководство по эксплуатации

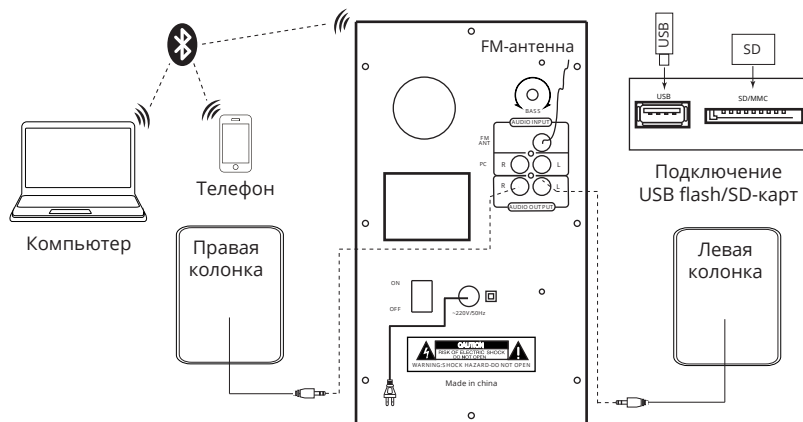


Рис. 5. Схема с подключением Bluetooth-модуля

- Для выбора трека можно непосредственно ввести его порядковый номер с ПДУ, используя цифровые кнопки ②. На дисплее ① кратковременно отобразится порядковый номер трека, затем время воспроизведения от начала.
- Режим EQ (в режиме «проигрывателя»). Доступно 7 предустановленных настроек: bas; por; gos; jaz; cla; sou; nor.

Режим Bluetooth

- Для передачи сигнала в этом режиме необходимо предварительно установить связь изделия с источником сигнала (см. рис. 5). Для этого выберите режим Bluetooth с помощью кнопки MODE ③ на передней панели сабвуфера или PC/BT ④ на ПДУ. Через 2-3 секунды АС перейдет в режим поиска, на дисплее ① будет отображаться режим «BLUE».
- На источнике сигнала (телефон, ноутбук, смартфон и пр.) необходимо выбрать режим поиска устройств Bluetooth. На экране отобразится наименование «MS-304/MS-307», с которым необходимо установить соединение*.
- При удачном подключении индикатор «BLUE» имеет постоянное свечение. Если подключение не состоялось, индикатор «BLUE» имеет прерывистое свечение. Необходимо повторно перевести систему в режим поиска (выключить и снова включить режим Bluetooth)**

* Для соединения по Bluetooth с некоторыми моделями устройств, возможно, потребуется ввести код «0000».

** Если изделие уже прописано в списке устройств источника, то повторная активация режима поиска не обязательна. Выберите лишь имя изделия и команду «подключиться» на источнике.

Режим «радио»

- Для перехода в режим «радио» необходимо при включённой АС воспользоваться кнопкой MODE ③ на передней панели сабвуфера или кнопкой FM ⑩ на ПДУ. На дисплее ① отобразится текущая частота настройки.

- Для автоматического сканирования и запоминания найденных станций нажмите и удерживайте кнопку ⑤ на передней панели сабвуфера или кнопку ⑥ на ПДУ. Повторное нажатие на эти кнопки до окончания сканирования остановит процесс сканирования. При сканировании на дисплее ① отображается частота, при запоминании станции одновременно отображается присвоенный порядковый номер.
- Для ручного сканирования диапазона используйте кнопки TUNING -/+ ⑧ (вниз/вверх по частоте) на ПДУ.
- При наличии в памяти запомненных станций переключение осуществляется кратковременным нажатием кнопок ④, ⑥ на передней панели сабвуфера или ⑦, ⑫ на ПДУ. Также с цифрового поля ПДУ ② возможен непосредственный ввод номера запомненной станции. На дисплее ① кратковременно отображается номер станции, а затем частота.

Режим «линейный вход» (РС)

- Для перехода в режим РС необходимо при включенном изделии воспользоваться кнопкой MODE ③ на передней панели сабвуфера или кнопкой РС/BT ④ на ПДУ. На дисплее ① отобразится «РС».

Режим ST-BY

- Для включения/выключения этого режима нажмите и удерживайте кнопку MODE ③ на передней панели сабвуфера или кнопку ① на ПДУ.

Режим MUTE

- Для перехода в режим MUTE нажмите кнопку ③ на ПДУ. Чтобы выйти из режима MUTE, повторно нажмите кнопку ③ на ПДУ.

Примечание. По причине постоянного совершенствования программного обеспечения, описание управления АС может отличаться от приведенного в данном Руководстве. Последнюю версию Руководства см. на сайте www.sven.fi.

Руководство по эксплуатации

7. УСТРАНЕНИЕ НЕИСПРАВНОСТЕЙ

Неисправность	Причина	Способ устранения
АС не включается.	Не подключена к сети.	Проверьте подключение к сети.
	Не включен сетевой выключатель.	Включите выключатель.
Нет звука или в колонках АС слишком тихий звук.	Регулятор громкости установлен в положение наименьшей громкости.	Подстройте регулятор громкости.
	Неправильно подключен источник аудиосигнала.	Подключите правильно источник сигнала.
Искажение звука.	Большая амплитуда входного сигнала.	Регуляторами громкости на источниках сигнала и АС уменьшите величину входного сигнала.
Не функционирует пульт ДУ.	Разряжены батарейки.	Замените батарейки на новые.

Если ни один из указанных выше способов не решает проблему, обратитесь за профессиональной консультацией в ближайший сервис-центр. Не ремонтируйте изделие самостоятельно.

8. ТЕХНИЧЕСКИЕ ХАРАКТЕРИСТИКИ

Характеристики и единицы измерения	Значение
Выходная мощность (RMS), Вт: сабвуфер сателлиты	40 (20 + 2 × 10) 20 2 × 10
Диапазон частот, Гц: сабвуфер сателлиты	40–150 150–20 000
Диаметр динамиков, мм: сабвуфер сателлиты	∅ 128 ∅ 77
Напряжение питания, В/Гц	~230/50 □
Номинальный ток потребления, А	0,08
Размеры, мм: сабвуфер сателлиты (одна колонка)	159 × 272 × 245 104 × 171 × 108
Вес, кг	3,3 (MS-304); 3,1 (MS-307)

Примечания. Технические характеристики, приведенные в таблице, справочные и не могут служить основанием для претензий. Продукция ТМ SVEN постоянно совершенствуется. По этой причине технические характеристики и комплектность могут быть изменены без предварительного уведомления.

Дякуємо Вам за купівлю акустичної системи TM SVEN!

АВТОРСЬКЕ ПРАВО

© SVEN PTE. LTD. Версія 2.0 (14.09.2021).

Це Керівництво та інформація, що міститься в ньому, захищено авторським правом. Усі права застережені.

ТОРГОВЕЛЬНІ МАРКИ

Усі торговельні марки є власністю їх законних власників.

ПОПЕРЕДЖЕННЯ ПРО ОБМЕЖЕННЯ ВІДПОВІДАЛЬНОСТІ

Незважаючи на докладені зусилля зробити Керівництво точнішим, можливі деякі невідповідності. Інформація цього Керівництва надана на умовах «як є». Автор і видавець не несуть жодної відповідальності перед особою або організацією за збитки або ушкодження, завдані інформацією, що міститься у цьому Керівництві.

ЗМІСТ

ENG	2
RUS	11
UKR	20
1. РЕКОМЕНДАЦІЇ ПОКУПЦЕВІ	20
2. КОМПЛЕКТНІСТЬ	21
3. ЗАХОДИ БЕЗПЕКИ	21
4. ТЕХНІЧНИЙ ОПИС	21
5. ПІДГОТОВКА ТА ПОРЯДОК РОБОТИ	24
6. РЕЖИМИ РОБОТИ	25
7. УСУНЕННЯ НЕСПРАВНОСТЕЙ	28
8. ТЕХНІЧНІ ХАРАКТЕРИСТИКИ	28

1. РЕКОМЕНДАЦІЇ ПОКУПЦЕВІ

- Акуратно розпакуйте виріб, простежте за тим, щоб усередині коробки не залишилося якенебудь приладдя. Перевірте пристрій на предмет пошкоджень. Якщо виріб пошкоджено притранспортуванні, зверніться у фірму, що здійснює доставку; якщо виріб не функціонує, відразу ж зверніться до продавця.
- Просимо Вас перевірити комплектність і наявність гарантійного талона. Переконайтеся в тому, що в гарантійному талоні проставлено штамп магазину, розбірливий підпис або штамп продавця і дата продажу, номер товару співпадає зі вказаним у талоні. Пам'ятайте, що при втраті гарантійного талона або неспівпаданні номерів ви втрачаєте право на гарантійний ремонт.
- Не вмикайте виріб одразу після того, як внесли його в приміщення, якщо надворі мінусова температура! Розпакований виріб необхідно витримати в умовах кімнатної температури не менше 4-х годин.
- Перед експлуатацією пристрою уважно ознайомтеся з цим Керівництвом і збережіть його на увесь період користування.
- Перевезення і транспортування обладнання допускається лише у заводській упаковці.
- Не вимагає спеціальних умов для реалізації.
- Утилізацію проводити відповідно до правил утилізації побутової та комп'ютерної техніки.
- Дата виробництва товару вказано на коробці.

**Технічна підтримка розміщена на сайті www.sven.fi.
Також тут Ви зможете знайти оновлену версію цього Керівництва.**

Керівництво з експлуатації MS

2. КОМПЛЕКТНІСТЬ

- Сабвуфер — 1 шт.
- Сателіти — 2 шт.
- Пульти дистанційного управління (ПДУ) — 1 шт.
- Елементи живлення типу ААА — 2 шт.
- Сигнальний кабель — 1 шт.
- Антенний провід — 1 шт.
- Керівництво з експлуатації — 1 шт.
- Гарантійний талон — 1 шт.

3. ЗАХОДИ БЕЗПЕКИ

Увага! Усередині корпусу на елементах без ізоляції є висока напруга, що може викликати ураження електричним струмом.

- Щоб уникнути ураження електричним струмом, не розбирайте АС і не ремонтуйте самостійно. Обслуговування і ремонт повинні здійснювати лише кваліфіковані фахівці сервісного центру. Перелік авторизованих сервісних центрів дивіться на сайті www.sven.fi.
- Не допускайте замикання дротів (у тому числі й «заземлених») колонок АС між собою, на корпус підсилювача і на землю, бо це призводить до пошкодження вихідних каскадів підсилювача.
- Забороняється торкатися до штирів мережної вилки апаратури протягом 2 сек. з моменту вилучення вилки з розетки.
- Оберегайте АС від потрапляння в отвори сторонніх предметів.
- Оберегайте АС від підвищеної вологості, потрапляння води і пилу.
- Оберегайте АС від нагрівання: встановлюйте її не ближче ніж 1 м від нагрівальних приладів. Не надавайте впливу прямих сонячних променів.
- Не розміщуйте на АС, а також поблизу системи жодних джерел відкритого полум'я.
- Не встановлюйте АС в місцях з недостатньою вентиляцією. Мінімальний доступ повітря — 10 см. Під час експлуатації АС не ставте на неї будь-які пристрої, не вкривайте серветками або подібними предметами, що заважають охолодженню.
- Не застосовуйте хімічні реагенти для чищення АС, використовуйте м'яку суху тканину.

4. ТЕХНІЧНИЙ ОПИС

Акустична система 2.1 (АС) MS-304/MS-307 призначена для відтворення музики та озвучування ігор, фільмів тощо. АС оснащена вмонтованим підсилювачем потужності та акустичними кабелями, завдяки чому вона може бути підключена практично до будь-яких джерел аудіосигналу (CD/DVD-програвачів, телевізора, ПК тощо) без використання додаткового підсилювача потужності. АС має вмонтовані FM-радіо, Bluetooth-модуль і програвач аудіофайлів. ПДУ в комплекті.

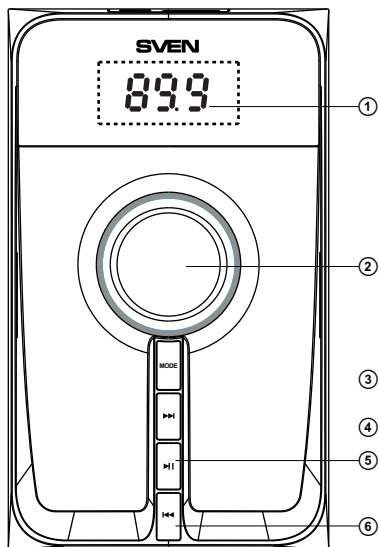
Особливості АС

- Акустична система сумісна з PC, DVD/Media-програвачами, мобільними пристроями та іншими джерелами звуку.
- Безпровідна передача сигналу по Bluetooth.
- Вмонтований програвач аудіофайлів з носіїв пам'яті.
- Вмонтоване FM-радіо.
- Вмонтовані FM-радіо і годинник.
- Буквено-цифровий LED-дисплей.
- Роз'єми для підключення USB flash, SD card.

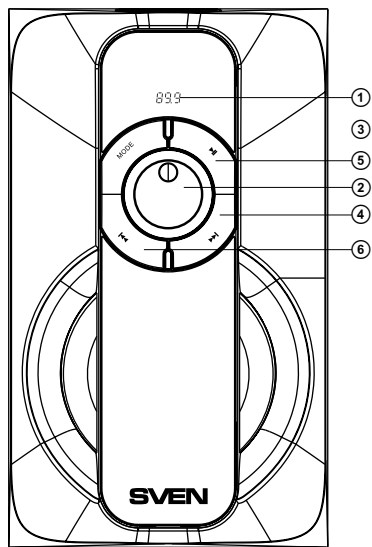
- Режими «Mute», «ST-BY».
- Матеріал корпусу сабвуфера і сателітів — дерево (MDF).

Панелі управління сабвуфера

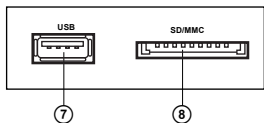
- ① LED-дисплей.
- ② Регулятор рівня гучності.
- ③ MODE: кнопка перемикачя режимів PC/Bluetooth/FM/USB/SD/MMC.
- ④ ►►: перехід на наступний трек (короткочасне натиснення у режимі «програвач» і Bluetooth); наступна станція** (короткочасне натиснення у режимі «радіо»).
- ⑤ ►: Відтворення/Пауза (короткочасне натиснення у режимі «програвач»); автоматичний пошук старт/стоп (короткочасне натиснення у режимі «радіо»).
- ⑥ ◀◀: перехід на попередній трек (короткочасне натиснення у режимі «програвач» і Bluetooth); попередня станція** (короткочасне натиснення у режимі «радіо»).
- ⑦ USB: роз'єм для встановлення USB flash носія* з музичними файлами, записаними у форматах MP3, WAV.
- ⑧ SD/MMC: роз'єм для встановлення SD/MMC-карток* з музичними файлами, записаними у форматах MP3, WAV.
- ⑨ BASS: регулятор рівня тембра НЧ.
- ⑩ FM ANT: роз'єм для підключення антени приймача.
- ⑪ PC: роз'єм для під'єднання до ПК, мобільних пристроїв та інших джерел звукового сигналу.
- ⑫ AUDIO OUTPUT: роз'єм для під'єднання сателітів.
- ⑬ ON/OFF: вимикач живлення.
- ⑭ Шнур живлення.



MS-307

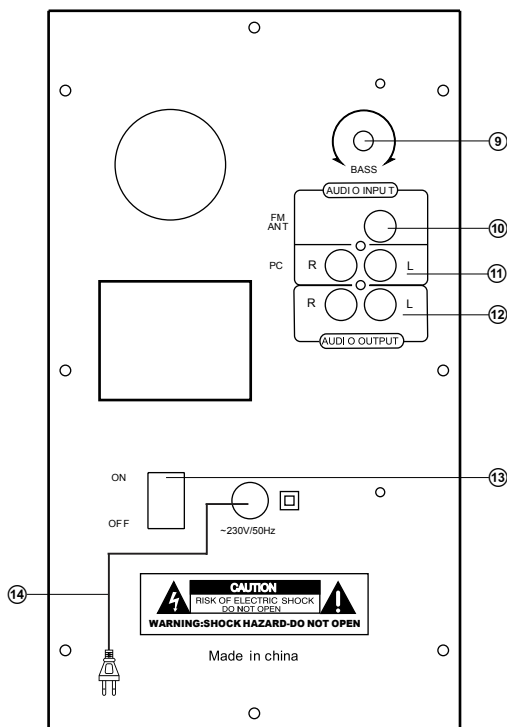


MS-304

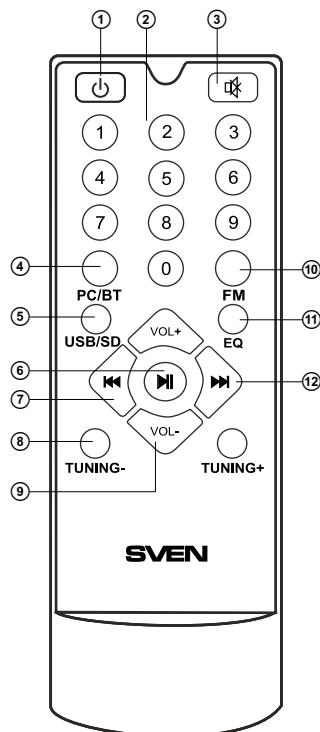


Мал. 1. Панель управління сабвуфера

Керівництво з експлуатації MS



Мал. 2. Задня панель сабвуфера



Мал. 3. Пульт ДУ

Пульт дистанційного управління

- ① ⏻: вмикання/вимикання АС.
- ② 0-9: цифрове поле.
- ③ 🗣️: вмикання/вимикання звуку.
- ④ PC/BT: вибір режимів PC (лінійний вхід) або Bluetooth.
- ⑤ USB/SD: вибір режиму програвання файлів з карт пам'яті.
- ⑥ ⏪: Відтворення/Пауза (короткочасне натиснення у режимі «програвач»); автоматичний пошук старт/стоп (короткочасне натиснення у режимі «радіо»).
- ⑦ ⏮: перехід на попередній трек (короткочасне натиснення у режимі «програвач» і Bluetooth); перехід на попередню станцію** (короткочасне натиснення у режимі «радіо»).
- ⑧ TUNING-/+ : кнопки для ручного налаштування на необхідну частоту радіостанції. Коротке натиснення — збільшення/зменшення частоти з кроком 100 кГц. При тривалому натисненні активується режим пошуку першої (вгору/вниз по частоті) радіостанції.
- ⑨ VOL+/-: регулювання рівня гучності.
- ⑩ FM: кнопка вмикання режиму «радіо».

Ⓜ EQ: кнопка вмикання режиму еквайзера (в режимі «програвач»).

Ⓜ ►: перехід на наступний трек (короткочасне натиснення в режимі «програвач» і Bluetooth); перехід на наступну станцію** (короткочасне натиснення у режимі «радіо»).

Встановлення батарейок у пульт ДУ

- Відкрийте відсік для батарейок на задній стороні пульта ДУ.
- Вставте батарейки типу AAA (з комплекту).
- Закрийте відсік для батарейок.

Примітка Використовуйте ПДУ під кутом не більше 30° на відстані не більше 7 метрів. Якщо ПДУ не працює, перевірте наявність батарейок або замініть розряджені на нові. Виймайте батареї з пульта, якщо не збираєтеся користуватися ним протягом тривалого часу (понад тиждень).

* Носії потрібно відформувати в FAT, FAT32. Можна використовувати картки пам'яті SDHC class 10 і нижче. Не рекомендується підключення зовнішніх жорстких дисків та інших пристроїв, відмінних від USB flash, це може призвести до пошкодження АС.

** Перемикання цих частот відбувається, якщо у пам'яті записані станції.

5. ПІДГОТОВКА ТА ПОРЯДОК РОБОТИ

Розташування АС

- Розташуйте колонки відносно слухача симетрично на відстані не менше одного метра. Сабвуфер випромінює неспрямований звук, тому його можна розташувати в будь-якому місці кімнати, де сабвуфер звучатиме якнайкраще.
- Можливе невелике спотворення зображення у надчутливих моніторів і телевізорів, тому встановлюйте АС якомога далі від цих пристроїв.

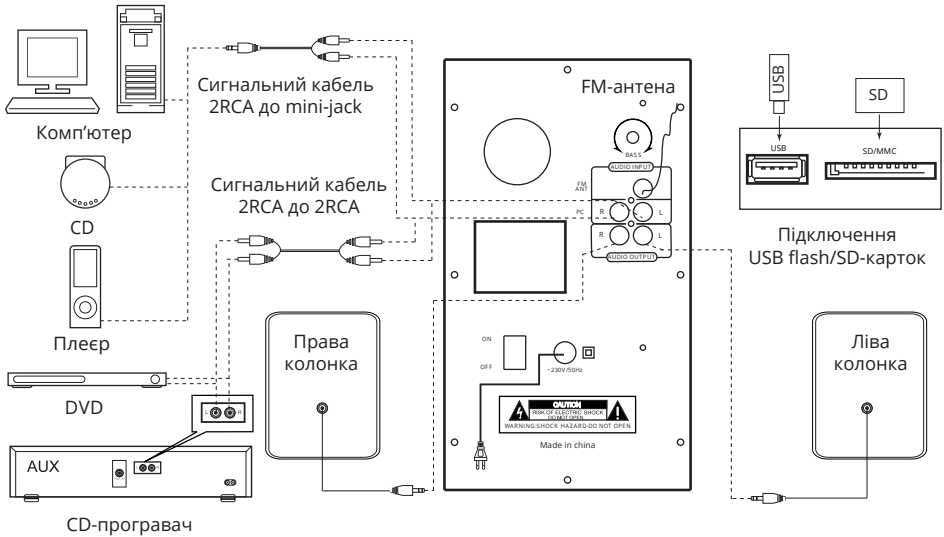
Підключення АС

- Модель MS-304/MS-307 можна підключити практично до будь-яких джерел аудіосигналу: DVD/CDплеєрів, ПК, ноутбуку тощо (див. схему на мал. 4).
- Перед підключенням переконайтеся, що АС відключена від мережі. Потім підключіть колонки до роз'ємів AUDIO OUTPUT L/R Ⓜ сабвуфера. Праву колонку за допомогою акустичного кабелю з'єднайте з виходом AUDIO OUTPUT R сабвуфера, а ліву колонку — з виходом AUDIO OUTPUT L (див. схему на мал. 4).

Примітка. Перевірте надійність фіксації роз'ємів.

- Для підключення АС до ПК, MP3/CD-плеєрів використовуйте сигнальний кабель 2RCA до mini-jack (з комплекту). Для цього підключіть спочатку RCA-джеки сигнального кабелю до роз'ємів L і R аудіовходу AUDIO INPUT Ⓜ, а далі підключіть mini-jack (Ø 3,5 мм) сигнального кабелю до порту LINE OUT звукової карти ПК або аудіовиходу (OUTPUT) MP3/CD-плеєра, як показано на мал. 4.
- Для підключення АС до TV, DVD/CD-програвачів використовуйте сигнальний кабель 2RCA до 2RCA (не входить до комплекту). Для цього підключіть спочатку RCA-джеки сигнального кабелю до роз'ємів L і R аудіовходу AUDIO INPUT Ⓜ, а далі підключіть RCA-джеки до роз'ємів аудіовиходу TV, DVD/CD-програвачів, як показано на мал. 4.
- Підключіть сабвуфер до мережі за допомогою шнура живлення п.
- Увімкніть живлення АС вимикачем Ⓜ (положення ON) на задній стінці сабвуфера.
- Кнопку MODE Ⓜ на передній панелі або кнопкою ① на ПДУ увімкніть систему.
- Оберіть бажане джерело сигналу короткочасним натисненням кнопки MODE Ⓜ на панелі управління або натисненням відповідної кнопки на ПДУ.

Керівництво з експлуатації MS

MS-304
MS-307

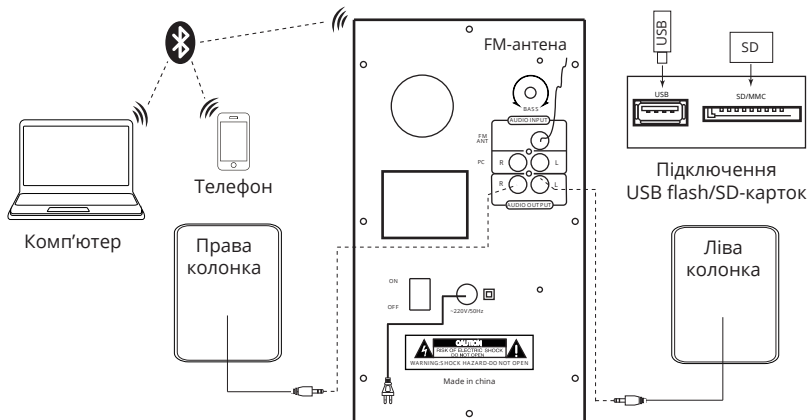
Мал. 4. Схема підключення

- Оберіть бажаний рівень гучності системи за допомогою регулятора ② на панелі управління або скористайтеся кнопками VOL+/- ⑤ на ПДУ.
- Оберіть бажаний рівень тембру НЧ системи за допомогою регулятора BASS+/- ⑥ на задній панелі сабвуфера.
- Під час прослуховування радіо зорієнтуйте антену для якісного прийому, попередньо підключивши її до роз'єму FM ANT ⑩ (див. мал. 4).
- Після закінчення використання АС не забудьте вимкнути пристрій вимикачем ③ (положення OFF), а також вийняти шнур живлення ⑭ з розетки.

6. РЕЖИМИ РОБОТИ**Режим «програвач»**

- Система автоматично перейде у режим «програвач», якщо встановити один з носіїв (USB flash чи SD/MMC card)* у відповідні роз'єми ⑦ або ⑧, чи скористатися кнопкою MODE ③ на передній панелі або натиснути кнопку USB/SD ⑤ на ПДУ. На LED-дисплеї ① відобразиться вибраний режим, потім кількість знайдених треків і порядковий номер відтворюваного трека, далі час відтворення від початку. Відтворення розпочнеться автоматично.
- Для вибору трека можна безпосередньо ввести його порядковий номер з ПДУ, використовуючи цифрові кнопки ②. На дисплеї ① короткочасно відобразиться порядковий номер трека, а згодом час відтворення від початку.

* Під час використання SD card місткістю менше 512 Mb можлива некоректна робота. При використанні USB flash носія місткістю більше 8 Gb можливе збільшення часу на опрацювання команд.



Мал. 5. Схема з підключенням Bluetooth-модуля

- Режим EQ (в режимі «програвач»). Доступно 7 попередньо встановлених налаштувань: bas; pop; roc; jaz; cla; sou; por.

Режим Bluetooth

- Для передачі сигналу в цьому режимі потрібно заздалегідь встановити зв'язок з джерелом сигналу (див. мал. 5). Для цього виберіть режим Bluetooth за допомогою кнопки MODE ③ на передній панелі сабвуфера або PC/BT ④ на ПДУ. Через 2-3 секунди АС перейде у режим пошуку, на дисплеї ① відобразиться режим «BLUE».
- На джерелі сигналу (телефон, ноутбук, смартфон тощо) потрібно вибрати режим пошуку пристроїв Bluetooth. На екрані відобразиться найменування «MS-304/MS-307», з яким потрібно встановити з'єднання*.
- Якщо підключення вдале, індикатор «BLUE» має постійне світіння. Якщо підключення не відбулося, індикатор «BLUE» має переривчасте світіння. У цьому випадку слід ще раз перевести систему в режим пошуку (вимкнути і знову увімкнути режим Bluetooth)**.

* Для з'єднання через Bluetooth з деякими моделями пристроїв, можливо, треба буде ввести код «0000».

** Якщо виріб вже прописано у списку пристроїв джерела звуку, то повторна активація режиму пошуку не обов'язкова. Виберіть лише ім'я виробу і команду «підключитися» на джерелі.

Режим «радіо»

- Для переходу в режим «радіо» необхідно при увімкненій АС скористатися кнопкою MODE ③ на передній панелі сабвуфера чи кнопкою FM ⑩ на ПДУ. На дисплеї а відобразиться поточна частота налаштування.
- Для автоматичного сканування та запам'ятовування знайдених станцій натисніть і утримуйте кнопку ④ на передній панелі сабвуфера чи кнопку ⑥ на ПДУ. Повторне натиснення на цю кнопку до закінчення сканування зупинить процес сканування. Під час сканування на дисплеї ① відображається частота, а під час запам'ятовування станції короткочасно відображається присвоєний їй порядковий номер.

Керівництво з експлуатації MS

- Для ручного сканування діапазону використовуйте кнопки TUNING +/- ⑧ (вниз/вгору за частотою) на ПДУ.
- Якщо в пам'яті пристрою вже є запам'ятовані станції, то перемикання здійснюється короткочасним натисканням на кнопки ⑤, ⑥ на передній панелі сабвуфера або ⑦, ⑩ на ПДУ. Також з цифрового поля ПДУ ② можливе безпосереднє введення частоти або номера запам'ятованої станції. На дисплеї ① короткочасно відображається номер станції, а потім частота.

Режим «лінійний вхід» (РС)

- Для переходу в режим РС необхідно при увімкненому виробі скористатися кнопкою MODE ③ на передній панелі сабвуфера чи кнопкою РС/BT ④ на ПДУ. На дисплеї ① відобразиться «РС».

Режим ST-BY

- Для вмикання цього режиму та виходу з нього натисніть та утримуйте кнопку MODE ③ на передній панелі або кнопку ① на ПДУ.

Режим MUTE

- Для переходу в режим MUTE натисніть кнопку ③ на ПДУ. Щоб вийти з режиму MUTE, повторно натисніть кнопку ③ на ПДУ.

Примітка. Внаслідок постійного удосконалення програмного забезпечення опис експлуатації АС може відрізнятися від наведеного у цьому Керівництві. Останню версію Керівництва дивіться на сайті www.sven.fi.

7. УСУНЕННЯ НЕСПРАВНОСТЕЙ

Несправність	Причина	Спосіб усунення
АС не вмикається	Не підключена до мережі живлення.	Перевірте правильність підключення.
	Не увімкнено мережевий вимикач.	Увімкніть вимикач.
Немає звуку або в колонках АС занадто тихий звук.	Регулятор гучності встановлено в положення найменшої гучності.	Підкрутіть регулятор гучності.
	Неправильно підключено джерело аудіосигналу.	Підключіть правильно джерела сигналу.
Спотворення звуку.	Велика амплітуда вхідного сигналу.	Регуляторами гучності джерела сигналу та АС зменшіть величину вхідного сигналу.
Не функціонує пульт ДУ.	Розряджені батарейки.	Замініть батарейки на нові.

Якщо жоден зі вказаних вище способів не вирішує проблему, зверніться за професійною консультацією до найближчого до Вас сервісного центру. Не ремонтуйте АС самостійно.

8. ТЕХНІЧНІ ХАРАКТЕРИСТИКИ

Характеристики та одиниці виміру	Значення
Вихідна потужність (RMS), Вт: сабвуфер сателіти	40 (20 + 2 × 10) 20 2 × 10
Діапазон частот, Гц: сабвуфер сателіти	40–150 150–20 000
Діаметр динаміків, мм: сабвуфер сателіти	Ø 128 Ø 77
Напруга живлення, В/Гц	~230/50 □
Номинальный ток потребления, А	0,08
Розміри, мм: сабвуфер сателіти (одна колонка)	159 × 272 × 245 104 × 171 × 108
Вага, кг	3,3 (MS-304); 3,1 (MS-307)

Примечания. Технические характеристики, приведенные в таблице, справочные и не могут служить основанием для претензий. Продукция ТМ SVEN постоянно совершенствуется. По этой причине технические характеристики и комплектность могут быть изменены без предварительного уведомления.

Notices/Для заметок/Для нотаток

Notices/Для заметок/Для нотаток

Notices/Для заметок/Для нотаток

2.1 Multimedia Speaker System

SVEN®

Model: MS-304, MS-307

Importer: Tiralana OY, Office 102, Kotolahdentie 15, 48310 Kotka, Finland.

Модель: MS-304, MS-307

Импортер в России: ООО «Регард», 105082, г. Москва, ул. Фридриха Энгельса, д.75, стр. 5. Уполномоченная организация в России: ООО «РТ-Ф», 105082, г. Москва, ул. Фридриха Энгельса, д. 56, стр. 1. Условия гарантийного обслуживания смотрите в гарантийном талоне или на сайте www.sven.fi. Гарантийный срок: 12 мес. Срок службы: 5 лет.

Производитель: «СВЕН ПТЕ. Лимитед», 176 Джу Чиат Роуд, № 02-02, Сингапур, 427447. Произведено под контролем «Свен Скандинавия Лимитед», 48310, Финляндия, Котка, Котолахдентие, 15. Сделано в Китае.

Модель: MS-304, MS-307

Постачальник/імпортер в Україні: ТОВ «СВЕН Центр», 08400, Київська область, м. Переяслав-Хмельницький, вул. Героїв Дніпра, 31, телефон (044) 233-65-89/98. Призначення, споживчі властивості та відомості про безпеку товару дивіться у Керівництві з експлуатації. Умови гарантійного обслуговування дивіться в гарантійному талоні або на сайті www.sven.fi. Гарантійний термін: 12 міс. Строк служби: 5 років. Товар сертифіковано/має гігієнічний висновок. Шкідливих речовин не містить. Зберігати в сухому місці.

Виробник: «СВЕН ПТЕ. Лимітед», 176 Джу Чиат Роуд, № 02-02, Сингапур, 427447. Виготовлено під контролем «Свен Скандинавія Лимітед», 48310, Фінляндія, Котка, Котолахдентіє, 15. Зроблено в Китаї.

Manufacturer: SVEN PTE. LTD, 176 Joo Chiat Road, № 02-02, Singapore, 427447.

Produced under the control of Oy Sven Scandinavia Ltd. 15, Kotolahdentie, Kotka, Finland, 48310. Made in China.

® Registered Trademark
of Oy SVEN
Scandinavia Ltd. Finland.



1B0914

MS-304 MS-307