

SVEN[®]
YOU WANT – WE CAN

2.1 Multimedia Speaker System

OPERATION MANUAL



MS-300

www.sven.fi

Congratulations on your purchase of the Sven speaker system!**COPYRIGHT**

© 2014. SVEN PTE. LTD. Version 1.0 (V 1.0).

This Manual and information contained in it are copyrighted. All rights reserved.

TRADEMARKS

All trademarks are the property of their legal holders.

NOTICE OF RESPONSIBILITY RESTRICTION

Despite the exerted efforts to make this Manual more exact, some discrepancies may occur. The information in this Manual is given on «as is» terms. The author and the publisher do not bear any liability to a person or an organization for loss or damage which has arisen from the information contained in this Manual.

CONTENTS

1. BUYER RECOMMENDATIONS	1
2. PACKAGE CONTENTS	2
3. SAFETY PRECAUTIONS	2
4. TECHNICAL DESCRIPTION	2
5. PREPARATION AND OPERATION	4
6. TROUBLESHOOTING	7
7. TECHNICAL SPECIFICATIONS	7

1. BUYER RECOMMENDATIONS

- Unpack the device carefully. Make sure there are no accessories left in the box. Check up the device for damage; if the product was damaged during transportation, address the firm which carried out the delivery; if the product functions incorrectly, address the dealer at once.
- Check up the package contents and availability of the warranty card. Make sure the warranty card has a shop stamp, a legible signature or the seller's stamp and purchase date, and the goods number corresponds to that in the warranty card.
- Do not switch on the speaker system immediately after you bring it into a room from environment with negative temperature! After unpacking, the speaker system should be kept in conditions of room temperature for at least 4 hours.
- Before installing and using the speaker system, read this Manual carefully and keep it for future reference.

Technical support is on www.sven.fi.

2. PACKAGE CONTENTS

- Subwoofer – 1 pc
- Satellites – 2 pcs
- Remote control – 1 pc
- Battery installed into the remote control – 1 pc
- Operation manual – 1 pc
- Warranty card – 1 pc

3. SAFETY PRECAUTIONS



Caution! High voltage inside! To avoid the risk of electric shock do not open or touch elements inside.

- To avoid electric shock, do not open the MSS and do not perform repairs by yourself. Service and repairs should be performed only by qualified specialists in an authorized service center. The list of authorized service centers is available on www.sven.fi
- Do not allow the circuit of wires (including the grounded ones) between the speakers, on the power amplifier or the ground, for it causes damage to the power amplifier output stage.
- Do not touch the MSS power cord plug pins for 2 seconds after unplugging it from the mains.
- Do not put foreign objects inside the holes of the MSS.
- Protect the MSS from high humidity, water and dust.
- Protect the MSS from heating: do not place it closer than 1 m from a heat source. Do not expose it to direct sunlight.
- Do not place any open flame sources on or close to MSS.
- Do not place the MSS in poorly ventilated areas. Leave an air gap of 10 cm or more. When operating the MSS, do not put any devices on it, do not cover it with cloth or other objects preventing it from cooling.
- Do not use any chemical agents for cleaning. Clean it with dry soft cloth only.

4. TECHNICAL DESCRIPTION

MS-300 2.1 Multimedia Speaker System (MSS) is designed to play music and sound games, movies, etc. The MSS has a built-in power amplifier, a signal and an audio cable allowing to connect it to virtually any audio source (CD/DVD-player, TV, PC, etc.) without using an additional power amplifier. Remote control is included.

Special features

- Speaker system is compatible with PCs, DVD/Media-players, mobile devices and other sound sources
- Built-in power amplifier
- Built-in FM radio
- Built-in player for audio files from external storage devices
- USB flash port and SD card slot
- Digital LED display
- Separate subwoofer volume control
- Equalizer featuring preset sound modes
- Remote control
- Magnetic shielding
- Wooden (MDF) subwoofer cabinet

Description of subwoofer design

- ① Antenna
- ② **▶||**: Play/Pause (Player mode*); start/stop auto scan (pressed long in the Tuner mode); the Mute mode (pressed short in any mode)
- ③ MODE: mode selection button (Player*/ Tuner/ Line)
- ④ Digital LED display
- ⑤ VOL-: volume down (pressed short/ long in the Player/Line/Tuner mode)
- ⑥ VOL+: volume up (pressed short/ long in the Player/Line/Tuner mode)
- ⑦ **▶▶**: next track (pressed short in the Player mode) and forward navigation within a track (pressed long); auto scan up the frequency range** (pressed short in the Tuner mode)
- ⑧ **◀◀**: previous track (pressed short in the Player mode) and backward navigation (pressed long); auto scan down the frequency range** (pressed short in the Tuner mode)
- ⑨ USB: slot for connecting a USB-flash device*** containing MP3 or WMA audio files
- ⑩ SD/MMC-card: slot for SD/MMC cards*** containing MP3 or WMA audio files
- ⑪ BASS: subwoofer volume control knob
- ⑫ ON/OFF: power switch

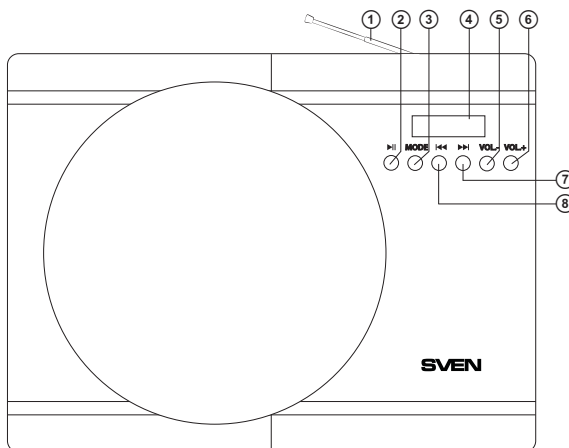


Fig. 1. Subwoofer control panel

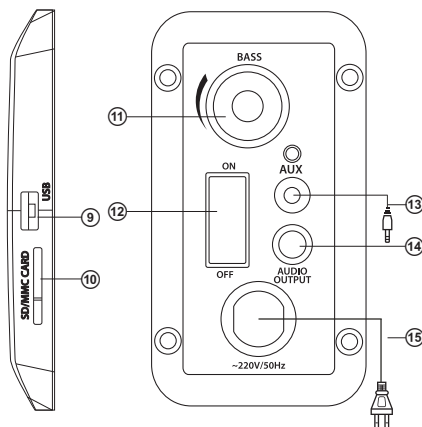


Fig. 3. Subwoofer side panel

Fig. 3. Subwoofer rear panel

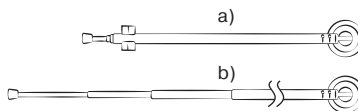


Fig. 4. Antenna

2.1 Multimedia Speaker System

- ⑬ AUX: line input cable
- ⑭ AUDIO OUTPUT: satellite output jack
- ⑮ Power cord

Remote control

- ① EQ: equalizer mode selection button, active in the Player mode* only
- ② ►►: next track (pressed short in the Player mode) and forward navigation within a track (pressed long); auto scan up the frequency range** (pressed short in the Tuner mode)
- ③ ◀◀: previous track (pressed short in the Player mode) and backward navigation (pressed long); auto scan down the frequency range*** (pressed short in the Tuner mode)
- ④ MODE: input selection button: Player*/Tuner/Line (pressed short);
- ⑤ ►||: Play/Pause (pressed long in the Player mode); start/stop auto scan (pressed long in the Tuner mode); Mute mode (pressed short in any mode)
- ⑥ +/-: volume control buttons
- ⑦ 0-9: numeric buttons for entering a track number, frequency, preset station number

Note. Before operating the remote control, extract the battery, remove the film protecting the battery from discharge during transportation, and insert the battery back into the remote control.

* If a device containing files of the supported formats (USB flash drive/SD card) isn't connected, the mode is inactive.

** The band is scanned if there are stations preset in the memory.

*** The storage device must be formatted as FAT, FAT32. Connecting devices other than USB flash drive is not recommended. Connection of HDDs and other devices can cause damage to the MSS.

5. PREPARATION AND OPERATION

Speaker placement

- Place the speakers symmetrically to the listener at least one meter away. The subwoofer emits non-directional sound, therefore it can be located in any place of the room where it sounds the best.
- Place MSS far away from monitors and TV sets, as insignificant image distortion in these super-sensitive devices is possible.

Installation and operation

MS-300 speaker system can be connected to virtually any audio devices: DVD/CD players, PCs, laptops, etc. (see connection diagram in Fig. 6).

- Before making any connections, make sure the MSS is off and unplugged. Then connect the subwoofer AUDIO OUTPUT jack ⑭ to the satellites with the built-in audio cable (see Fig. 6).
- To connect the MSS to a PC or MP3/CD player, insert the line input cable ⑬ built into the subwoofer into the LINE OUT port of your PC sound card or to the audio output jack of your MP3/ CD player, as shown in Fig. 6.

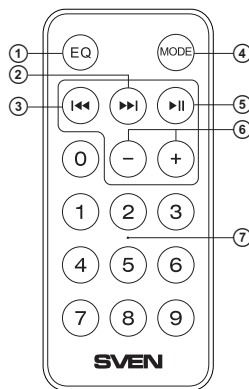


Fig. 5. Remote control

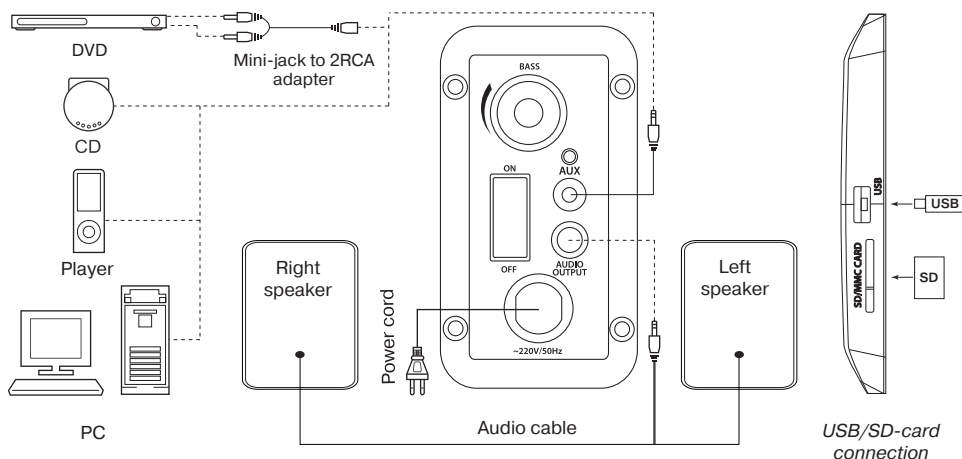


Fig. 6. Connection diagram

- To connect the MSS to a TV or DVD player, connect the line input cable built into the subwoofer to the mini-jack to 2RCA adapter (not included), and then to your TV/DVD player audio outputs, as shown in Fig. 6.
- Set the BASS ⑩ volume control knob to its minimum, then plug the power cord ⑲ into the mains outlet.
- Switch on the subwoofer with the ON/OFF switch (⑫, ON position) on the rear panel. Then, using the MODE button ③ on the subwoofer front panel or the MODE button ④ on the remote control, turn on the MSS and select the connected audio source with the same button.
- Adjust the volume level with buttons ⑤ and ⑥ on the subwoofer front panel or button ⑥ on the remote control.
- Adjust the subwoofer volume level with the corresponding knob ⑩.
- When listening to the radio, extend the antenna ① full-length (see Fig. 4b) and adjust it for better reception.
- After using the MSS, mind to switch it off using the ON/OFF switch (⑫, OFF position) and unplug the power cord ⑲ from the socket.

Operation modes

Player Mode

- To turn to the Player mode, insert a USB flash drive or an SD card containing the files to be played into the corresponding port (⑨ or ⑩), the MSS switched on, or use the MODE button ③ on the control panel or the MODE button ④ on the remote control. The files will automatically start playing. The display ④ on the subwoofer control panel will show the LOAD inscription for a short moment, then the track number and the playback time elapsed. The playing device symbol and the play sign ► will show as well.

- To select the track, you can enter its number on the remote control using the numeric pad buttons ⑦ or select it using buttons ⑦ and ⑧ on the front panel. The display will show the track number for a short moment, and then the playback time elapsed.
- To navigate within a track, press buttons ⑦, ⑧ on the front panel or buttons ②, ③ on the remote control.
- In the Player mode, Equalizer feature is available. To select a preset mode, use the EQ ① button on the remote control.

Note. If there is no device containing files of the supported formats (USB/SD-card) available, the Player mode is inactive.

Tuner Mode

- To switch to the Tuner mode, use button ③ on the front panel or button ④ on the remote control. The subwoofer display ④ will show FM inscription.
- To auto scan and memorize the found stations, press button ② on the front panel or button ⑤ on the remote control long. To stop auto scanning, press this button again before the scanning is over. The display ④ will show the frequency being scanned. When the channel is being memorized, the display shows its number for a short moment.
- For manual scanning, use buttons ⑦, ⑧ on the front panel or buttons ③ (down the frequency range) and ② (up the frequency range) on the remote control.
- If preset stations are available in the memory, you can switch from one to another by short pressing buttons ⑦, ⑧ on the front panel or buttons ③, ② on the remote control. You can also enter the frequency or the number of the preset station with the remote control numeric pad buttons. The display will show the station number for a short moment and then its frequency. The radio will tune to the set frequency within 2-3 seconds.

LINE Mode

- To switch to the LINE mode, press button ③ on the front panel or button ④ on the remote control. The subwoofer display ④ will show the LINE inscription and AUX symbol.

MUTE mode

- To enter the MUTE mode, press button ② on the front panel or button ⑤ on the remote control. To exit the MUTE mode, press the button ② on the front panel or button ⑤ on the remote control again. The MSS will return to the operation mode when a USB device is connected to the USB port ⑨ or an SD card is inserted into the corresponding slot ⑩.

Note. Due to the constant development of the software, the actual MSS operation may differ from that described in this manual. The most recent version of the manual is available at www.sven.fi.

6. TROUBLESHOOTING

Problem	Cause	Solution
The MSS does not turn on.	The MSS isn't connected to a mains outlet.	Check the connection.
	The power switch is off.	Turn on the switch.
No sound or the sound is too quiet.	Volume level is set at minimum value.	Adjust the volume control knob.
	Improperly connected audio source.	Connect the audio sources correctly.
Distortion of sound.	Large amplitude of the input signal.	Turn down the source volume and the MSS volume.
The remote control is not working.	The battery is discharged.	Replace the battery with a new one.

If none of the above methods can solve the problem, please seek professional advice at your nearest service center. Never attempt to repair the product yourself.

7. TECHNICAL SPECIFICATIONS

Parameter, measurement unit	Value
Output power (RMS), W subwoofer satellites	12 (6 + 2 × 3) 6 2 × 3
Frequency response, Hz subwoofer satellites	50 – 200 200 – 20 000
Speaker diameter, mm subwoofer satellites	Ø 105 Ø 68
Power supply, V/Hz	~220/50
Dimensions (one speaker), mm subwoofer satellites	180 × 138 × 180 80 × 120 × 72
Weight, kg	2.02

Notes:

- **Technical specifications given in this table are supplemental information and cannot give occasion to claims.**
- **Technical specifications and package contents are subject to change without notice due to the improvement of SVEN production.**

2.1 Multimedia Speaker System

SVEN®
YOU WANT – WE CAN



Модель: MS-300

Импортер в России: ООО «СКАНДИТРЕЛ»,
111024, РФ, г. Москва, ул. Авиамоторная, д. 65, стр. 1.

Уполномоченная организация в России: ООО «РТ-Ф»,
105082, г. Москва, ул. Фридриха Энгельса, д. 75, стр. 5.

Условия гарантийного обслуживания смотрите
в гарантийном талоне или на сайте **www.sven.fi**.

Гарантийный срок: 12 мес. Срок службы: 5 лет.

Производитель: «СВЕН ПТЕ. Лимитед», 176

Джу Чиаг Роуд, № 02-02, Сингапур, 427447.

Произведено под контролем «Свен Скандинавия
Лимитед», 48310, Финляндия, Котка, Котolahdentie, 15.

Сделано в Китае.

Manufacturer: SVEN PTE. LTD, 176 Joo Chiat Road,
№ 02-02, Singapore, 427447. Produced under the
control of Oy Sven Scandinavia Ltd. 15, Kotolahdentie,
Kotka, Finland, 48310. Made in China.

© Registered Trademark of Oy SVEN
Scandinavia Ltd. Finland.

MS-300