

SVEN[®]
YOU WANT – WE CAN

2.1 Hi-Fi Multimedia
Speaker System

OPERATION MANUAL



MS-3000

www.sven.fi

Congratulations on your purchase of the Sven speaker system!**COPYRIGHT**

© 2014. SVEN PTE. LTD. Version 1.0 (V 1.0).

This Manual and information contained in it are copyrighted. All rights reserved.

TRADEMARKS

All trademarks are the property of their legal holders.

NOTICE OF RESPONSIBILITY RESTRICTION

Despite the exerted efforts to make this Manual more exact, some discrepancies may occur. The information in this Manual is given on "as is" terms. The author and the publisher do not bear any liability to a person or an organization for loss or damage which has arisen from the information contained in this Manual.

CONTENTS

1. BUYER RECOMMENDATIONS	1
2. PACKAGE CONTENTS	2
3. SAFETY PRECAUTIONS	2
4. TECHNICAL DESCRIPTION	2
5. PREPARATION AND OPERATION	4
6. TROUBLESHOOTING	8
7. TECHNICAL SPECIFICATIONS	8

1. BUYER RECOMMENDATIONS

- Unpack the device carefully. Make sure there are no accessories left in the box. Check up the device for damage; if the product was damaged during transportation, address the firm which carried out the delivery; if the product functions incorrectly, address the dealer at once.
- Check up the package contents and availability of the warranty card. Make sure the warranty card has a shop stamp, a legible signature or the seller's stamp and purchase date, and the goods number corresponds to that in the warranty card.
- Do not switch on the speaker system immediately after you bring it into a room from environment with negative temperature! After unpacking, the speaker system should be kept in conditions of room temperature for at least 4 hours.
- Before installing and using the speaker system, read this Manual carefully and keep it for future reference.

2. PACKAGE CONTENTS

- Subwoofer – 1 pc
- Satellites – 2 pcs
- Amplifier module – 1 pc
- 2RCA to mini-jack (Ø 3.5 mm) signal cable – 1 pc
- Audio cables – 3 pcs
- Antenna wire – 1 pc
- Power cable – 1 pc
- Remote control – 1 pc
- CR2025 type battery installed into the remote control – 1 pc
- Operation manual – 1 pc
- Warranty card – 1 pc

3. SAFETY PRECAUTIONS



Caution! High voltage inside! To avoid the risk of electric shock do not open or touch elements inside.

- To avoid electric shock, do not open the MSS and do not perform repairs by yourself. Service and repairs should be performed only by qualified specialists in an authorized service center. The list of authorized service centers is available on www.sven.fi.
- Do not allow the circuit of wires (including the grounded ones) between the speakers, on the power amplifier or the ground, for it causes damage to the power amplifier output stage.
- Do not touch the MSS power cord plug pins for 2 seconds after unplugging it from the mains.
- Disconnect the MSS from the mains system during a fuse replacement. Use fuses of the same type and rated value. Do not use hand-made fuses.
- Do not put foreign objects inside the holes of the MSS.
- Protect the MSS from high humidity, water and dust.
- Protect the MSS from heating: do not place it closer than 1 m from a heat source. Do not expose it to direct sunlight.
- Do not place any open flame sources on or close to MSS.
- Do not place the MSS in poorly ventilated areas. Leave an air gap of 10 cm or more. When operating the MSS, do not put any devices on it, do not cover it with cloth or other objects preventing it from cooling.
- Do not use any chemical agents for cleaning. Clean it with dry soft cloth only.

4. TECHNICAL DESCRIPTION

MS-3000 2.1 Multimedia Speaker System (MSS) is designed to play music and sound games, movies, etc. Thanks to the amplifier module the MSS can be connected practically to any audio signal source (CD/DVD-players, TV set, PC, etc.). Remote control is included.

Special features

- Easy connection to various audio devices
- Hi-Fi sound quality
- Built-in FM radio
- Digital LED display
- Built-in player for audio files from portable storage devices

Operation Manual

MS-3000

- Built-in clock
- USB flash port and SD card slot
- Three switchable inputs
- Remote control
- StandBy and Mute modes
- Wall mounting possibility of satellites
- Wooden (MDF) cabinets of the subwoofer and satellites

Amplifier module panels

- ① LED display
- ② ⏻ /CLOCK: device on/off; display running time
- ③ ⏪ /SET: play/pause (in the Player mode); auto scan start (in the Radio mode); running time correction (in the ST-BY mode)
- ④ ⏮ /-: previous track selection (pressed short in the Player mode); track navigation to the beginning (pressed long in the Player mode); previous station selection (pressed short in the Radio mode); range scan down (pressed long in the Radio mode)
- ⑤ ⏭ /+: next track selection (pressed short in the Player mode); track navigation forward (pressed long in the Player mode); next station selection (pressed short in the Radio mode); range scan up (pressed long in the Radio mode)
- ⑥ IR-receiver display
- ⑦ TREBLE: HF timbre level control knob
- ⑧ BASS: LF timbre level control knob
- ⑨ VOLUME/INPUT: volume level control knob; selection of PC/AUX/FM/(USB/SD) inputs – if it is available (pressed short)
- ⑩ Slot for SD cards with MP3 format music files
- ⑪ ⏪: slot for USB flash with MP3 format music files
- ⑫ PHONE: headphones input jack
- ⑬ AUX2: AUX2 line input jack
- ⑭ PC L/R: PC input jacks
- ⑮ AUX1 L/R: AUX1 line input jacks
- ⑯ SATELLITES L/R: satellites input jacks
- ⑰ SUBWOOFER: subwoofer input jacks
- ⑱ ANT: FM-radio antenna input jack
- ⑲ FUSE 1.5A: fuse
- ⑳ POWER ON/OFF: power switch
- ㉑ Power cable input jack

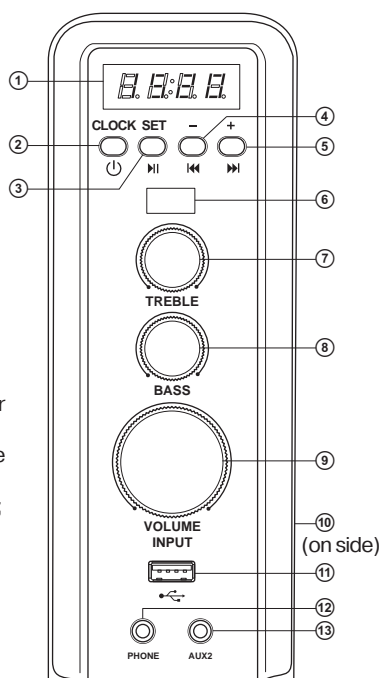


Fig. 1. Front panel

2.1 Hi-Fi Multimedia Speaker System

Remote control

- ① : On/Off switch (ST-BY mode)
- ② INPUT: selection of PC/AUX/FM/(USB/SD) inputs – if a SD card or USB flash is connected
- ③ /L: next track selection (pressed short in the Player mode); track scan to the beginning (pressed long in the Player mode); previous station (pressed short in the Radio mode); range scan down (pressed long in the Radio mode)
- ④ : sound off/on button
- ⑤ MODE: timbre control mode selection button
- ⑥ RESET: timbre resetting
- ⑦ VOL +/-: volume/timbre level control button
- ⑧ /R: next track selection (pressed short in the Player mode); track scan forward (pressed long in the Player mode); next station (pressed short in the Radio mode); range scan up (pressed long in the Radio mode)
- ⑨ : play/pause (in the Player mode); auto scan on (in the Radio mode)
- ⑩ 0-9: numeric pad

Notes:

- **Before operating the remote control (RC), extract the battery, remove the film protecting the battery from discharge during transportation, and insert the battery back into the RC.**
- **Use the remote control at an angle no more than 30 degrees, no more than 7 meters away from the IR receiver.**
- **Direct the remote control at the IR receiver display on the amplifier module.**
- **If the remote control is not working, check the battery and if necessary replace the discharged battery with a new one.**
- **Remove the battery from the remote control if the device is left unused for a long period of time (more than a week).**

5. PREPARATION AND OPERATION

Speaker placement

- Place the speakers symmetrically to the listener at least one meter away. The subwoofer emits non-directional sound, therefore it can be located in any place of the room where it sounds the best.
- Place MSS far away from monitors and TV sets, as insignificant image distortion in these supersensitive devices is possible.

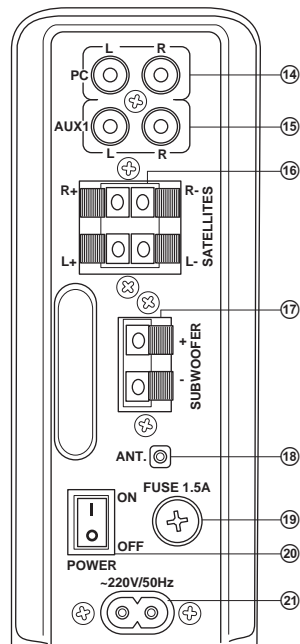


Fig. 2. Rear panel

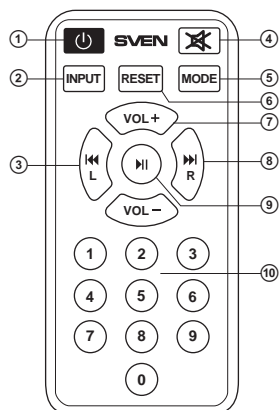


Fig. 3. Remote control

MSS connecting and control

MS-3000 Multimedia Speaker System can be connected to virtually any audio source: CD/DVD/ MP3, TV, PC sound card, etc. (see connection diagram in Fig. 4).

- Before making any connections, make sure the MSS is off and unplugged. Then connect satellites and the subwoofer to the amplifier module. To do this use audio cables (included) to connect the left speaker to the «L+» and «L-» jacks, and the right speaker to the «R+» and «R-» jacks of SATELLITES L/R ⑩ of the amplifier module following to the polarity. Then with the third audio cable (included) connect a subwoofer to SUBWOOFER ⑰ «+» and «-» jacks of the amplifier module following to the polarity as well (see diagram in Fig. 4).

Note. Check the reliable fixation of wires in terminals, connection compliance with polarity and the absence of contact of bared wires with each other and the metal parts of the hardware.

- To connect the MSS to a PC or MP3/CD player, use the 2RCA – mini-jack signal cable (included). For this at first plug the RCA jacks of the signal cable in the L и R jacks of PC AUDIO INPUT ⑭, and then plug the signal cable mini-jack (Ø 3.5 mm) in LINE OUT port of the PC sound card or in MP3/ CD-player OUTPUT, as shown in Fig. 4.

Note. The MSS can be also connected to PC, MP3/CD-player with the signal cable of mini-jack to mini-jack (not included). For this, at first, connect the signal cable mini-jack to AUX2 line input ⑬ on the amplifier module front panel and the second signal cable mini-jack to LINE OUT port of the PC sound card or to the MP3/CD-player AUDIO OUTPUT.

- Use the 2RCA to 2RCA signal cable (not included) to connect the MSS to a TV, DVD/CD players. To do this, use the signal cable to connect L and R jacks of the amplifier module AUX1 audio input ⑭ with TV or DVD/CD-player audio outputs, as shown in Fig. 4.

Note. The sound is directly dependent on accuracy and reliability of the cable connections. It's recommended to use the cables supplied with the speakers.

- Plug the power cable (included) in power cable jack ⑳. Then connect the MSS to the mains outlet.

- Turn on the device using POWER switch (㉑, ON position) on the amplifier module.

- Turn on the MSS using button ② on the amplifier module or button ① on the RC.

- Select a desired audio source by pressing short INPUT button ⑨ on the amplifier module front panel or INPUT button ② on the remote control.

- Adjust the volume level by turning VOLUME knob ④ on the amplifier module front panel or VOL+/- buttons ⑦ on the remote control (Fig. 3).

- Adjust high and low frequency levels by turning TREBLE ⑦ and BASS ⑥ knobs accordingly on the amplifier module front panel or with VOL+/- buttons ⑦ on the remote control, by pressing MODE button ⑤ previously (Fig. 3).

- If necessary adjust the balance level between the left and right channels by L/R ③/⑧ buttons on the remote control, previously selecting the mode by pressing MODE button ⑤ (Fig. 3).

- To listen to the radio direct the antenna for better reception, connecting it to the ANT jack ⑱ previously, as shown in Fig. 4.

- Press RESET button ⑥ on the remote control to reset timbres.

- After using the MSS, mind to switch it off using ON/OFF switch (㉑, OFF position) and unplug the power cable from the socket as well.

2.1 Hi-Fi Multimedia Speaker System

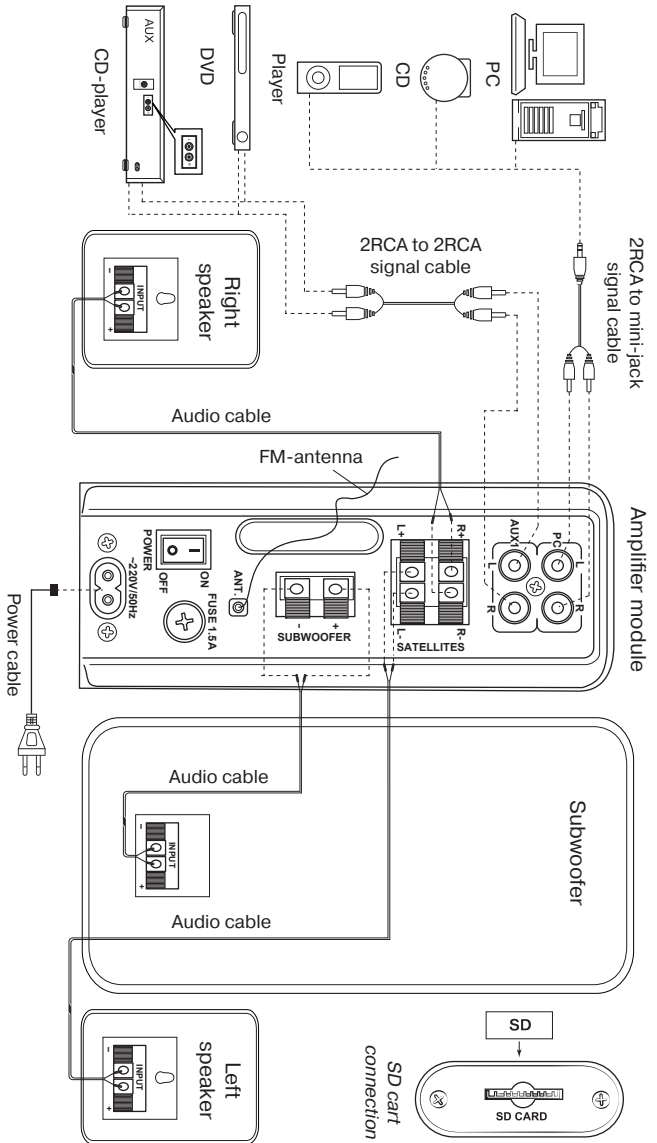


Fig. 4. Connection diagram

Player Mode

- The system will enter the Player mode automatically when a SD card is inserted into SD card slot ⑩ or a USB flash is inserted into USB port ⑪. Use INPUT button ⑨ on the front panel (or INPUT button ② on the remote control) to select a desired source, if both information carriers are inserted. LED ① will display the selected mode, then the quantity of tracks found and the rack number being played, and then the playback time elapsed. The playback will start automatically.
- To select a track, you can directly enter its number on the remote control using digital buttons ⑩. You can also select a required track with buttons ③ and ⑧ on the remote control or with buttons ④ and ⑤ on the front panel. Display ① will show the track number for a short moment and then the playback time elapsed.

* The MSS operation may be incorrect if a SD card with less than 512 Mb is used. If a USB flash device with more than 8 Gb is used, the command processing time may be increased.

Radio Mode

- Use INPUT button ⑨ on the front panel or INPUT button ② on the remote control to switch to the Radio mode, when the MSS is in operation mode. Display ① will show the FM inscription.
- Press short button ③ on the front panel to scan and memorize the found stations automatically. Display ① will show the frequency being scanned; when the station is being memorized, the display shows its number for a short moment.
- Use buttons ④ and ⑤ (up/down the frequency range) on the front panel or buttons ③ and ⑧ on the remote control to scan manually.
- You can switch from one to another station by short pressing buttons ④ and ⑤ on the front panel or buttons ③ and ⑧ on the remote control, if preset stations are stored in the memory. You can also enter a frequency or a preset station number using directly the remote control numeric pad buttons ⑩. Display ① will show the station number for a short moment and then its frequency. The radio will tune to the set frequency within 2-3 seconds.

AUX/PC Mode

- Press INPUT button ⑨ on the front panel or button ② on the remote control to switch to the AUX/PC mode, when the device is in operation mode. The front panel display ① will show AUX or PC.

CLOCK Mode

- When the MSS is in the ST-BY mode, display ① shows the current time. When the MSS is in another mode, it is necessary to use CLOCK button ② on the front panel or button ① on the remote control. The current time will be displayed for 3-5 seconds.
- Enter the ST-BY mode by long pressing button ② on the front panel or the button ① on the remote control to set the current time. Press SET button ③ on the front panel to enter the time setting mode. Set the minutes and hours directly from RC numeric pad ⑩ or using buttons ④, ⑤ on the front panel or buttons ③, ⑧ on the remote control. Press short SET button ③ on the front panel to switch between setting hours/minutes or to exit the setting mode. The time correction mode is closed automatically after 3-5 seconds.

ST-BY Mode

- Press and hold down button ② on the front panel or button ① on the RC to enter/exit this mode. Display ① on the front panel shows the current time when entering the ST-BY mode.

MUTE Mode

- Press button ④ on the remote control to enter the MUTE mode. Press button ④ on the remote control to exit the MUTE mode.

Notes:

- **To improve the sound quality, use the Line Out port of your sound card.**
- **The MSS control description can differ from the given one in this Operation Manual due to the constant improvement of the software. The last version of the Operation Manual see on www.sven.fi.**

6. TROUBLESHOOTING

Problem	Cause	Solution
The MSS does not turn on.	The MSS isn't connected to a mains outlet.	Check the connection.
	The power switch is off.	Turn on the switch.
No sound or the sound is too quiet.	Volume level is set at minimum value.	Adjust the volume control knob.
	Improperly connected audio sources.	Connect the audio sources correctly.
Distortion of sound.	Large amplitude of the input signal.	Turn down the source volume and the MSS volume.
The remote control is not working.	The battery is discharged.	Replace the battery with a new one.

If none of the above methods can solve the problem, please seek professional advice at your nearest service center. Never attempt to repair the product yourself.

7. TECHNICAL SPECIFICATIONS

Parameter, measurement unit	Value
Output power (RMS), W subwoofer satellites	80 (40 + 2 × 20) 40 2 × 20
Frequency response, Hz subwoofer satellites	35 – 150 150 – 25,000
Speaker diameters, mm subwoofer satellites (midrange + tweeter)	Ø 165 Ø 90 + Ø 22
Power supply, V/Hz	~220/50
Dimensions, mm subwoofer satellites amplifier module	265 × 265 × 265 120 × 202 × 125 69 × 200 × 220
Weight, kg	7.5

Notes:

- **Technical specifications given in this table are supplemental information and cannot give occasion to claims. Specifications and package contents are subject to change without notice due to improvement of SVEN production.**

2.1 Hi-Fi Multimedia Speaker System

SVEN®
YOU WANT – WE CAN



Модель: **MS-3000**

Импортер в России: ООО «СКАНДИТРЕЛ»,
111024, РФ, г. Москва, ул. Авиамоторная, д. 65, стр. 1.

Уполномоченная организация в России: ООО «РТ-Ф»,
105082, г. Москва, ул. Фридриха Энгельса, д. 75, стр. 5.

Условия гарантийного обслуживания смотрите
в гарантийном талоне или на сайте **www.sven.fi**.

Гарантийный срок: 12 мес.

Срок службы: 5 лет.

Производитель: «СВЕН ПТЕ. Лимитед», 176
Джу Чиат Роуд, № 02-02, Сингапур, 427447.

Произведено под контролем «Свен Скандинавия
Лимитед», 48310, Финляндия, Котка, Котolahdentie, 15.
Сделано в Китае.

Manufacturer: SVEN PTE. LTD, 176 Joo Chiat Road,
№ 02-02, Singapore, 427447. Produced under the
control of Oy Sven Scandinavia Ltd. 15, Kotolahdentie,
Kotka, Finland, 48310. Made in China.

© Registered Trademark of Oy **SVEN**
Scandinavia Ltd. Finland.

MS-3000