

SVEN[®]
YOU WANT – WE CAN

2.1 Hi-Fi Multimedia
Speaker System

OPERATION MANUAL



MS-2000

www.sven.fi

Congratulations on your purchase of the Sven speaker system!**COPYRIGHT**

© 2014. SVEN PTE. LTD. Version 1.0 (V 1.0).

This Manual and information contained in it are copyrighted. All rights reserved.

TRADEMARKS

All trademarks are the property of their legal holders.

NOTICE OF RESPONSIBILITY RESTRICTION

Despite the exerted efforts to make this Manual more exact, some discrepancies may occur. The information in this Manual is given on “as is” terms. The author and the publisher do not bear any liability to a person or an organization for loss or damage which has arisen from the information contained in this Manual.

CONTENTS

1. BUYER RECOMMENDATIONS	1
2. PACKAGE CONTENTS.....	2
3. SAFETY PRECAUTIONS	2
4. TECHNICAL DESCRIPTION	2
5. PREPARATION AND OPERATION	5
6. OPERATION MODES	6
7. TROUBLESHOOTING.....	8
8. TECHNICAL SPECIFICATIONS	8

1. BUYER RECOMMENDATIONS

- Unpack the device carefully. Make sure there are no accessories left in the box. Check up the device for damage; if the product was damaged during transportation, address the firm which carried out the delivery; if the product functions incorrectly, address the dealer at once.
- Check up the package contents and availability of the warranty card. Make sure the warranty card has a shop stamp, a legible signature or the seller’s stamp and purchase date, and the goods number corresponds to that in the warranty card.
- Do not switch on the speaker system immediately after you bring it into a room from environment with negative temperature! After unpacking, the speaker system should be kept in conditions of room temperature for at least 4 hours.
- Before installing and using the speaker system, read this Manual carefully and keep it for future reference.

Technical support is on www.sven.fi.

2. PACKAGE CONTENTS

- Subwoofer – 1 pc
- Satellites – 2 pcs
- Remote control (RC) – 1 pc
- Audio cables – 2 pcs
- 2RCA to mini-jack signal cable – 1 pc
- AAA type batteries – 2 pcs
- Antenna wire – 1 pc
- Satellite wall-mounting sets – 2 pcs
- Operation manual – 1 pc
- Warranty card – 1 pc

3. SAFETY PRECAUTIONS



Caution! High voltage inside! To avoid the risk of electric shock do not open or touch elements inside.

- To avoid electric shock, do not open the MSS and do not perform repairs by yourself. Service and repairs should be performed only by qualified specialists in an authorized service center. The list of authorized service centers is available on www.sven.fi
- Do not allow the circuit of wires (including the grounded ones) between the speakers, on the power amplifier or the ground, for it causes damage to the power amplifier output stage.
- Do not touch the MSS power cord plug pins for 2 seconds after unplugging it from the mains.
- Do not put foreign objects inside the holes of the MSS.
- Protect the MSS from high humidity, water and dust.
- Protect the MSS from heating: do not place it closer than 1 m from a heat source. Do not expose it to direct sunlight.
- Do not place any open flame sources on or close to MSS.
- Do not place the MSS in poorly ventilated areas. Leave an air gap of 10 cm or more. When operating the MSS, do not put any devices on it, do not cover it with cloth or other objects preventing it from cooling.
- Do not use any chemical agents for cleaning. Clean it with dry soft cloth only.

4. TECHNICAL DESCRIPTION

MS-2000 2.1 Multimedia Speaker System (MSS) is designed to play music and sound games, movies, etc. The MSS has a built-in power amplifier and audio cables allowing to connect it to virtually any audio source (CD/DVD-player, TV, PC, etc.) without using an additional power amplifier. The MSS has a built-in FM radio, audio player and a clock. Remote control is included.

Special features

- Speaker system is compatible with PCs, DVD/Media-players, mobile devices and other sound sources
- Built-in FM radio and clock
- Digital LED display
- Built-in player for audio files from external storage devices
- USB flash port and SD card slot
- Two switchable inputs

Operation Manual

MS-2000

- Remote control
- StandBy, Mute and Sleep modes
- Adjustable display brightness

Subwoofer control panels

- ① LED display
- ② INPUT: input switch, PC/AUX/FM/MP3 mode switch (pressed short)
- ③ VOL-/CH- / ◀◀: previous track (pressed short in the Player mode); previous station* (pressed short in the Tuner mode); volume/timbre down (pressed long)
- ④ TIMBRE: bass/treble selection (pressed short in any mode)
- ⑤ ST-BY/AUTO / ▶▶: play/pause (pressed short in the Player mode); start/stop auto scan (pressed short in the Tuner mode); Standby mode (pressed long in any mode)
- ⑥ VOL+/CH+ / ▶▶: next track (pressed short in the Player mode); next station* (pressed short in the Tuner mode); volume/timbre up (pressed long)
- ⑦ SD/MMC CARD: slot for SD/MMC cards** containing MP3 audio files
- ⑧ U DISK: slot for a USB flash device** containing MP3 audio files
- ⑨ ON/OFF: power switch (see Fig. 3)
- ⑩ Power cord
- ⑪ RADIO ANT: radio antenna input jack
- ⑫ PC AUDIO INPUT: PC input jack
- ⑬ AUX AUDIO INPUT: line input jack
- ⑭ AUDIO OUTPUT: satellite output terminals

Remote control (see Fig. 4)

- ① SD: MP3 player mode switch-on button (playing MP3 files from an SD card**)
- ② USB: MP3 player mode switch-on button (playing MP3 files from a USB flash device**)
- ③ AUTO: start auto scanning and memorizing stations in FM band (in the Tuner mode)
- ④ TUNE+/-: manual band scanning (in the Tuner mode)

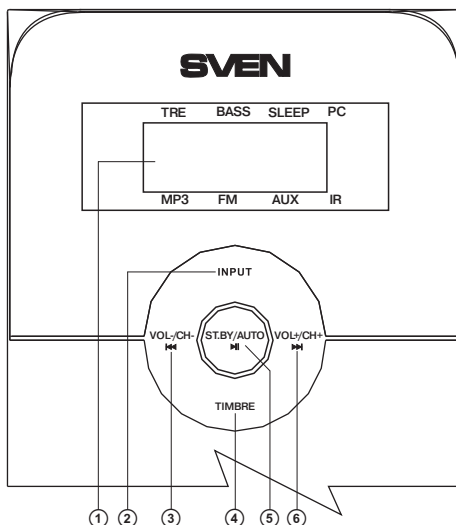


Fig. 1. Subwoofer control panel

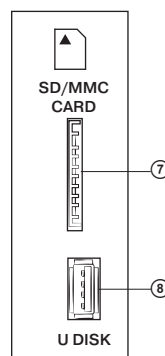


Fig. 2. Subwoofer side panel

2.1 Hi-Fi Multimedia Speaker System

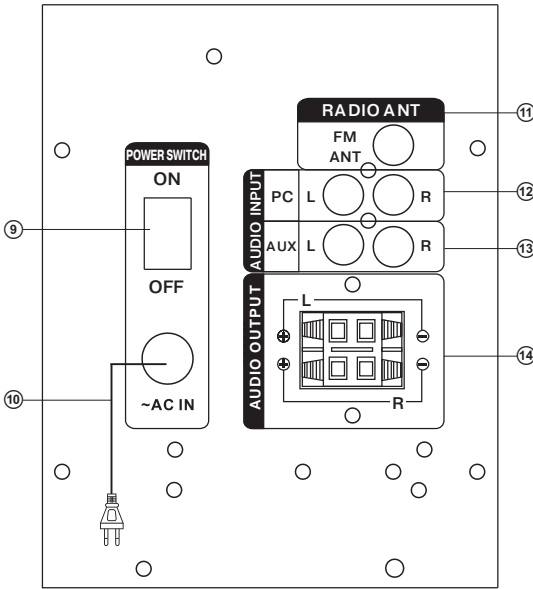


Fig. 3. Subwoofer rear panel

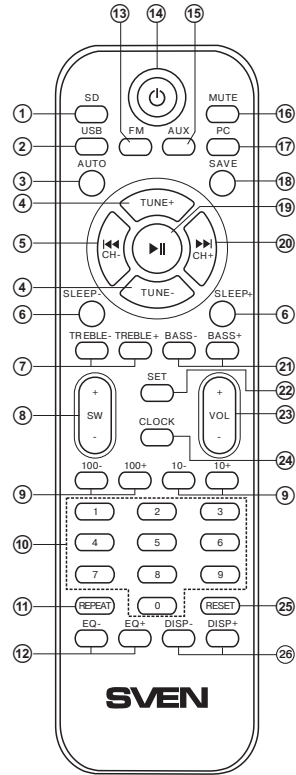


Fig. 4. Remote control

- ⑤ CH-/◀◀ : previous track (pressed short in the Player mode*)
- previous station* (pressed short in the Tuner mode)
- ⑥ SLEEP+/-: Sleep mode switch-on time setting
- ⑦ TREBLE+/-: treble level up/down
- ⑧ SW+/-: subwoofer volume control
- ⑨ 10+/-, 100+/-: track number multiplier
- ⑩ 0-9: numeric pad
- ⑪ REPEAT: player operation mode selection
- ⑫ EQ+/-: equalizer mode selection button (in the Player mode only)
- ⑬ FM: enter the Tuner mode
- ⑭ ⏻: On/Off switch
- ⑮ AUX: AUX input selection button
- ⑯ MUTE: sound on/off
- ⑰ PC: PC input selection button

- ⑱ SAVE: memorize selected frequency (in the Tuner mode)
- ⑲ ▶▶: Play/Pause (in the Player mode)
- ⑳ CH+/▶▶: next track (pressed short in the Player mode)
- next station* (pressed short in the Tuner mode)
- ㉑ BASS+/-: bass level up/down
- ㉒ SET: time setting (in the ST-BY mode)

- Ⓒ VOL+/-: volume control
- Ⓓ CLOCK: show current time

- Ⓔ RESET: return to default settings
- Ⓕ DISP+/-: adjust display brightness

Battery Installation

- Open the battery compartment on the back of the remote control.
- Insert the included AAA batteries.
- Close the battery compartment.

Notes:

- **Use the RC at an angle no more than 30° at a distance of no more than 7 meters.**
- **Direct the remote control at the LED display on the subwoofer.**
- **If the remote control does not work, check the batteries or replace the discharged batteries with new ones.**
- **Remove the batteries from the RC if you don't intend to use it for a long time.**

* The frequencies are switched if there are stations preset in the memory.

** The storage device must be formatted as FAT, FAT32. Connecting devices other than USB flash drive is not recommended. Connection of HDDs and other devices can cause damage to the MSS.

5. PREPARATION AND OPERATION

Speaker placement

- Place the speakers symmetrically to the listener at least one meter away. The subwoofer emits non-directional sound, therefore it can be located in any place of the room where it sounds the best.
- Place MSS far away from monitors and TV sets, as insignificant image distortion in these super-sensitive devices is possible.

Installation and operation

MS-2000 speaker system can be connected to virtually any audio devices: DVD/CD players, PCs, laptops, etc. (see connection diagram in Fig. 5).

- Before making any connections, make sure the MSS is off and unplugged. Then connect speakers to the subwoofer AUDIO OUTPUT L/R ⑭ terminals with the help of included audio cables. Observing the polarity connect the right speaker to the subwoofer AUDIO OUTPUT R with the audio cable and the left speaker – to the AUDIO OUTPUT L. Pay attention that the plus (red) cable wires of speakers must be connected to the subwoofer plus terminals (+ → +) and the minus (black) cable wires of speakers – to the subwoofer minus terminals (– → –) (see connection diagram in Fig. 5).

Note. Check the reliable fixation of wires in the terminals, polarity of connection and absence of contact of the bared wires with each other and the metal parts of the hardware.

- To connect the MSS to a PC, MP3/CD player, use a 2RCA to mini-jack signal cable (included). Insert the RCA jacks of the signal cable into the L and R jacks of the PC AUDIO INPUT ⑫, and the mini-jack of the signal cable – into the LINE OUT port of your PC sound card or an audio output of your MP3/ CD player, as shown in Fig. 5.
- To connect the MSS to a TV or DVD/CD player, use a 2RCA to 2RCA signal cable (not included). Insert the RCA jacks of the signal cable into the L and R jacks of the PC AUDIO INPUT ⑫, and the other RCA jacks – into your TV or DVD/CD player audio output jacks, as shown in Fig. 5.
- Connect the subwoofer to the mains outlet with the power cord ⑩.
- Turn on the MSS power supply using the ON/OFF switch (⑨, ON) on the subwoofer rear panel.

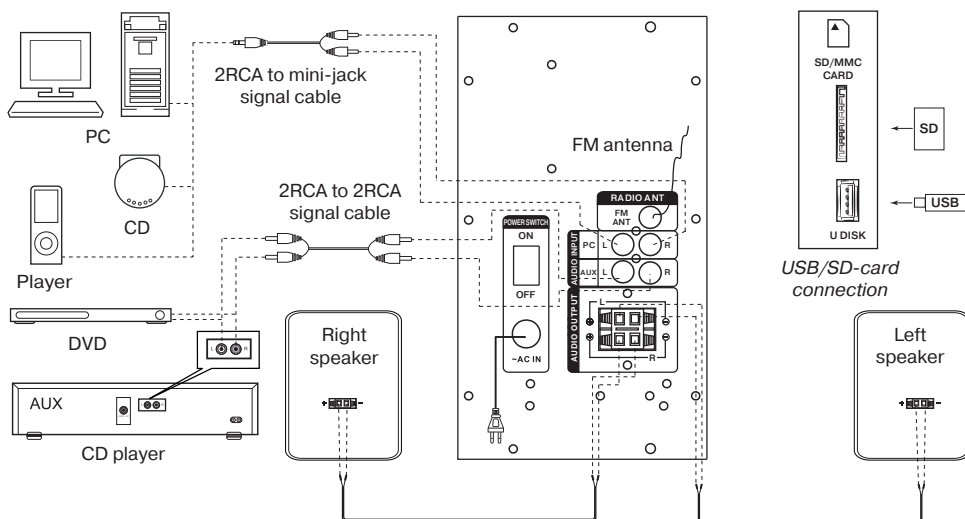


Fig. 5. Connection diagram

- Turn on the MSS with button ⑤ on the front panel or button ⑭ on the remote control.
- Select a signal source using the INPUT ② button on the control panel or remote control buttons: SD ①, USB ②, AUX ⑬, PC ⑰, FM ⑮.
- Adjust the master volume as desired with VOL- ③ and VOL+ ⑥ buttons on the control panel or with the VOL+/- ⑳ button on the remote control.
- Adjust the bass and treble level using the TIMBRE ④ and ◀ ③, ▶ ⑥ buttons on the control panel or the BASS+/- ㉑ and TREBLE+/- ⑦ buttons on the remote control.
- To adjust the subwoofer volume, use the SW+/- ⑧ buttons on the remote control.
- To listen to the radio, connect the antenna to the RADIO ANT ⑪ jack (see Fig. 5) and adjust it for better reception.
- After using the MSS, mind to switch it off using the ON/OFF switch (⑨, OFF position) and unplug the power cord ⑩ from the socket.

6. OPERATION MODES

Player Mode

- The system will automatically enter the Player mode when a USB device is connected to the USB port ⑧ or an SD card is inserted into the corresponding slot ⑦; or press the INPUT ② button on the front panel or the SD ①/USB ② buttons on the remote control. The display ① will show the selected mode, then the number of the tracks found and the number of the track played, and then the playback time elapsed. The files will automatically start playing. The playing device symbol will show on the display as well.

* Please observe the polarity connecting the satellites.

- To select the track, you can enter its number on the remote control using the numeric pad buttons ⑩ or select it using buttons ③ and ⑥ on the front panel. The display will show the track number for a short moment, and then the playback time elapsed.
- You can select a playback mode using the remote control REPEAT ⑪ button («ONE» – repeat the playing track; «RND» – play random tracks; «ALL» – play all tracks available).
- In the Player mode, Equalizer feature is available. To select a preset mode, use the EQ ⑫ button on the remote control.

* The MSS operation may be incorrect if an SD card of 512 Mb capacity or lower is used. If a USB flash device of 8 Gb capacity or more is used, command processing time may be extended.

Tuner Mode

- To switch to the Tuner mode, use the INPUT ② button on the front panel or the FM ⑬ button on the remote control. The subwoofer display ① will show the FM inscription.
- To auto scan and memorize the found stations, press button ⑤ on the front panel or the AUTO ③ button on the remote control short. To stop auto scanning, press this button again before the scanning is over. The display ④ will show the frequency being scanned. When the channel is being memorized, the display shows its number for a short moment.
- For manual scanning, use buttons TUNE-/+ ④ on the remote control (up/down the frequency range). To save the selected station, press the SAVE ⑱ button on the remote control and then, using buttons ③ and ⑥ on the front panel or buttons ⑤ and ⑳ on the remote control, assign the station its number and press the SAVE button again. When the station has been memorized, the display ① will write "Good".
- If preset stations are available in the memory, you can switch from one to another by short pressing buttons ③, ⑥ on the front panel or buttons ⑤, ⑳ on the remote control. You can also enter the frequency or the number of the preset station with the remote control numeric pad buttons. The display will show the station number for a short moment and then its frequency. The radio will tune to the set frequency within 2-3 seconds.

AUX/PC Mode

- To switch to the AUX/PC mode, press the INPUT ② button on the front panel or buttons ⑰ PC/⑱ AUX on the remote control, the MSS switched on. The display ① will show AUX or PC.

Clock Mode

- When the MSS is in the ST-BY mode, the display ① shows the current time. When the system is in a different mode, to see the time, use the CLOCK ㉔ button on the remote control. The current time will show for 3-5 seconds.
- To set the current time, go to the ST-BY mode by pressing button ⑤ on the front panel or button ⑭ on the remote control long. To enter the time setting mode, press the SET ㉒ button on the remote control (the corresponding position will start blinking on the display ①). Set the minutes and hours directly from the RC numeric pad or using buttons ③, ⑥ on the front panel or ⑤, ⑳ on the RC. To switch between setting hours/minutes and to exit the setting mode, press the RC SET ㉒ button short.

ST-BY Mode

- To enter/exit this mode, press and hold down button ⑤ on the front panel or button ⑭ on the RC. When the MSS is in the ST-BY mode, the display ① shows the current time.

MUTE Mode

- To enter the MUTE mode, press button ⑲ on the remote control. To exit the MUTE mode, press this button again.

Note. Due to the constant development of the software, the actual MSS operation may differ from that described in this manual. The most recent version of the manual is available at www.sven.fi.

7. TROUBLESHOOTING

Problem	Cause	Solution
The MSS does not turn on.	The MSS isn't connected to a mains outlet.	Check the connection.
	The power switch is off.	Turn on the switch.
No sound or the sound is too quiet.	Volume level is set at minimum value.	Adjust the volume control knob.
	Improperly connected audio source.	Connect the audio sources correctly.
Distortion of sound.	Large amplitude of the input signal.	Turn down the source volume and the MSS volume.
The remote control is not working.	The batteries are discharged.	Replace the batteries with new ones.

If none of the above methods can solve the problem, please seek professional advice at your nearest service center. Never attempt to repair the product yourself.

8. TECHNICAL SPECIFICATIONS

Parameter, measurement unit	Value
Output power (RMS), W: subwoofer satellites	40 (18 + 2 × 11) 18 2 × 11
Frequency response, Hz: subwoofer satellites	50 – 150 150 – 20,000
Speaker diameter, mm: subwoofer satellites	Ø 133 full-range Ø 80
Power supply, V/Hz	~220/50
Dimensions, mm: subwoofer satellites (one speaker)	140 × 273 × 280 95 × 152 × 95
Weight, kg	4.3

Notes:

- **Technical specifications given in this table are supplemental information and cannot give occasion to claims.**
- **Technical specifications and package contents are subject to change without notice due to the improvement of SVEN production.**

2.1 Hi-Fi Multimedia Speaker System

SVEN®
YOU WANT – WE CAN



Модель: **MS-2000**

Импортер в России: ООО «СКАНДИТРЕЛ»,
111024, РФ, г. Москва, ул. Авиамоторная, д. 65, стр. 1.

Уполномоченная организация в России: ООО «РТ-Ф»,
105082, г. Москва, ул. Фридриха Энгельса, д. 75, стр. 5.

Условия гарантийного обслуживания смотрите
в гарантийном талоне или на сайте **www.sven.fi**.

Гарантийный срок: 12 мес.

Срок службы: 5 лет.

Производитель: «СВЕН ПТЕ. Лимитед», 176

Джу Чиаг Роуд, № 02-02, Сингапур, 427447.

Произведено под контролем «Свен Скандинавия

Лимитед», 48310, Финляндия, Котка, Котolahдентие, 15.

Сделано в Китае.

Manufacturer: SVEN PTE. LTD, 176 Joo Chiat Road,
№ 02-02, Singapore, 427447. Produced under the
control of Oy Sven Scandinavia Ltd. 15, Kotolahdentie,
Kotka, Finland, 48310. Made in China.

© Registered Trademark of Oy SVEN
Scandinavia Ltd. Finland.

MS-2000