

SVEN®
YOU WANT – WE CAN

2.1 Multimedia Speaker System

OPERATION MANUAL



MS-1820

www.sven.fi

Congratulations on your purchase of the Sven speaker system!**COPYRIGHT**

© 2014. SVEN PTE. LTD. Version 1.0 (V 1.0).

This Manual and information contained in it are copyrighted. All rights reserved.

TRADEMARKS

All trademarks are the property of their legal holders.

NOTICE OF RESPONSIBILITY RESTRICTION

Despite the exerted efforts to make this Manual more exact, some discrepancies may occur. The information in this Manual is given on «as is» terms. The author and the publisher do not bear any liability to a person or an organization for loss or damage which has arisen from the information contained in this Manual.

CONTENTS

RUS	2
UKR	10
ENG	17
1. BUYER RECOMMENDATIONS	17
2. PACKAGE CONTENTS	18
3. SAFETY PRECAUTIONS	18
4. TECHNICAL DESCRIPTION	18
5. PREPARATION AND OPERATION	20
6. OPERATION MODES	21
7. TROUBLESHOOTING	23
8. TECHNICAL SPECIFICATIONS	23

1. BUYER RECOMMENDATIONS

- Unpack the device carefully. Make sure there are no accessories left in the box. Check up the device for damage; if the product was damaged during transportation, address the firm which carried out the delivery; if the product functions incorrectly, address the dealer at once.
- Check up the package contents and availability of the warranty card. Make sure the warranty card has a shop stamp, a legible signature or the seller's stamp and purchase date, and the goods number corresponds to that in the warranty card. Remember: in case of warranty card loss or discrepancy of numbers you forfeit the right for warranty repairs.
- Do not switch on the speaker system immediately after you bring it into a room from environment with negative temperature! After unpacking, the speaker system should be kept in conditions of room temperature for at least 4 hours.
- Before installing and using the speaker system, read this Manual carefully and keep it for future reference.

Technical support is on www.sven.fi

2. PACKAGE CONTENTS

- Subwoofer – 1 pc
- Satellites – 2 pcs
- Remote control (RC) – 1 pc
- RC batteries (AAA type) – 2 pcs
- Signal cable – 1 pc
- Antenna wire – 1 pc
- Operation manual – 1 pc
- Warranty card – 1 pc

3. SAFETY PRECAUTIONS



Caution! High voltage inside! To avoid the risk of electric shock do not open or touch elements inside.

- To avoid electric shock, do not open the MSS and do not perform repairs by yourself. Service and repairs should be performed only by qualified specialists in an authorized service center. The list of authorized service centers is available on www.sven.fi.
- Do not allow the circuit of wires (including the grounded ones) between the speakers, on the power amplifier or the ground, for it causes damage to the power amplifier output stage.
- Do not touch the MSS power cord plug pins for 2 seconds after unplugging it from the mains.
- Do not put foreign objects inside the holes of the MSS.
- Protect the MSS from high humidity, water dripping or splashing, as well as dust, and place no objects filled with liquids.
- Protect the MSS from heating: do not place it closer than 1 m from a heat source. Do not expose it to direct sunlight.
- Do not place the MSS in poorly ventilated areas. Leave an air gap of 10 cm or more. When operating the MSS, do not put any devices on it, do not cover it with cloth or other objects preventing it from cooling.
- Do not use any chemical agents for cleaning. Clean it with dry soft cloth only.
- If you aren't using the MSS for a long time, please mind to switch off the MCC and pull out its power cord from the socket.

4. TECHNICAL DESCRIPTION

MS-1820 2.1 Multimedia Speaker System (MSS) is designed to play music and sound games, movies, etc. The MSS has a built-in power amplifier and audio cables allowing to connect it to virtually any audio source (CD/DVD-player, TV, PC, etc.) without using an additional power amplifier. The MSS has a built-in FM radio and audio player. Remote control is included.

Special features

- MSS is compatible with PCs, DVD/Media-players, mobile devices and other sound sources
- Built-in FM radio
- Digital LED display
- Built-in player for audio files from external storage devices
- USB flash port and SD card slot
- Remote control
- Volume control and timbre control

Operation Manual

MS-1820

Subwoofer control panels

- ① LED display
- ② VOL- / ◀◀: previous track (pressed short in the Player mode);
previous station* (pressed short in the Tuner mode);
volume down (pressed long)
- ③ VOL+ / ▶▶: next track (pressed short in the Player mode);
next station* (pressed short in the Tuner mode);
volume up (pressed long)
- ④ SD/MMC CARD: slot for SD/MMC cards** containing MP3 audio files
- ⑤ TREBLE: treble level up/down
- ⑥ BASS: bass level up/down
- ⑦ IR: infrared sensor
- ⑧ MODE: AUX/FM/MP3-player switching mode (pressed short)
- ⑨ ▶|: Play/Pause (pressed short in the Player mode);
Start/Stop auto scan (pressed long in the Tuner mode)
- ⑩ USB: slot for a USB flash device** containing MP3 audio files
- ⑪ FM ANT: radio antenna input jack
- ⑫ INPUT L: AUX sound source left channel input jack
- ⑬ INPUT R: AUX sound source right channel input jack
- ⑭ OUTPUT R: right speaker output jack
- ⑮ OUTPUT L: left speaker output jack
- ⑯ ON/OFF: power switch
- ⑰ Power cord

Remote control (see Fig. 3)

- ① MUTE: sound on/off
- ② SD: MP3 player mode switch-on button (playing MP3 files from an SD card**)
- ③ USB: MP3 player mode switch-on button (playing MP3 files from a USB flash device**)
- ④ TUNE+/-: manual band scanning (in the Tuner mode)
- ⑤ CH- / ◀◀: previous track (pressed short in the Player mode*);
previous station* (pressed short in the Tuner mode)
- ⑥ EQ+/-: equalizer mode selection button (in the Player mode only)
- ⑦ 0-9: numeric pad
- ⑧ REPEAT: player operation mode selection
- ⑨ FM: enter the Tuner mode
- ⑩ AUX: AUX input selection button
- ⑪ ▶| : Play/Pause (in the Player mode)

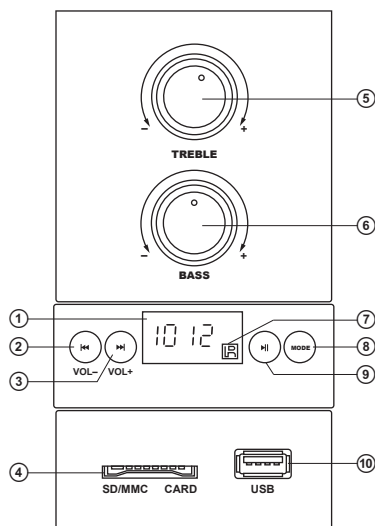


Fig. 1. Subwoofer front panel

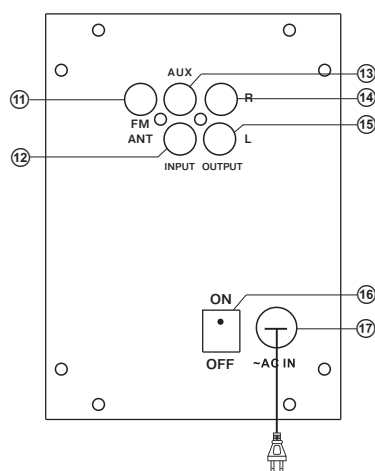


Fig. 2. Subwoofer rear panel

- ⑫ CH+▶▶: next track (pressed short in the Player mode)
next station* (pressed short in the Tuner mode)
- ⑬ AUTO: start auto scanning and memorizing stations in FM band (in the Tuner mode)
- ⑭ VOL+/-: volume control
- ⑮ SAVE: memorize selected frequency (in the Tuner mode)
- ⑯ RESET: return to default settings

Note. Before operating insert the batteries (included) into the remote control.

* The frequencies are switched if there are stations preset in the memory.

** The storage device must be formatted as FAT, FAT32. Memory cards SDHC class 10 or less can be used. Connecting devices other than USB flash drive is not recommended. Connection of HDDs and other devices can cause damage to the MSS.

5. PREPARATION AND OPERATION

Speaker placement

- Place the speakers symmetrically to the listener at least one meter away. The subwoofer emits non-directional sound, therefore it can be located in any place of the room where it sounds the best.
- Place MSS far away from monitors and TV sets, as insignificant image distortion in these supersensitive devices is possible.

Installation and operation

MS-1820 speaker system can be connected to virtually any audio devices: DVD/CD players, PCs, laptops, etc. (see diagram in Fig. 4).

Warning! Before connection all components of the system must be turned off.

- Connect satellites with the subwoofer using built-in acoustic cables in speakers. Connect the left speaker to the OUTPUT L ⑮ jack and the right speaker to the subwoofer OUTPUT R ⑭ jack (see diagram in Fig. 4).
- To connect the MSS to a PC, MP3/CD player, use a 2RCA to mini-jack signal cable (included). Insert the RCA jacks of the signal cable into the L ⑫ and R ⑬ jacks of the INPUT, and the mini-jack of the signal cable – into the LINE OUT port of your PC sound card or an audio output of your MP3/CD player.
- To connect the MSS to a TV or DVD/CD player, use a 2RCA to 2RCA signal cable (not included). Insert the RCA jacks of the signal cable into the L ⑫ and R ⑬ jacks of the INPUT, and the other RCA jacks – into your TV or DVD/CD player audio output jacks, as shown in Fig. 4.

Note. Check the reliable fixation of wires in the terminals, polarity of connection and absence of contact of the bared wires with each other and the metal parts of the hardware.

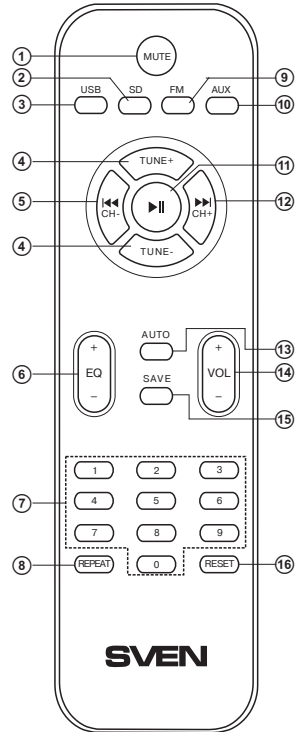


Fig. 3. Remote control

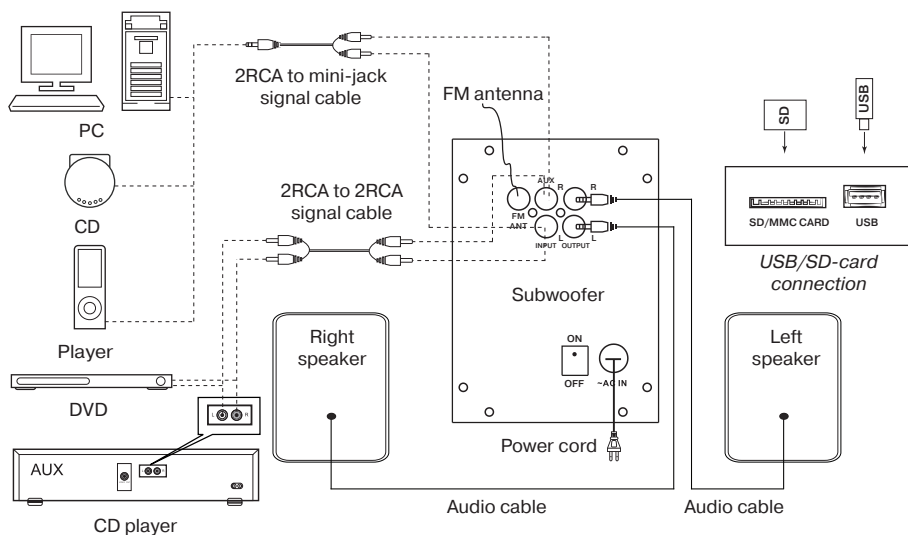


Fig. 4. Connection diagram

- Connect the subwoofer to the mains outlet with the power cord ⑰.
- Turn on the MSS power supply using the ON/OFF switch (⑯, ON) on the subwoofer rear panel. «AUX» title will be displayed on the LED display ①.
- Select a signal source using the MODE ⑧ button on the control panel or remote control buttons: SD ②, USB ③, AUX ⑩, FM ⑨.
- Adjust the master volume as desired with VOL- ② and VOL+ ③ buttons on the control panel or with the VOL+/- ⑭ button on the remote control.
- Select the desired LF/HF timbre level using BASS+/- ⑥ and TREBLE+/- ⑤ knobs on the control panel.
- To listen to the radio, connect the antenna to the FM ANT ⑪ jack and adjust it for better reception.
- After using the MSS, mind to switch it off using the ON/OFF switch (⑯, OFF position) and unplug the power cord ⑰ from the socket.

6. OPERATION MODES

Player Mode

- The system will automatically enter the Player mode when a USB device is connected to the USB port ④ or an SD card is inserted into the corresponding slot ⑦; or press the INPUT ② button on the front panel or the SD ②/USB ③ buttons on the remote control. The display ① will show the selected mode, then the number of the tracks found and the number of the track played. The files will automatically start playing.

- To select the track, you can enter its number on the remote control using the numeric pad buttons ⑦. The display ① will show sequence number of a track.
- You can select a playback mode using the remote control REPEAT ⑧ button («ONE» – repeat the playing track; «ANN» – play random tracks; «ALL» – play all tracks available).
- In the Player mode, Equalizer feature is available. To select a preset mode, use the EQ+ and EQ- ⑥ buttons on the remote control.

* The MSS operation may be incorrect if an SD card of 512 Mb capacity or lower is used. If a USB flash device of 8 Gb capacity or more is used, command processing time may be extended.

Tuner Mode

- To switch to the Tuner mode, use the INPUT ② button on the front panel or the FM ⑬ button on the remote control. The subwoofer display ① will show the current frequency.
- To auto scan and memorize the found stations, long press button ④ on the front panel or the AUTO ⑬ button on the remote control short. To stop auto scanning, press this button again before the scanning is over. The display ① will show the frequency being scanned. When the channel is being memorized, the display shows its number for a short moment.
- For manual scanning, use buttons TUNE-/+ ④ on the remote control (up/down the frequency range). To save the selected station, press the SAVE ⑮ button on the remote control and then, using buttons ② and ③ on the front panel or buttons ⑤ and ⑫ on the remote control, assign the station its number and press the SAVE ⑮ button again. When the station has been memorized, the display ① will write "Good".
- If preset stations are available in the memory, you can switch from one to another by short pressing buttons ②, ③ on the front panel or buttons ⑤, ⑫ on the remote control. You can also enter the frequency with the remote control numeric pad buttons. The radio will tune to the set frequency within 2-3 seconds.

AUX Mode

- To switch to the AUX mode, press the MODE ⑥ button on the front panel or AUX ⑩ button on the remote control, the MSS switched on. The display ① will show "AUX".

MUTE Mode

- To enter the MUTE mode, press button ① on the remote control. The display ① will write "MUTE". To exit the MUTE mode, press button ① on the remote control again.

Note. *Due to the constant development of the software, the actual MSS operation may differ from that described in this manual. The most recent version of the manual is available at www.sven.fi.*

7. TROUBLESHOOTING

Problem	Cause	Solution
The MSS does not turn on.	The MSS isn't connected to a mains outlet.	Check the connection.
	The power switch is off.	Turn on the switch.
No sound or the sound is too quiet.	Volume level is set at minimum value.	Adjust the volume control knob.
	Improperly connected audio source.	Connect the audio sources correctly.
Distortion of sound.	Large amplitude of the input signal.	Turn down the source volume and the MSS volume.
The remote control is not working.	The batteries are discharged.	Replace the batteries with new ones.

If none of the above methods can solve the problem, please seek professional advice at your nearest service center. Never attempt to repair the product yourself.

8. TECHNICAL SPECIFICATIONS

Parameter, measurement unit	Value
Output power (RMS), W: subwoofer satellites	40 (18 + 2 × 11) 18 2 × 11
Frequency response, Hz: subwoofer satellites	40 – 150 150 – 20 000
Speaker diameter, mm: subwoofer satellites	Ø 92 Ø 57
Power supply, V/Hz	~230/50
Dimensions, mm: subwoofer satellites (one speaker)	164 × 233 × 250 90 × 130 × 83
Weight, kg	4

Notes:

- **Technical specifications given in this table are supplemental information and cannot give occasion to claims.**
- **Technical specifications and package contents are subject to change without notice due to the improvement of SVEN production.**

2.1 Multimedia Speaker System

SVEN®
YOU WANT – WE CAN



Manufacturer: SVEN PTE. LTD, 176 Joo Chiat Road,
N° 02-02, Singapore, 427447.
Produced under the control of Oy Sven Scandinavia Ltd.
15, Kotolahdentie, Kotka, Finland, 48310. Made in China.

© Registered Trademark of Oy **SVEN**
Scandinavia Ltd. Finland.



V01

MS-1820