

**SVEN**<sup>®</sup>  
YOU WANT – WE CAN

2.1 Multimedia Speaker System

## OPERATION MANUAL



**MS-1085  
GOLD**

[www.sven.fi](http://www.sven.fi)

***Congratulations on your purchase of the Sven speaker system!***

## **COPYRIGHT**

© 2014. SVEN PTE. LTD. Version 1.0 (V 1.0).

This Manual and information contained in it are copyrighted. All rights reserved.

## **TRADEMARKS**

All trademarks are the property of their legal holders.

## **NOTICE OF RESPONSIBILITY RESTRICTION**

Despite the exerted efforts to make this Manual more exact, some discrepancies may occur. The information in this Manual is given on «as is» terms. The author and the publisher do not bear any liability to a person or an organization for loss or damage which has arisen from the information contained in this Manual.

## **CONTENTS**

|   |          |
|---|----------|
| <b>1. BUYER RECOMMENDATIONS .....</b>     | <b>2</b> |
| <b>2. PACKAGE CONTENTS .....</b>          | <b>3</b> |
| <b>3. SAFETY PRECAUTIONS .....</b>        | <b>3</b> |
| <b>4. TECHNICAL DESCRIPTION .....</b>     | <b>3</b> |
| <b>5. PREPARATION AND OPERATION .....</b> | <b>4</b> |
| <b>6. TROUBLESHOOTING .....</b>           | <b>5</b> |
| <b>7. TECHNICAL SPECIFICATIONS .....</b>  | <b>6</b> |

### **1. BUYER RECOMMENDATIONS**

- Unpack the device carefully. Make sure there are no accessories left in the box. Check up the device for damage; if the product was damaged during transportation, address the firm which carried out the delivery; if the product functions incorrectly, address the dealer at once.
- Check up the package contents and availability of the warranty card. Make sure the warranty card has a shop stamp, a legible signature or the seller's stamp and purchase date, and the goods number corresponds to that in the warranty card.
- Do not switch on the speaker system immediately after you bring it into a room from environment with negative temperature! After unpacking, the speaker system should be kept in conditions of room temperature for at least 4 hours.
- Before installing and using the speaker system, read this Manual carefully and keep it for future reference.

***Technical support is on [www.sven.fi](http://www.sven.fi).***

## 2. PACKAGE CONTENTS

- Subwoofer — 1 pc
- Satellites — 2 pcs
- 2RCA to mini-jack signal cable — 1 pc
- Mini-jack to mini-jack microphone cable — 1 pc
- Operation manual — 1 pc
- Warranty card — 1 pc

## 3. SAFETY PRECAUTIONS



**Caution! High voltage inside! To avoid the risk of electric shock do not open or touch elements inside.**

- To avoid electric shock, do not open the MSS and do not perform repairs by yourself. Service and repairs should be performed only by qualified specialists in an authorized service center. The list of authorized service centers is available on [www.sven.fi](http://www.sven.fi)
- Do not allow the circuit of wires (including the grounded ones) between the speakers, on the power amplifier or the ground, for it causes damage to the power amplifier output stage.
- Do not touch the MSS power cord plug pins for 2 seconds after unplugging it from the mains.
- Do not put foreign objects inside the holes of the MSS.
- Protect the MSS from high humidity, water and dust.
- Protect the MSS from heating: do not place it closer than 1 m from a heat source. Do not expose it to direct sunlight.
- Do not place any open flame sources on or close to MSS.
- Do not place the MSS in poorly ventilated areas. Leave an air gap of 10 cm or more. When operating the MSS, do not put any devices on it, do not cover it with cloth or other objects preventing it from cooling.
- Do not use any chemical agents for cleaning. Clean it with dry soft cloth only.

## 4. TECHNICAL DESCRIPTION

MS-1085 GOLD Multimedia Speaker System (MSS) is designed to play music and sound games, movies, etc. The MSS has a built-in transformer power supply, an audio and a signal cable allowing to connect it to virtually any audio source (CD/DVD player, TV, PC, etc.).

### Special features

- Speaker system is compatible with PCs, DVD/Media-players, mobile devices and other sound sources
- Wired remote control
- 2-way satellites
- Subwoofer volume control
- Headset jack on wired remote control

### Front control panel (Fig. 1)

- ① MIC: microphone output
- ② BASS: subwoofer volume control knob
- ③ INPUT: audio device connection input
- ④ OUTPUT: satellite output
- ⑤ POWER: power switch

- ⑥ Volume control knob
- ⑦ : headphone jack
- ⑧ : microphone jack
- ⑨ : Power cord

### 5. PREPARATION AND OPERATION

#### Speaker placement

- Place the satellites symmetrically to the listener at the distance not less than one meter.
- Place MSS far away from monitors and TV sets, as insignificant image distortion in these supersensitive devices is possible. We recommend that the subwoofer should be placed on the table.

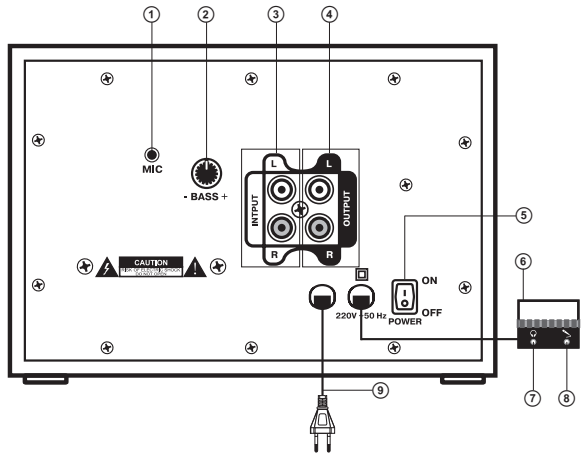


Fig. 1. Rear panel

#### Installation and operation guide

MS-1085 GOLD Multimedia Speaker System can be connected to virtually any audio source: DVD/CD/MP3, TV, PC sound card, etc. (see Fig. 2).

#### **WARNING! All the components should be switched off before connection.**

- Connect the subwoofer and the satellites (see Fig. 2).
- Plug the mini-jack of the signal cable (2RCA to mini-jack) into Line out port of the computer sound card or an audio output of your CD/MP3 player, then insert the 2RCA-jacks of the signal cable into the subwoofer input connector OUTPUT ④. Note that the white RCA-jack must be connected to the white subwoofer terminal and the red RCA-jack – to the red subwoofer terminal.
- Plug the mini-jack of the microphone cable into the Mic jack of the computer sound card, then insert the other mini-jack of the microphone cable into the MIC microphone output ①.
- Plug the headset into jacks 7 and 8 on the wired remote control.

**Note. To connect the MSS to a DVD player or TV, use a 2RCA to 2RCA signal cable (not included), as shown in Fig. 2.**

- Plug the power cord ⑨ into a mains outlet.
- Set the volume control knob ⑥ to its minimum by turning knob ⑥ counter-clockwise until it stops, switch on the device with POWER ⑤ switch on the subwoofer rear panel.
- Set the required volume with the volume control knob on the wired remote control.
- Keep the subwoofer volume control knob in mid position.

#### Notes:

- **If the MSS is left unused for a long period of time, please mind to switch off POWER ⑤ on the subwoofer rear panel and unplug it.**
- **To improve the sound quality, use the Line-Out port of your sound card.**

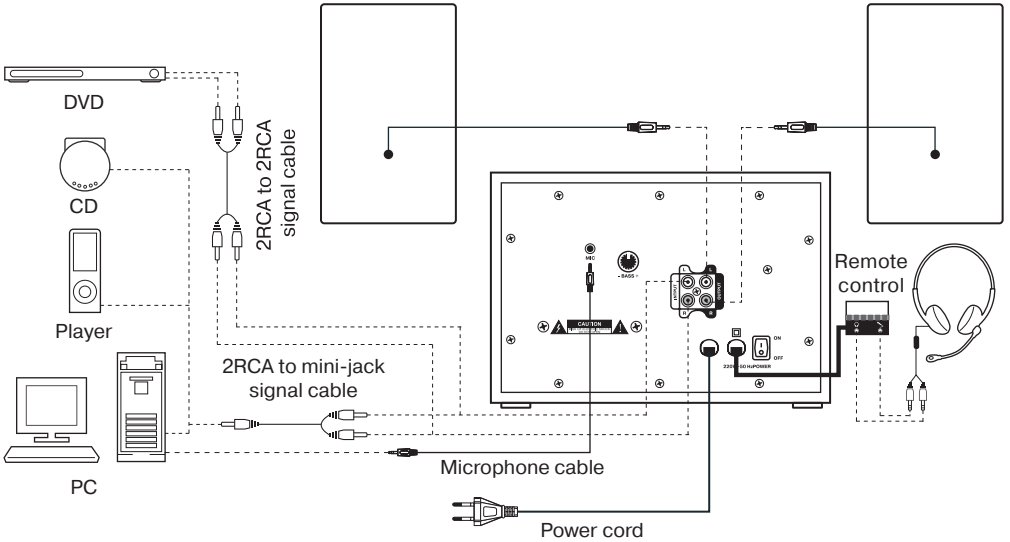


Fig. 2. Connection diagram

## 6. TROUBLESHOOTING

| Problem                               | Cause  | Solution                                    |
|---------------------------------------|--|---|
| The MMS doesn't turn on.              | The MMS isn't connected to the mains outlet. | Check the connection.                       |
|                                       | Power switch is off.                         | Turn on the switch.                         |
| No sound.                             | Volume level is set at minimum value.        | Adjust the volume control knob.             |
|                                       | Improperly connected audio source.           | Connect audio sources correctly.            |
| There is too quiet sound of speakers. | Volume level is set at minimum value.        | Adjust the volume control knob.             |
| Distortion of sound.                  | Large amplitude of the input signal.         | Turn down the source volume and MSS volume. |

If none of the above methods can solve the problem, please seek professional advice at your nearest service center. Never attempt to repair the product yourself.

## 7. TECHNICAL SPECIFICATIONS

| Parameter, measurement unit                              | Value                              |
|--|------------------------------------|
| Output power (RMS), W:<br>subwoofer<br>satellites        | 46 (20 + 2 × 13)<br>20<br>2 × 13   |
| Speaker diameter, mm:<br>subwoofer<br>satellites         | ∅ 125<br>woofer ∅ 75, tweeter ∅ 25 |
| Supply voltage, V/Hz                                     | ~220/50                            |
| Frequency range, Hz:<br>subwoofer<br>satellites          | 40 – 150<br>150 – 20 000           |
| Dimensions, mm:<br>subwoofer<br>satellites (one speaker) | 266 × 246 × 187<br>101 × 111 × 166 |
| Weight, kg   | 4.96                               |

**Notes:**

- **Technical specifications given in this table are supplemental information and cannot give occasion to claims.**
- **Technical specifications and package contents are subject to change without notice due to the improvement of SVEN production.**

*Для заметок  
Для нотаток  
Notices*

## 2.1 Multimedia Speaker System

**SVEN**®  
YOU WANT – WE CAN



Модель: **MS-1085 GOLD**

Импортер в России: ООО «СКАНДИТРЕЛ», 111024, РФ, г. Москва, ул. Авиамоторная, д. 65, стр. 1.

Уполномоченная организация в России: ООО «РТ-Ф», 105082, г. Москва, ул. Фридриха Энгельса, д. 75, стр. 5.

Условия гарантийного обслуживания смотрите в гарантийном талоне или на сайте [www.sven.fi](http://www.sven.fi)

Гарантийный срок: 12 мес. Срок службы: 5 года.

Производитель: «СВЕН ПТЕ. Лимитед», 176

Джу Чиаг Роуд, № 02-02, Сингапур, 427447.

Произведено под контролем «Свен Скандинавия Лимитед», 48310, Финляндия, Котка, Котолахдентие, 15.

Сделано в Китае.

Manufacturer: SVEN PTE. LTD, 176 Joo Chiat Road, № 02-02, Singapore, 427447. Produced under the control of Oy Sven Scandinavia Ltd. 15, Kotoлахdentie, Kotka, Finland, 48310. Made in China.

® Registered Trademark of Oy SVEN Scandinavia Ltd. Finland.

**MS-1085  
GOLD**