

SVEN[®]
YOU WANT – WE CAN

2.1 Multimedia Speaker System

OPERATION MANUAL



MS – 105

www.sven.fi

Congratulations on your purchase of the Sven speaker system!**COPYRIGHT**

© 2014. SVEN PTE. LTD. Version 1.0 (V 1.0).

This Manual and information contained in it are copyrighted. All rights reserved.

TRADEMARKS

All trademarks are the property of their legal holders.

NOTICE OF RESPONSIBILITY RESTRICTION

Despite the exerted efforts to make this Manual more exact, some discrepancies may occur. The information in this Manual is given on «as is» terms. The author and the publisher do not bear any liability to a person or an organization for loss or damage which has arisen from the information contained in this Manual.

CONTENTS

1. BUYER RECOMMENDATIONS	1
2. PACKAGE CONTENTS	2
3. SAFETY PRECAUTIONS	2
4. TECHNICAL DESCRIPTION	2
5. PREPARATION AND OPERATION	3
6. TROUBLESHOOTING	5
7. TECHNICAL SPECIFICATIONS	6

1. BUYER RECOMMENDATIONS

- Unpack the device carefully. Make sure there are no accessories left in the box. Check up the device for damage; if the product was damaged during transportation, address the firm which carried out the delivery; if the product functions incorrectly, address the dealer at once.
- Check up the package contents and availability of the warranty card. Make sure the warranty card has a shop stamp, a legible signature or the seller's stamp and purchase date, and the goods number corresponds to that in the warranty card.
- Do not switch on the speaker system immediately after you bring it into a room from environment with negative temperature! After unpacking, the speaker system should be kept in conditions of room temperature for at least 4 hours.
- Before installing and using the speaker system, read this Manual carefully and keep it for future reference.

Technical support is on www.sven.fi.

2. PACKAGE CONTENTS

- Subwoofer — 1 pc
- Satellites — 2 pcs
- Mini-jack to mini-jack signal cable — 1 pc
- Operation manual — 1 pc
- Warranty card — 1 pc

3. SAFETY PRECAUTIONS



Caution! High voltage inside! To avoid the risk of electric shock do not open or touch elements inside.

- To avoid electric shock, do not open the MSS and do not perform repairs by yourself. Service and repairs should be performed only by qualified specialists in an authorized service center. The list of authorized service centers is available on www.sven.fi
- Do not allow the circuit of wires (including the grounded ones) between the speakers, on the power amplifier or the ground, for it causes damage to the power amplifier output stage.
- Do not touch the MSS power cord plug pins for 2 seconds after unplugging it from the mains.
- Disconnect the MSS from the mains system during a fuse replacement. Use fuses of the same type and rated value. Do not use hand-made fuses.
- Do not put foreign objects inside the holes of the MSS.
- Protect the MSS from high humidity, water and dust.
- Protect the MSS from heating: do not place it closer than 1 m from a heat source. Do not expose it to direct sunlight.
- Do not place any open flame sources on or close to MSS.
- Do not place the MSS in poorly ventilated areas. Leave an air gap of 10 cm or more. When operating the MSS, do not put any devices on it, do not cover it with cloth or other objects preventing it from cooling.
- Do not use any chemical agents for cleaning. Clean it with dry soft cloth only.

4. TECHNICAL DESCRIPTION

MS-105 2.1 Multimedia Speaker System (MSS) is designed to play music and sound games, movies, etc. The MSS has a built-in power amplifier and audio cables built into the speakers enabling to connect it to virtually any audio source (CD/DVD player, TV, PC, etc.) without using a separate power amplifier.

Special features

- Built-in transformer power supply
- Volume control and bass control
- Speaker system is compatible with PCs, DVD/Media-players, mobile devices and other sound sources
- Elegant black surface
- MDF subwoofer and satellites cabinets

Subwoofer front and rear panels

- ① Subwoofer
- ② Bass reflex port
- ③ BASS: bass control knob
- ④ VOLUME: volume control knob
- ⑤ Speakers
- ⑥ SPEAKER OUT: Ø 3.5 mm speaker output
- ⑦ LINE IN: Ø 3.5 mm subwoofer output
- ⑧ POWER ON/OFF: power switch
- ⑨ Power cord

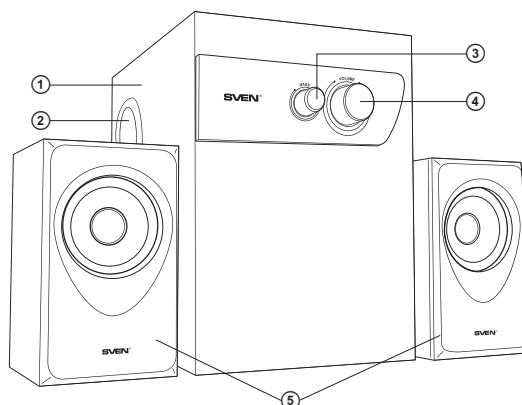


Fig. 1. Front view

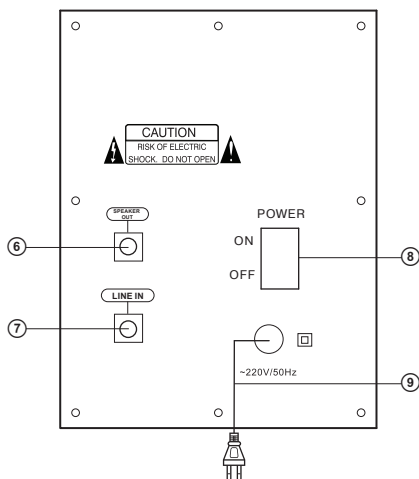


Fig. 2. Subwoofer rear panel

5. PREPARATION AND OPERATION**Speaker placement**

- Place the speakers symmetrically to the listener at least one meter away. The subwoofer emits non-directional sound, therefore it can be located in any place of the room where it sounds the best.
- Since the speaker system has a side-mounted bass reflex port ②, place the speaker system 20-30 cm away from a wall or any other obstacle.
- Place MSS far away from monitors and TV sets, as insignificant image distortion in these super-sensitive devices is possible.

MSS connecting and control

MS-105 Multimedia Speaker System can be connected to virtually any audio source: DVD / CD, PC sound card, etc. (see connection diagram in Fig. 3).

- Before making any connections, make sure that the MSS is switched off. Connect the audio cable built into the speakers into the SPEAKERS OUT ⑥ on the subwoofer (see Fig. 3)
- Connect one mini-jack of the stereo signal cable to the LINE IN ⑦ jack on the subwoofer and the other mini-jack to your PC or MP3/CD player.

2.1 Multimedia Speaker System

- Adjust the master volume level to the minimum by turning the VOLUME control knob ④ counter-clockwise until it stops. Then connect the subwoofer to the mains outlet using the built-in power cord ⑤.
- Turn on the subwoofer power using the POWER switch (⑥, ON position). Then turn on the sound source and adjust the master volume with the VOLUME knob ④, and the bass level – with the BASS knob ③.

Notes:

- *If the MSS is left unused for a long period of time, please mind to switch it off on the subwoofer rear panel (OFF position) and pull out its plug from the socket.*
- *To improve the sound quality, use the Line-Out jack of your sound card.*

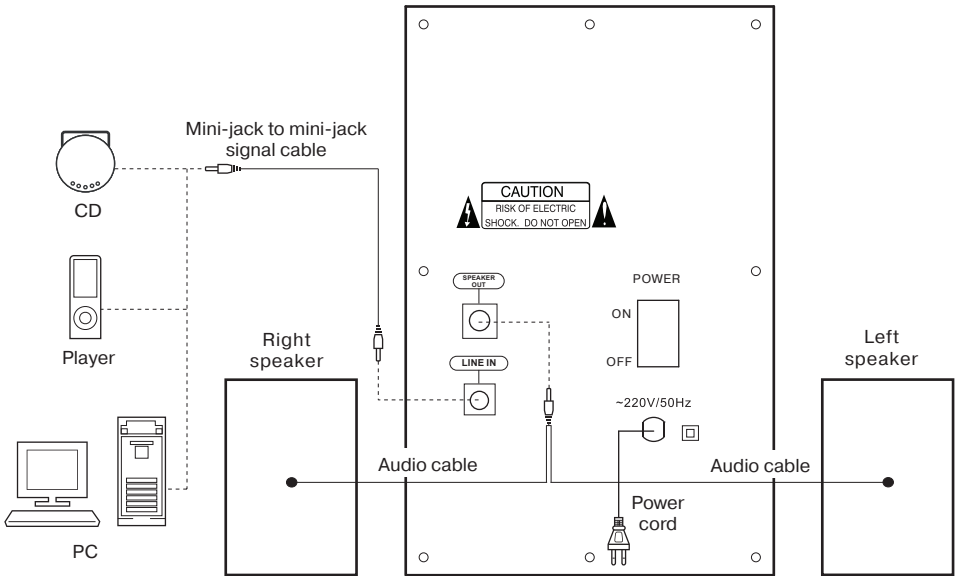


Fig. 3. Connection diagram

6. TROUBLESHOOTING

Problem	Cause	Solution
The MSS does not turn on.	The MSS is not connected to a mains outlet.	Check the connection.
	The power switch is off.	Turn on the switch.
No sound.	The volume level is set at minimum value.	Adjust the volume control knob.
	Improperly connected audio source.	Connect the audio sources correctly.
There is too quiet sound of speakers.	The volume level is set at minimum value.	Adjust the volume control knob.
Distortion of sound.	Large amplitude of the input signal.	Turn down the source and MSS volume.

If none of the above mentioned solutions removes the problem, please address your nearest authorized service centre. Never try to repair the device on your own.

7. TECHNICAL SPECIFICATIONS

Parameter, measurement unit	Value
Output power (RMS), W subwoofer satellites	11 (6 + 2 × 2.5) 6 2 × 2.5
Frequency range, Hz	40 – 20 000
S/N ratio, dB	≥ 65
Speaker diameter, mm subwoofer satellites	∅ 100 ∅ 63
Power supply, V / Hz	~220/50
Dimensions (W × H × D), mm subwoofer satellites (one speaker)	157 × 220 × 224.5 80 × 138 × 98
Weight, kg	3.4

Notes:

- **Technical specifications given in this table are supplemental information and cannot give occasion to claims.**
- **Technical specifications and package contents are subject to change without notice due to the improvement of SVEN production.**

2.1 Multimedia Speaker System

SVEN®
YOU WANT – WE CAN



Модель: **MS-105**

Импортер в России: ООО «СКАНДИТРЕЛ»,
111024, РФ, г. Москва, ул. Авиамоторная, д. 65, стр. 1.
Уполномоченная организация в России: ООО «РТ-Ф»,
105082, г. Москва, ул. Фридриха Энгельса, д. 75, стр. 5.
Условия гарантийного обслуживания смотрите
в гарантийном талоне или на сайте **www.sven.fi**.
Гарантийный срок: 12 мес. Срок службы: 5 лет.
Производитель: «СВЕН ПТЕ. Лимитед», 176 Джу Чиат
Роуд, № 02-02, Сингапур, 427447. Произведено под
контролем «Свен Скандинавия Лимитед»,
48310, Финляндия, Котка, Котолахдентие, 15.
Сделано в Китае.

Manufacturer: SVEN PTE. LTD, 176 Joo Chiat Road,
№ 02-02, Singapore, 427447. Produced under the
control of Oy Sven Scandinavia Ltd. 15, Kotolahdentie,
Kotka, Finland, 48310. Made in China.

© Registered Trademark of Oy SVEN
Scandinavia Ltd. Finland.

MS-105