

**SVEN**®  
YOU WANT – WE CAN

2.1 Multimedia Speaker System

# OPERATION MANUAL



**MS – 100**

[www.sven.fi](http://www.sven.fi)

***Congratulations on your purchase of the Sven speaker system!*****COPYRIGHT**

© 2014. SVEN PTE. LTD. Version 1.0 (V 1.0).

This Manual and information contained in it are copyrighted. All rights reserved.

**TRADEMARKS**

All trademarks are the property of their legal holders.

**NOTICE OF RESPONSIBILITY RESTRICTION**

Despite the exerted efforts to make this Manual more exact, some discrepancies may occur. The information in this Manual is given on «as is» terms. The author and the publisher do not bear any liability to a person or an organization for loss or damage which has arisen from the information contained in this Manual.

**CONTENTS**

<b>1. BUYER RECOMMENDATIONS</b> .....	<b>1</b>
<b>2. PACKAGE CONTENTS</b> .....	<b>2</b>
<b>3. SAFETY PRECAUTIONS</b> .....	<b>2</b>
<b>4. TECHNICAL DESCRIPTION</b> .....	<b>2</b>
<b>5. PREPARATION AND OPERATION</b> .....	<b>3</b>
<b>6. TROUBLESHOOTING</b> .....	<b>4</b>
<b>7. TECHNICAL SPECIFICATIONS</b> .....	<b>4</b>

**1. BUYER RECOMMENDATIONS**

- Unpack the device carefully. Make sure there are no accessories left in the box. Check up the device for damage; if the product was damaged during transportation, address the firm which carried out the delivery; if the product functions incorrectly, address the dealer at once.
- Check up the package contents and availability of the warranty card. Make sure the warranty card has a shop stamp, a legible signature or the seller's stamp and purchase date, and the goods number corresponds to that in the warranty card.
- Do not switch on the speaker system immediately after you bring it into a room from environment with negative temperature! After unpacking, the speaker system should be kept in conditions of room temperature for at least 4 hours.
- Before installing and using the speaker system, read this Manual carefully and keep it for future reference.

**Technical support is on [www.sven.fi](http://www.sven.fi).**

## 2. PACKAGE CONTENTS

- Subwoofer – 1 pc
- Satellites – 2 pcs
- Power supply – 1 pc
- Operation manual – 1 pc
- Warranty card – 1 pc

## 3. SAFETY PRECAUTIONS



**Caution! High voltage inside! To avoid the risk of electric shock do not open or touch elements inside.**

- To avoid electric shock, do not open the MSS and do not perform repairs by yourself. Service and repairs should be performed only by qualified specialists in an authorized service center. The list of authorized service centers is available on [www.sven.fi](http://www.sven.fi)
- Do not allow the circuit of wires (including the grounded ones) between the speakers, on the power amplifier or the ground, for it causes damage to the power amplifier output stage.
- Do not touch the MSS power cord plug pins for 2 seconds after unplugging it from the mains.
- Do not put foreign objects inside the holes of the MSS.
- Protect the MSS from high humidity, water and dust.
- Protect the MSS from heating: do not place it closer than 1 m from a heat source. Do not expose it to direct sunlight.
- Do not place any open flame sources on or close to MSS.
- Do not place the MSS in poorly ventilated areas. Leave an air gap of 10 cm or more. When operating the MSS, do not put any devices on it, do not cover it with cloth or other objects preventing it from cooling.
- Do not use any chemical agents for cleaning. Clean it with dry soft cloth only.

## 4. TECHNICAL DESCRIPTION

MS-100 2.1 Multimedia Speaker System (MSS) is designed to play music and sound games, movies etc. The MSS has a built-in power amplifier, audio cable built into the satellites enabling to connect it to virtually any audio source (CD/DVD-player, TV, PC, etc.) without an additional power amplifier. Special design of the speaker system enables to use it both in 2.1 and 2.0 formats.

### Special features

- External power supply
- Speaker system is compatible with PCs, DVD/Media-players, mobile devices and other sound sources
- Controls on the active speaker front panel
- Special design of the speaker system enables to use it both in 2.1 and 2.0 formats
- Full magnetic shielding
- MDF subwoofer cabinet

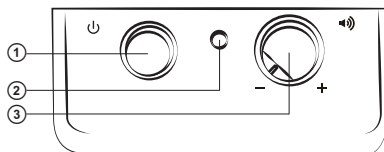


Fig. 1. Active speaker control panel

### Control panel

- ① ⏻ : power switch button  
② Power LED

- ③ 🔊 -/+ : volume control knob

## 5. PREPARATION AND OPERATION

### Speaker placement

- Place the speakers symmetrically to the listener at least one meter away. The subwoofer emits non-directional sound, therefore it can be located in any place of the room where it sounds the best.
- Place MSS far away from monitors and TV sets, as insignificant image distortion in these super-sensitive devices is possible.

### Installation and operation

MS-100 Multimedia Speaker System can be connected to virtually any audio source: DVD/CD, PC sound card, etc. (see Fig. 2).

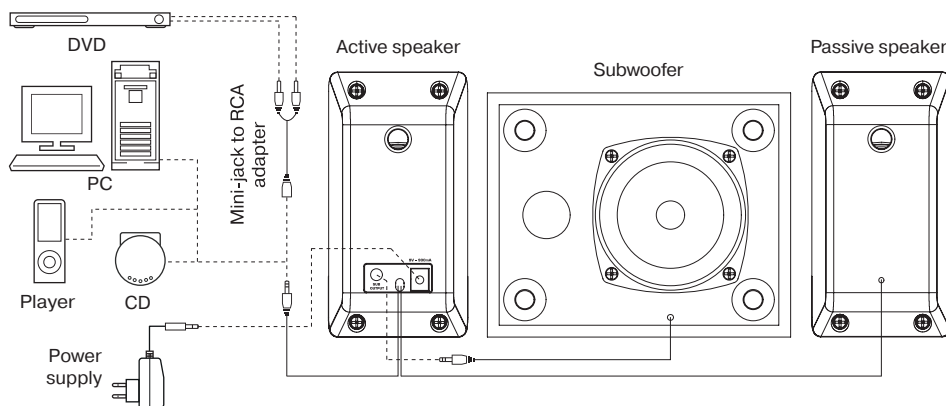


Fig. 2. Connection diagram

- Before making any connections, make sure that the MSS is switched off. Then connect the audio cable built into the subwoofer to SUB OUTPUT on the active speaker rear panel (see Fig. 2).
- Insert the mini-jack ( $\varnothing$  3.5 mm) of the signal cable built into the active speaker into the LINE OUT port of the PC sound card or OUTPUT of the MP3/CD-player (see diagram above).
- Insert the mini-jack of the MSS power supply cable (included) to the active speaker 9V – 900mA port, as shown in Fig. 2, and insert the MSS power supply plug into the mains socket.

**Note. To connect the MSS to a CD/DVD player/TV, use the signal cable built into the active speaker with a mini-jack to 2RCA adapter (not included).**

- Adjust the volume control knob ③ on the active speaker front panel to its minimum.
- Switch on the MSS with the power switch button ①. The power LED ② lights up. Then turn on an audio source and adjust the MSS volume level with the volume control knob ③. When you turn the knob clockwise, volume level increases, but when you turn it counterclockwise, it reduces.
- MS-100 model can be also used as a 2.0 speaker system. The connection diagram, settings and adjustments are the same, but without connecting the subwoofer.

**Note. If the MSS is left unused for a long time, mind to switch off the device by using ① On/ Off switch on the active speaker front panel and unplug it. To improve the sound quality, use the Line-Out output of your sound card.**

## 6. TROUBLESHOOTING

Problem	Cause	Solution
The MSS does not turn on.	The MSS isn't connected to mains outlet.	Check the connection.
	The power switch is off.	Turn on the switch.
No sound.	Volume level is set at its minimum value.	Adjust the volume control knob.
	The audio source is mproperly connected.	Connect audio sources correctly.
There is too quiet sound of speakers.	Volume level is set at its minimum value.	Adjust the volume control knob.
Distortion of sound.	Large amplitude of the input signal.	Turn down the source volume and MSS volume

If none of the above mentioned solutions removes the problem, please consult a qualified specialist at your nearest authorized service center. Never try to repair the device on your own.

## 7. TECHNICAL SPECIFICATIONS

Parameter, measurement unit	Value
Output power (RMS), W subwoofer satellites	8 (4 + 2 × 2) 4 2 × 2
Frequency range, Hz	65 – 250 (sub.), 250 – 18000 (sat.)
S/N ratio, dB	≥ 65
Speaker diameter (subwoofer + satellites), mm	Ø 75 + Ø 50
Power supply, V / Hz	~220/50
Dimensions (one speaker), mm subwoofer satellites	124 × 176 × 154 70 × 135 × 80
Weight, kg	1.6

### Notes:

- **Technical specifications given in this table are supplemental information and cannot give occasion to claims.**
- **Technical specifications and package contents are subject to change without notice due to the improvement of SVEN production.**

## 2.1 Multimedia Speaker System

**SVEN**®  
YOU WANT – WE CAN



Модель: **MS-100**

Импортер в России: ООО «СКАНДИТРЕЛ», 111024, РФ, г. Москва, ул. Авиамоторная, д. 65, стр. 1.

Уполномоченная организация в России: ООО «РТ-Ф», 105082, г. Москва, ул. Фридриха Энгельса, д. 75, стр. 5.

Условия гарантийного обслуживания смотрите в гарантийном талоне или на сайте **www.sven.fi**.

Гарантийный срок: 12 мес.

Срок службы: 5 лет.

Производитель: «СВЕН ПТЕ. Лимитед», 176 Джу Чиат Роуд, № 02-02, Сингапур, 427447.

Произведено под контролем «Свен Скандинавия Лимитед», 48310, Финляндия, Котка, Котolahdentie, 15. Сделано в Китае.

Manufacturer: SVEN PTE. LTD, 176 Joo Chiat Road, № 02-02, Singapore, 427447. Produced under the control of Oy Sven Scandinavia Ltd. 15, Kotolahdentie, Kotka, Finland, 48310. Made in China.

© Registered Trademark of Oy SVEN Scandinavia Ltd. Finland.

**MS-100**