

SVEN®
YOU WANT – WE CAN

2.1 Multimedia Speaker System

OPERATION MANUAL



MS – 1000

www.sven.fi

Congratulations on your purchase of the Sven speaker system!**COPYRIGHT**

© 2014. SVEN PTE. LTD. Version 1.0 (V 1.0).

This Manual and information contained in it are copyrighted. All rights reserved.

TRADEMARKS

All trademarks are the property of their legal holders.

NOTICE OF RESPONSIBILITY RESTRICTION

Despite the exerted efforts to make this Manual more exact, some discrepancies may occur. The information in this Manual is given on «as is» terms. The author and the publisher do not bear any liability to a person or an organization for loss or damage which has arisen from the information contained in this Manual.

CONTENTS

1. BUYER RECOMMENDATIONS	1
2. PACKAGE CONTENTS.....	2
3. SAFETY PRECAUTIONS	2
4. TECHNICAL DESCRIPTION	2
5. PREPARATION AND OPERATION	3
6. TROUBLESHOOTING.....	5
7. TECHNICAL SPECIFICATIONS	6

1. BUYER RECOMMENDATIONS

- Unpack the device carefully. Make sure there are no accessories left in the box. Check up the device for damage; if the product was damaged during transportation, address the firm which carried out the delivery; if the product functions incorrectly, address the dealer at once.
- Check up the package contents and availability of the warranty card. Make sure the warranty card has a shop stamp, a legible signature or the seller's stamp and purchase date, and the goods number corresponds to that in the warranty card.
- Do not switch on the speaker system immediately after you bring it into a room from environment with negative temperature! After unpacking, the speaker system should be kept in conditions of room temperature for at least 4 hours.
- Before installing and using the speaker system, read this Manual carefully and keep it for future reference.

2. PACKAGE CONTENTS

- Subwoofer – 1 pc
- Satellites – 2 pcs
- Signal cable 2RCA to mini-jack Ø 3.5 mm – 1 pc
- Operation manual – 1 pc
- Warranty card – 1 pc

3. SAFETY PRECAUTIONS



Caution! High voltage inside! To avoid the risk of electric shock do not open or touch elements inside.

- To avoid electric shock, do not open the MSS and do not perform repairs by yourself. Service and repairs should be performed only by qualified specialists in an authorized service center. The list of authorized service centers is available on www.sven.fi
- Do not allow the circuit of wires (including the grounded ones) between the speakers, on the power amplifier or the ground, for it causes damage to the power amplifier output stage.
- Do not touch the MSS power cord plug pins for 2 seconds after unplugging it from the mains.
- Disconnect the MSS from the mains system during a fuse replacement. Use fuses of the same type and rated value. Do not use hand-made fuses.
- Do not put foreign objects inside the holes of the MSS.
- Protect the MSS from high humidity, water and dust.
- Protect the MSS from heating: do not place it closer than 1 m from a heat source. Do not expose it to direct sunlight.
- Do not place any open flame sources on or close to MSS.
- Do not place the MSS in poorly ventilated areas. Leave an air gap of 10 cm or more. When operating the MSS, do not put any devices on it, do not cover it with cloth or other objects preventing it from cooling.
- Do not use any chemical agents for cleaning. Clean it with dry soft cloth only.

4. TECHNICAL DESCRIPTION

MMS-1000 Multimedia Speaker System 2.1 (MSS) is designed to play music and sound games, movies etc. MSS has built-in power amplifier, acoustic cables built into satellites and signal cable due to which it can be connected to virtually any audio source (CD/DVD-player, TV, PC, etc.) without using additional power amplifier.

Special features

- Speaker system is compatible with PCs, DVD/Media-players, mobile devices and other sound sources
- Control knobs on the subwoofer side panel
- Master volume control
- Separate subwoofer volume control and treble control
- Magnetic shielding
- MDF subwoofer cabinet

Operation Manual

MS-1000

Subwoofer side panel

- ① POWER: power switch
- ② BASS: subwoofer volume control knob
- ③ TREBLE: treble level control knob
- ④ VOLUME: master volume control knob
- ⑤ Phase inverter

Subwoofer rear panel

- ⑥ INPUT: audio source inputs
- ⑦ OUTPUT: speaker outputs
- ⑧ Power cord

5. PREPARATION AND OPERATION

Speaker placement

- Place speakers symmetrically to the listener at the distance no less than one meter. Subwoofer emits non-directional sound, therefore it can be located in any place of the room, where it will sound to the best advantage.

- Place MSS far away from monitors and TV sets, as insignificant image distortion in these super-sensitive devices is possible.

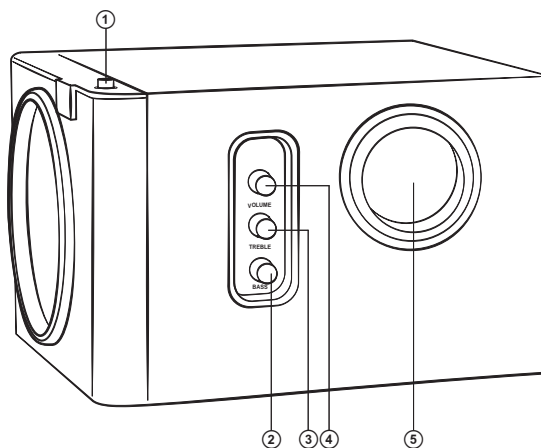


Fig. 1. Subwoofer side panel

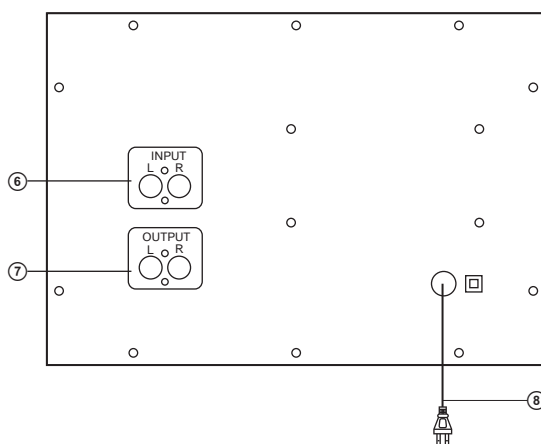


Fig. 2. Subwoofer rear panel

MSS connecting and control

MS-1000 Multimedia Speaker System can be connected to virtually any audio source: DVD/CD, PC sound card, etc. (see Fig. 3 below).

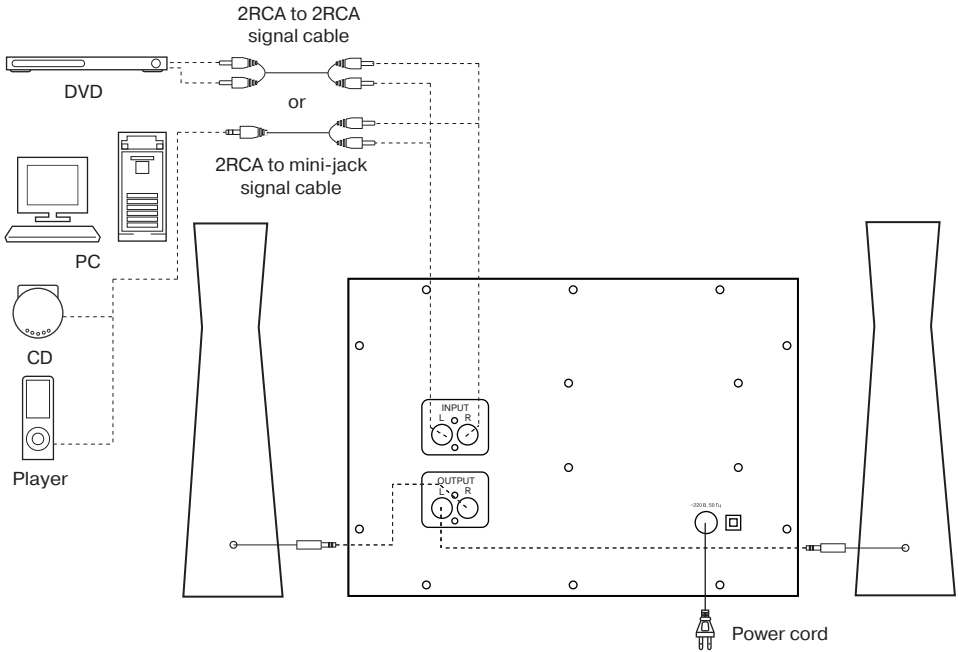


Fig. 3. Connection diagram

Note! Before connecting, make sure that the device is unplugged.

- Connect acoustic cables built into speakers into OUTPUT ⑦ of subwoofer rear panel (Fig. 2): left speaker to white color output L, right speaker to red color output R.
- Insert RCA-jack of signal cable (included) into subwoofer INPUT ⑥ and opposite mini-jack of signal cable connect into LINE OUT port of PC sound card or OUTPUT of MP3/CD-player (see Fig. 3). To connect MSS to DVD-player or TV use stereo signal cables 2RCA to 2RCA (not included).
- Insert plug of power cord ⑧ on the rear panel of subwoofer into the socket (see Fig. 2).
- Adjust master volume level to its minimum by turning VOLUME control knob ④ counterclockwise until it stops.
- Shift POWER switch ① (see Fig. 1).
- Switch on the audio source and adjust master volume level by turning VOLUME control knob ④ on the side panel of subwoofer. While turning the knob clockwise, volume level increases, but while turning it counterclockwise, it reduces.

- Adjust subwoofer volume level and tremble control by turning BASS ② and TREBLE ③ control knobs accordingly. While turning the knob clockwise, volume level increases, but while turning it counterclockwise, it reduces.

Notes:

- **If speaker system has not been used for a long time, please mind to switch off POWER ① on subwoofer rear panel and pull out its plug ④ from the socket.**
- **To improve sound quality, use Line-Out output of sound card.**

6. TROUBLESHOOTING

Problem	Cause	Solution
MSS does not turn on.	MSS is not connected to the mains outlet.	Check the connection.
	Power switch is off.	Turn on the switch.
No sound.	Volume level is set at minimum value.	Adjust volume control knob.
	Improperly connected audio source.	Connect audio sources correctly.
There is too quiet sound of speakers.	Volume level is set at minimum value.	Adjust volume control knob.
Distortion of sound.	Large amplitude of the input signal.	Turn down source volume and MSS volume.
Sound is produced by one of the channels only.	Improperly connected speakers to audio source.	Check the connection of speakers.

If none of the above mentioned solutions solves the problem, please refer to nearest authorized service center for consultation by a qualified specialist. Never try to repair the device on your own.

7. TECHNICAL SPECIFICATIONS

Parameter, measurement unit	Value
Output power (RMS), W	60 (30 + 2 × 15)
Frequency range, Hz: subwoofer satellites	40 – 200 200 – 20 000
Speaker diameter, mm: subwoofer satellites	Ø 133 50 × 90 + Ø 20
Power supply, V/Hz	~220/50
Dimensions (W × H × D), mm: subwoofer one satellite	295 × 195 × 265 77 × 280 × 75
Weight, kg	6.25

Notes:

- *Technical specifications given in this table are supplemental information and cannot give occasion to claims.*
- *Technical specifications are subject to change without notice due to improvement of SVEN production.*

2.1 Multimedia Speaker System

SVEN®
YOU WANT – WE CAN



Модель: **MS-1000**

Импортер в России: ООО «СКАНДИТРЕЛ»,
111024, РФ, г. Москва, ул. Авиамоторная, д. 65, стр. 1.

Уполномоченная организация в России: ООО «РТ-Ф»,
105082, г. Москва, ул. Фридриха Энгельса, д. 75, стр. 5.

Условия гарантийного обслуживания смотрите

в гарантийном талоне или на сайте **www.sven.fi**

Гарантийный срок: 12 мес. Срок службы: 5 лет.

Производитель: «СВЕН ПТЕ. Лимитед», 176

Джу Чиаг Роуд, № 02-02, Сингапур, 427447.

Произведено под контролем «Свен Скандинавия
Лимитед», 48310, Финляндия, Котка, Котолахдентие,
15. Сделано в Китае.

Manufacturer: SVEN PTE. LTD., 176 Joo Chiat Road,
№ 02-02, Singapore, 427447. Produced under the
control of Oy Sven Scandinavia Ltd. 15, Kotolahdentie,
Kotka, Finland, 48310. Made in China.

© Registered Trademark of Oy SVEN
Scandinavia Ltd. Finland.

MS – 1000