

SVEN[®]

2.0 Multimedia USB
Speaker System

OPERATION MANUAL



SVEN 470

www.sven.fi

Congratulations on your purchase of the Sven speaker system!

COPYRIGHT

© 2017, SVEN PTE. LTD. Version 1.0 (V 1.0).

This Manual and information contained in it are copyrighted. All rights reserved.

TRADEMARKS

All trademarks are the property of their legal holders.

NOTICE OF RESPONSIBILITY RESTRICTION

Despite the exerted efforts to make this Manual more exact, some discrepancies may occur. The information in this Manual is given on "as is" terms. The author and the publisher do not bear any liability to a person or an organization for loss or damage which has arisen from the information contained in this Manual.

CONTENTS

1. BUYER RECOMMENDATIONS	2
2. PACKAGE CONTENTS	3
3. SAFETY PRECAUTIONS	3
4. TECHNICAL DESCRIPTION	3
5. PREPARATION AND OPERATION	4
6. TROUBLESHOOTING	5
7. TECHNICAL SPECIFICATIONS	6

1. BUYER RECOMMENDATIONS

- Unpack the device carefully. Make sure there are no accessories left in the box. Check up the device for damage; if the product was damaged during transportation, address the firm which carried out the delivery; if the product functions incorrectly, address the dealer at once.
- Check up the package contents and availability of the warranty card. Make sure the warranty card has a shop stamp, a legible signature or the seller's stamp and purchase date, and the goods number corresponds to that in the warranty card. Remember: in case of warranty card loss or discrepancy of numbers you forfeit the right for warranty repairs.
- Do not switch on the speaker system immediately after you bring it into a room from environment with negative temperature! After unpacking, the speaker system should be kept in conditions of room temperature for at least 4 hours.
- Before installing and using the speaker system, read this Manual carefully and keep it for future reference.
- Shipping and transportation equipment is permitted only in the original container.
- Does not require special conditions for realization.
- Dispose of in accordance with regulations for the disposal of household and computer equipment.

Technical support is on www.sven.fi.

2. PACKAGE CONTENTS

- Speaker System – 1 pc
- Operation Manual – 1 pc
- Warranty card – 1 pc

3. SAFETY PRECAUTIONS

- Do not open the MSS and do not perform repairs by yourself. Service and repairs should be performed only by qualified specialists at authorized service centers. The list of authorized service centers is on www.sven.fi.
- Do not allow the circuit of wires (including the grounded ones) between the speakers, on the power amplifier or the ground, for it causes damage to the power amplifier output stage.
- Make sure that foreign objects do not get inside the holes of the MSS.
- Protect the MSS from high humidity, water and dust.
- Protect the MSS from heating: do not place it closer than 1 m from a heat source. Do not expose it to direct sunlight.
- Do not use any chemical agents for cleaning. Clean it with dry soft cloth only.
- If the MSS does not operate, unplug it and address your dealer.




4. TECHNICAL DESCRIPTION

SVEN 470 2.0 USB Multimedia Speaker System (MSS) is designed to play music and sound games, movies, etc. The MSS has a built-in audio and signal cables enabling to connect it to a PC, laptop, MP3 player and other audio devices. The MSS is powered via a PC or laptop USB port, or via a 5V DC power supply with the built-in USB power cable. The speaker with an audio input and a control panel is named the active one.

MSS special features

- Powered via a USB port
- Volume control
- Headphone and microphone jacks
- ABS plastic speaker system cabinet

Control panel

- ① : headphone jack
- ② : microphone jack
- ③ : Power knob; volume control knob

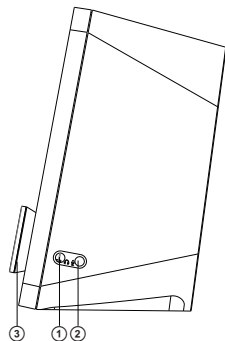


Fig. 1. Control panel

5. PREPARATION AND OPERATION**Speaker placement**

- Place the speakers symmetrically to the listener at least one meter away.
- Place MSS far away from monitors and TV sets, as insignificant image distortion in these supersensitive devices is possible.

MSS Connecting

SVEN 470 2.0 USB Multimedia Speaker System can be connected to virtually any audio source: MP3 player, PC sound card, etc. (see connection diagram, Fig. 2).

- Before making any connections, make sure that the MSS power supply is disconnected. Plug the built-in 3.5 mm mini-jack signal cables: connect the audio cable (green mini-jack) to the audio output jack of your sound source and the microphone cable (pink mini-jack) – to the microphone jack (see connection diagram, Fig. 2).
- Connect the built-in USB power cable to a USB port of your PC, laptop or to a 5V DC power supply (not included).
- Set the master volume level to its minimum by turning the control knob Ⓢ counterclockwise until it clicks and stops.

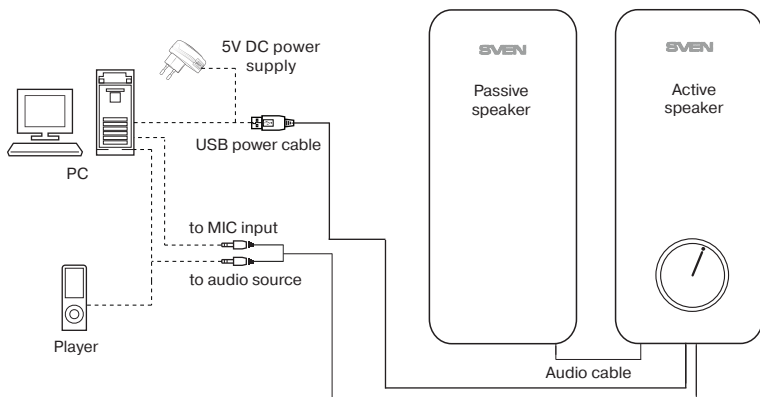


Fig. 2. Connection diagram

- Turn on your audio source.
- Adjust the master volume level by turning the control knob ③. To increase the volume, turn the knob clockwise; to reduce it, turn the knob counterclockwise.
- Plug your microphone into the microphone jack ②, and your headphones into the headphone jack ①.

Notes:

- *After finishing using the MSS, mind to switch it off.*
- *To improve the sound quality, use the Line-Out output of your sound card.*

6. TROUBLESHOOTING

Problem	Cause	Solution
The MSS does not turn on.	The MSS isn't connected to a mains outlet.	Check the connection.
No sound.	The volume level is set at minimum value.	Adjust the volume control knob.
	Improperly connected audio source.	Connect audio source correctly.
There is too quiet sound of speakers.	The volume level is set at minimum value.	Adjust the volume control knob.
Distortion of sound.	Large amplitude of the input signal.	Turn down the source volume and MSS volume.

If none of the above methods can solve the problem, please seek professional advice at your nearest service center. Never attempt to repair the product yourself.

7. TECHNICAL SPECIFICATIONS

Parameter, measurement unit	Value
Output power (RMS), W	12 (2 × 6)
Frequency response, Hz	80 – 20,000
Speaker diameter, mm	Ø 35 + Ø 70
Power supply, V	USB/DC 5 V
Dimensions (one speaker) (W × H × D), mm	88 × 200 × 115
Weight, kg	1.35

Notes:

- *Technical specifications given in this table are supplemental information and cannot give occasion to claims.*
- *Technical specifications and package contents are subject to change without notice due to the improvement of SVEN production.*

2.0 USB Multimedia Speaker System

SVEN®



Model: SVEN 470

Импортер в России: ООО «РЕГАРД», 109052, РФ,
г. Москва, ул. Нижегородская, д. 86, корп. Б.

Уполномоченная организация в России: ООО «РТ-Ф»,
105082, г. Москва, ул. Фридриха Энгельса, д. 75, стр. 5.

Условия гарантийного обслуживания смотрите
в гарантийном талоне или на сайте **www.sven.fi**.

Гарантийный срок: 12 мес.

Срок службы: 2 года.

Производитель: «СВЕН ПТЕ. Лимитед»,
176 Джу Чиаг Роуд, № 02-02, Сингапур, 427447.

Произведено под контролем «Свен Скандинавия
Лимитед», 48310, Финляндия, Котка,
Котлахдентие, 15. Сделано в Китае.

Manufacturer: SVEN PTE. LTD, 176 Joo Chiat Road,
№ 02-02, Singapore, 427447. Produced under the control of
Oy Sven Scandinavia Ltd. 15, Kotolahdentie, Kotka,
Finland, 48310. Made in China.

® Registered Trademark of Oy SVEN
Scandinavia Ltd. Finland.



SVEN 470