

SVEN®
YOU WANT – WE CAN

2.0 Multimedia Speaker System

OPERATION MANUAL



SPS-612
SPS-625
SPS-635

www.sven.fi

Congratulations on your purchase of the Sven speaker system!**COPYRIGHT**

© 2016. SVEN PTE. LTD. Version 1.0 (V 1.0).

This Manual and information contained in it are copyrighted. All rights reserved.

TRADEMARKS

All trademarks are the property of their legal holders.

NOTICE OF RESPONSIBILITY RESTRICTION

Despite the exerted efforts to make this Manual more exact, some discrepancies may occur. The information in this Manual is given on «as is» terms. The author and the publisher do not bear any liability to a person or an organization for loss or damage which has arisen from the information contained in this Manual.

CONTENTS

1. BUYER RECOMMENDATIONS	1
2. PACKAGE CONTENTS.....	2
3. SAFETY PRECAUTIONS	2
4. TECHNICAL DESCRIPTION	2
5. PREPARATION AND OPERATION	3
6. TROUBLESHOOTING.....	4
7. TECHNICAL SPECIFICATIONS	5

1. BUYER RECOMMENDATIONS

- Unpack the device carefully. Make sure there are no accessories left in the box. Check up the device for damage; if the product was damaged during transportation, address the firm which carried out the delivery; if the product functions incorrectly, address the dealer at once.
- Check up the package contents and availability of the warranty card. Make sure the warranty card has a shop stamp, a legible signature or the seller's stamp and purchase date, and the goods number corresponds to that in the warranty card. Remember: in case of warranty card loss or discrepancy of numbers you forfeit the right for warranty repairs.
- Do not switch on the speaker system immediately after you bring it into a room from environment with negative temperature! After unpacking, the speaker system should be kept in conditions of room temperature for at least 4 hours.
- Before installing and using the speaker system, read this Manual carefully and keep it for future reference.

Technical support is on www.sven.fi.

2. PACKAGE CONTENTS

- Speakers — 2 pcs
- 2RCA to mini-jack (Ø 3.5 mm) stereo signal cable — 1 pc
- Audio cable — 1 pc
- Operation manual — 1 pc
- Warranty card — 1 pc

3. SAFETY PRECAUTIONS



Caution! High voltage inside! To avoid the risk of electric shock do not open or touch elements inside.

- To avoid electric shock, do not open the MSS and do not perform repairs by yourself. Service and repairs should be performed only by qualified specialists in an authorized service center. The list of authorized service centers is available on www.sven.fi
- Do not allow the circuit of wires (including the grounded ones) between the speakers, on the power amplifier or the ground, for it causes damage to the power amplifier output stage.
- Do not touch the MSS power cord plug pins for 2 seconds after unplugging it from the mains.
- Do not put foreign objects inside the holes of the MSS.
- Protect the MSS from high humidity, water and dust.
- Protect the MSS from heating: do not place it closer than 1 m from a heat source. Do not expose it to direct sunlight.
- Do not place any open flame sources on or close to MSS.
- Do not place the MSS in poorly ventilated areas. Leave an air gap of 10 cm or more. When operating the MSS, do not put any devices on it, do not cover it with cloth or other objects preventing it from cooling.
- Do not use any chemical agents for cleaning. Clean it with dry soft cloth only.

4. TECHNICAL DESCRIPTION

SPS-612/SPS-625/SPS-635 2.0 Multimedia Speaker Systems (MSS) are designed to play music and sound games, movies, etc. The MSS has a built-in transformer power supply allowing to connect it to virtually any audio source (CD/DVD-player, TV, PC, etc.). The speaker with an audio input and a control panel is named the active one.

Special features

- Speaker system is compatible with PCs, DVD/Media-players, mobile devices and other sound sources
- Control knobs on the active speaker side panel
- Smooth timbre control
- Headphone jack
- MDF speaker cabinets

Operation Manual

Control panel

- ① VOLUME: volume control knob
- ② TREBLE: treble control knob
- ③ BASS: bass control knob
- ④ Headphone jack

5. PREPARATION AND OPERATION

Speaker placement

- Place the speakers symmetrically to the listener at least one meter away.
- Place MSS far away from monitors and TV sets, as insignificant image distortion in these supersensitive devices is possible.

MSS Connecting

SPS-612/SPS-625/SPS-635 Multimedia Speaker Systems can be connected to virtually any audio source: DVD/CD, PC sound card, etc. (see connection diagram in Fig. 2).

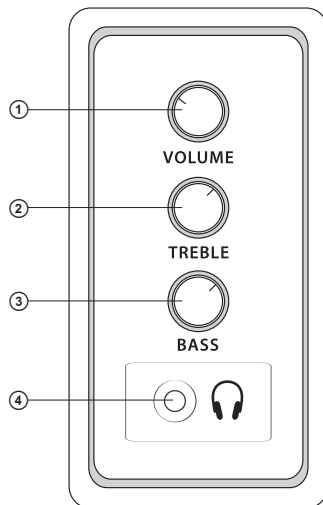


Fig. 1. Control panel

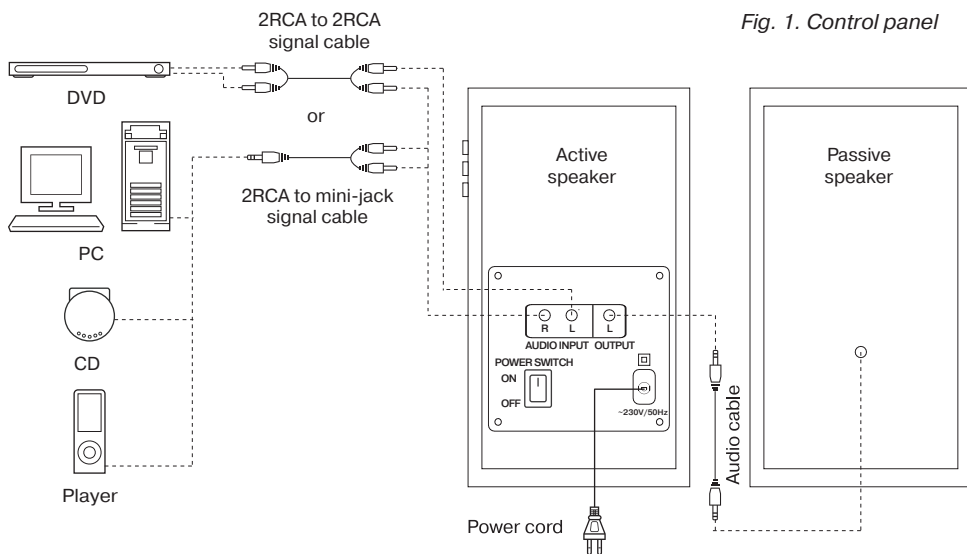


Fig. 2. Connection diagram

- Plug the RCA connectors of the 2RCA to 3.5 mm mini-jack stereo signal cable (included) into the AUDIO INPUT L/R input, and the 3.5 mm mini-jack of the signal cable – into the output of your PC sound card or an audio output of another sound source, as shown in Fig. 2.

Note:

- **To connect the MSS to a CD/DVD/MP3 player or TV, use the 2RCA to 3.5 mm mini-jack stereo signal cable (included) with a mini-jack to 2RCA adapter (not included) or a 2RCA to 2RCA stereo signal cable (not included), as shown in Fig. 2.**

- Plug the power cord into a mains outlet. Set the master volume level to the minimum by turning the VOLUME control knob ① counterclockwise until it stops.
- Switch on power supply by ON/OFF switch on the active speaker rear panel.
- Turn on your audio source.
- Adjust the volume level by turning the VOLUME control knob ①. By turning the knob clockwise, you increase volume level; by turning the knob counterclockwise, you reduce it.
- Adjust the treble and bass levels by turning the TREBLE control knob ② and BASS control knob ③ respectively. By turning the knobs clockwise, you increase the treble/bass level; by turning the knobs counterclockwise, you reduce it.
- Connect your headphones to the headphone jack ④ (see Fig. 1).

Note:

- **After using the MSS, mind to switch it off on the active speaker rear panel by ON/OFF switch, and unplug the power cord.**

6. TROUBLESHOOTING

Problem	Cause	Solution
The MSS does not turn on.	The MSS isn't connected to a mains outlet.	Check the connection.
	The power switch is off.	Turn on the switch.
No sound.	The volume level is set at minimum value.	Adjust the volume control knob.
	Improperly connected audio source.	Connect audio sources correctly.
There is too quiet sound of speakers.	The volume level is set at minimum value.	Adjust the volume control knob.
Distortion of sound.	Large amplitude of the input signal.	Turn down the source volume and MSS volume.

If none of the above methods can solve the problem, please seek professional advice at your nearest service center. Never attempt to repair the product yourself.

7. TECHNICAL SPECIFICATIONS

Parameter, measurement unit	Value	
	SPS-612	SPS-625/SPS-635
Output power (RMS), W	40 (2 × 20)	40 (2 × 20)
Frequency range, Hz	40 – 20,000	40 – 22,000
Speaker diameter, mm		
tweeter	Ø 25	Ø 25
woofer	Ø 100	Ø 100
Power supply, V/Hz	~230/50	~230/50
Dimensions (one speaker) (W × H × D), mm	150 × 263 × 172	150 × 263 × 172
Weight, kg	5.05	5.05

Notes:

- **Technical specifications given in this table are supplemental information and cannot give occasion to claims.**
- **Technical specifications and package contents are subject to change without notice due to the improvement of SVEN production.**

2.0 Multimedia Speaker System

SVEN®
YOU WANT – WE CAN



Модели: **SPS-612/SPS-625/SPS-635**

Импортер в России: ООО «РЕГАРД», 109052,
РФ, г. Москва, ул. Нижегородская, д. 86, корп. Б.
Уполномоченная организация в России: ООО «РТ-Ф»,
105082, г. Москва, ул. Фридриха Энгельса, д. 75, стр. 5.

Условия гарантийного обслуживания смотрите
в гарантийном талоне или на сайте **www.sven.fi**.

Гарантийный срок: 12 мес.

Срок службы: 5 лет.

Производитель: «СВЕН ПТЕ. Лимитед»,
176 Джу Чиат Роуд, № 02-02, Сингапур, 427447.

Произведено под контролем «Свен Скандинавия
Лимитед», 48310, Финляндия, Котка,
Котлахентие, 15. Сделано в Китае.

Manufacturer: SVEN PTE. LTD, 176 Joo Chiat Road,
№ 02-02, Singapore, 427447. Produced under the
control of Oy Sven Scandinavia Ltd. 15, Kotolahdentie,
Kotka, Finland, 48310. Made in China.

© Registered Trademark of Oy SVEN
Scandinavia Ltd. Finland.



SPS-612
SPS-625
SPS-635