

SVEN[®]
YOU WANT – WE CAN

2.0 Multimedia Speaker
System with Bluetooth

OPERATION MANUAL



SPS-615

www.sven.fi

Congratulations on your purchase of the Sven speaker system!

COPYRIGHT

© 2016. SVEN PTE. LTD. Version 1.0 (V 1.0).

This Manual and information contained in it are copyrighted. All rights reserved.

TRADEMARKS

All trademarks are the property of their legal holders.

NOTICE OF RESPONSIBILITY RESTRICTION

Despite the exerted efforts to make this Manual more exact, some discrepancies may occur. The information in this Manual is given on “as is” terms. The author and the publisher do not bear any liability to a person or an organization for loss or damage which has arisen from the information contained in this Manual.

CONTENTS

1. BUYER RECOMMENDATIONS	1
2. PACKAGE CONTENTS	2
3. SAFETY PRECAUTIONS	2
4. TECHNICAL DESCRIPTION	2
5. PREPARATION AND OPERATION	4
6. TROUBLESHOOTING	7
7. TECHNICAL SPECIFICATIONS	7

1. BUYER RECOMMENDATIONS

- Unpack the device carefully. Make sure there are no accessories left in the box. Check up the device for damage; if the product was damaged during transportation, address the firm which carried out the delivery; if the product functions incorrectly, address the dealer at once.
- Check up the package contents and availability of the warranty card. Make sure the warranty card has a shop stamp, a legible signature or the seller’s stamp and purchase date, and the goods number corresponds to that in the warranty card. Remember: in case of warranty card loss or discrepancy of numbers you forfeit the right for warranty repairs.
- Do not switch on the speaker system immediately after you bring it into a room from environment with negative temperature! After unpacking, the speaker system should be kept in conditions of room temperature for at least 4 hours.
- Before installing and using the speaker system, read this Manual carefully and keep it for future reference.

Technical support is on www.sven.fi.

2. PACKAGE CONTENTS

- Speakers – 2 pcs
- 2RCA to mini-jack signal cable – 1 pc
- Remote control – 1 pc
- Operation manual – 1 pc
- Warranty card – 1 pc

3. SAFETY PRECAUTIONS



Caution! High voltage inside! To avoid the risk of electric shock do not open or touch elements inside.

- To avoid electric shock, do not open the MSS and do not perform repairs by yourself. Service and repairs should be performed only by qualified specialists in an authorized service center. The list of authorized service centers is available on www.sven.fi.
- Do not allow the circuit of wires (including the grounded ones) between the speakers, on the power amplifier or the ground, for it causes damage to the power amplifier output stage.
- Do not touch the MSS power cord plug pins for 2 seconds after unplugging it from the mains.
- Do not put foreign objects inside the holes of the MSS.
- Protect the MSS from high humidity, water and dust.
- Protect the MSS from heating: do not place it closer than 1 m from a heat source. Do not expose it to direct sunlight.
- Do not place any open flame sources on or close to MSS.
- Do not place the MSS in poorly ventilated areas. Leave an air gap of 10 cm or more. When operating the MSS, do not put any devices on it, do not cover it with cloth or other objects preventing it from cooling.
- Do not use any chemical agents for cleaning. Clean it with dry soft cloth only.

4. TECHNICAL DESCRIPTION

SPS-615 Multimedia Speaker System with Bluetooth (MSS) are designed to play music and sound games, movies, etc. The MSS has a built-in power amplifier allowing to connect it to virtually any audio source (CD/DVD-players, TV set, PC, etc.). MSS has a built Bluetooth wireless signal transmission protocol. Remote control (RC) is included.

Special features

- Bluetooth wireless signal transmission protocol
- Built-in player for audio files from USB flash port and SD card slot
- Headphone input
- Remote control
- MDF speaker cabinets

Active speaker panels

- ① Mode indicators
- ② MUTE: mute button
- ③ INPUT: audio source selection button: BT / AUX / Player
- ④ : Play / Pause (Player and Bluetooth modes)
- ⑤ /VOL+ : next track (Player and Bluetooth modes) / volume up button (long press)
- ⑥ /VOL- : previous track (Player and Bluetooth modes) / volume down button (long press)
- ⑦ AUX: AUX input
- ⑧ BASS: bass level up/down control knob
- ⑨ OUTPUT: output jack for passive speaker connection
- ⑩ TREBLE: treble level up/down control knob
- ⑪ POWER ON/OFF: power switch
- ⑫ Power cable

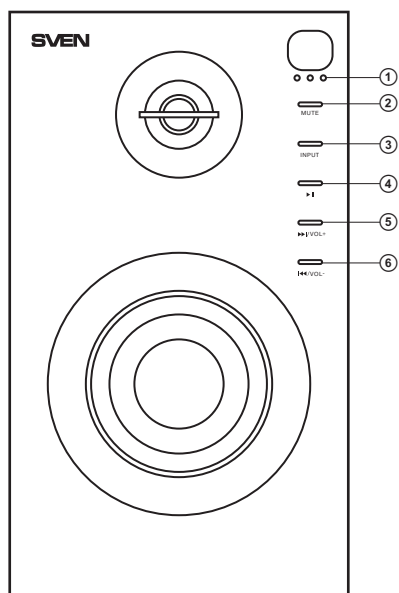


Fig. 1. Active speaker front panel

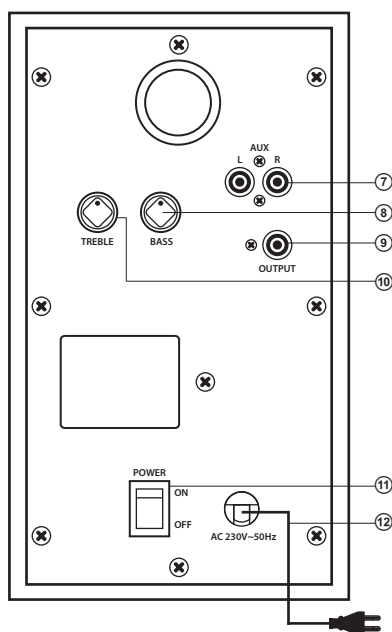


Fig. 2. Active speaker rear panel

- ⑬ SD: slot for SD cards containing MP3 audio files
- ⑭ USB: port for connecting a USB flash drive containing MP3 audio files
- ⑮ : Headphone input

Remote control (Fig. 4)

- ① CONNECT: start the Search mode (previously installed Bluetooth-connection is off)
- ② : ON/OFF power switch button (Standby mode)
- ③ BT: Bluetooth mode selection button
- ④ AUX: AUX selection button
- ⑤ VOL +/-: volume up/down button
- ⑥ / : previous track/next track (Player and Bluetooth modes)
- ⑦ : track replay button (Player and Bluetooth modes)
- ⑧ : Mute button
- ⑨ USB/SD: selection between USB flash and SD card (Player mode)
- ⑩ : Play / Pause (Player and Bluetooth modes)
- ⑪ EQ: equalizer mode selection (Player mode only)

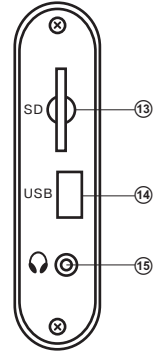


Fig. 3. Side panel

Notes:

- Before operating the RC, extract the battery, remove the film protecting the battery from discharge during transportation, and insert the battery back into the RC.
- Use the remote control at an angle no more than 30 degrees, no more than 7 meters away from the IR receiver.
- Direct the RC at the IR receiver display on the control panel.
- If the RC isn't working, check the battery and replace the discharged battery with a new one.
- Remove the battery from the remote control if the device is left unused for a long period of time (more than a week).

5. PREPARATION AND OPERATION

Speaker placement

- Place the speakers symmetrically to the listener at least one meter away.
- Bass reflex ports are located at the rear panels of speaker cabinets, please locate the speakers about 20–30 cm away from the wall or any other obstacle.
- Place the speaker system far away from supersensitive monitors and TV sets, as insignificant image distortion in these devices is possible.

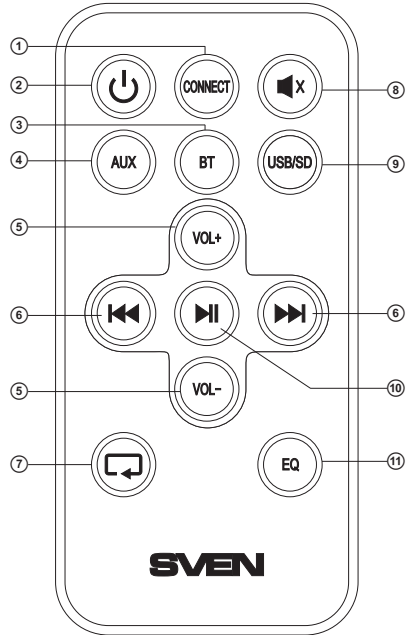


Fig. 4. Remote control

MSS connecting and control

SPS-615 Multimedia Speaker System can be connected to virtually any audio source: DVD/CD, PC sound card, etc. (see connection diagram in Fig. 5).

- Before making any connections, make sure that the MSS is unplugged. Connect the active speaker with the passive one using the audio cable.
- To connect the MSS to a PC, MP3/CD players, first plug the RCA jacks of the 2RCA to mini-jack \varnothing 3.5 mm signal cable (included) in the PC audio input ③ of the active speaker, then plug the mini-jack of the signal cable to the LINE OUT port of the computer sound card or to the audio OUTPUT of MP3/CD player terminals (see connection diagram in Fig. 5).

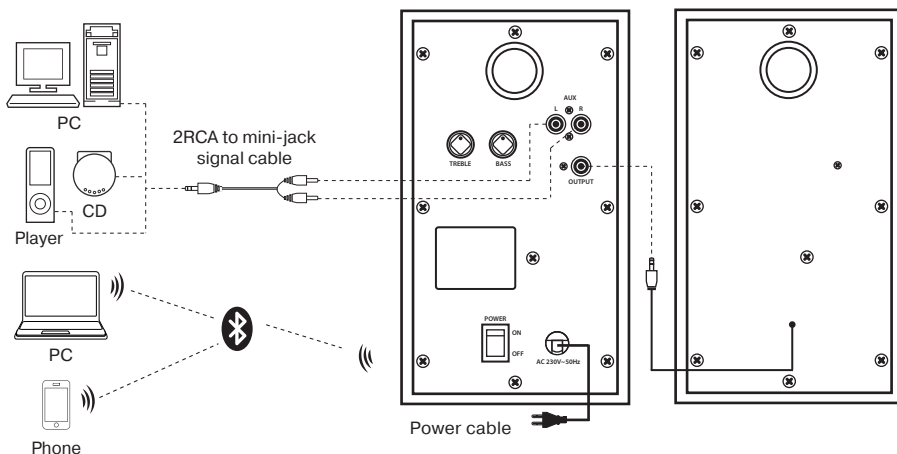


Fig. 5. Audio sources connection diagram

Note. Sound quality is directly affected by correctness and reliability of the connection of cables. It is recommended that cables included into the package contents of the MSS be used.

- Plug the MSS in a mains socket.
- Switch on the MSS by shifting the POWER switch ⑪ into the ON position on the active speaker rear panel. Then switch on an audio signal source.
- Select a desired signal source by pressing short the button INPUT ③ on the control panel or buttons BT ③, AUX ④ or USB/SD ⑤ on the remote control (RC), after that the LED of the selected input will illuminate on the control panel.
- Adjust the volume level with buttons VOL+/- ⑤/⑥ on the speaker control panel or with buttons VOL+/- ⑤ on the remote control (see Fig. 4).
- Adjust the treble and bass levels with knobs TREBLE ⑩ and BASS ⑧.

- After using the MSS, mind to switch it off with the ON/OFF switch ⑩ (OFF position) and unplug the power cable from the mains socket.

Bluetooth mode

- For the signal transmission in this mode it is necessary first to interconnect the MSS with a signal source. For this press the button CONNECT ① on the remote control to change the blue LEDs with a constant illumination to intermittent one. The MSS will go to the search mode. Then on the signal source (telephone, smartphone, etc.) choose the search mode of devices with Bluetooth. The name of the MSS “SPS-615” will be displayed on the signal source screen, with which you need to intercommunicate*. Select this device and the “connect” command.
- When connecting to the source it is possible to control the player with the remote control using the buttons ⑨, ⑩.

* If the MSS has been already listed in the device list of the signal source, then the second activation of the search mode is not required. Select only this device and the “connect” command. You might have to enter “0000” code to connect some models of devices via Bluetooth.

AUX mode

- Press the INPUT button ③ on the top pannel or button AUX ④ on the RC to turn on AUX mode. AUX selected input LED will illuminate on the control panel during the adjustment.

Player Mode

- The system will automatically enter the Player mode when a USB device is connected to the USB port or an SD card is inserted into the corresponding slot**; or press the INPUT ③ button on the front panel or the SD/USB ⑨ button on the remote control. The front panel will show the selected mode. The files will automatically start playing.
- In the Player mode, Equalizer feature is available. Available 6 presets.

** The MSS operation may be incorrect if an SD card of 512 Mb capacity or lower is used. If a USB flash device of 8 Gb capacity or more is used, command processing time may be extended.

ST-BY mode

- To enter/exit this mode, press button ② on the RC.

Mute mode

- To enter the MUTE mode, press button ⑧ on the remote control or button MUTE ② on the control panel. To exit the MUTE mode, press the button ⑧ on the remote control or button MUTE ② on the control panel again.

Note. The MSS control description can differ from the given one in this Operation Manual due to the constant improvement of the software. The last version of the Operation Manual see on www.sven.fi.

6. TROUBLESHOOTING

Problem	Cause	Solution
The MSS does not turn on.	The MSS isn't connected to a mains outlet.	Check the connection.
	The power switch is off.	Turn on the switch.
No sound or the sound is too quiet.	Volume level is set at minimum value.	Adjust the volume level.
	No connection via Bluetooth / wrong connection or selection of an audio signal source.	Fulfill the interconnection procedure via Bluetooth / connect or select an audio signal source correctly.
Distortion of sound.	Large amplitude of the input signal.	Turn down the source volume and the MSS volume.
The remote control is not working.	The battery is discharged.	Replace the battery with a new one.

If none of the above methods can solve the problem, please seek professional advice at your nearest service center. Never attempt to repair the product yourself.

7. TECHNICAL SPECIFICATIONS

Parameter, measurement unit	Value
Output power (RMS), W	20 (2 × 10)
Frequency range, Hz	60 – 20,000
Speaker diameter (tweeter + woofer), mm	Ø 25 + Ø 76
Bluetooth version	2.1 + EDR
Bluetooth operating range, m	till 10
Power supply, V/Hz	~230/50
Dimensions (one speaker) (W × H × D), mm	128 × 226 × 150
Weight, kg	2.85

Notes:

- **Technical specifications given in this table are supplemental information and cannot give occasion to claims.**
- **Technical specifications and package contents are subject to change without notice due to the improvement of SVEN production.**

2.0 Multimedia Speaker System with Bluetooth

SVEN®
YOU WANT – WE CAN



Модель: **SPS-615**

Импортер в России: ООО «РЕГАРД», 109052, РФ, г. Москва, ул. Нижегородская, д. 86, корп. Б.
Уполномоченная организация в России: ООО «РТ-Ф», 105082, г. Москва, ул. Фридриха Энгельса, д. 75, стр. 5.

Условия гарантийного обслуживания смотрите в гарантийном талоне или на сайте **www.sven.fi**.

Гарантийный срок: 12 мес.

Срок службы: 5 лет.

Производитель: «СВЕН ПТЕ. Лимитед», 176 Джу Чиаг Роуд, № 02-02, Сингапур, 427447.

Произведено под контролем «Свен Скандинавия Лимитед», 48310, Финляндия, Котка, Котлахдентие, 15. Сделано в Китае.

Manufacturer: SVEN PTE. LTD, 176 Joo Chiat Road, № 02-02, Singapore, 427447. Produced under the control of Oy Sven Scandinavia Ltd. 15, Kotolahdentie, Kotka, Finland, 48310. Made in China.

© Registered Trademark of Oy SVEN Scandinavia Ltd. Finland.



SPS-615