

SVEN[®]
YOU WANT – WE CAN

2.0 Multimedia Speaker System

OPERATION MANUAL



SPS-617

www.sven.fi

Congratulations on your purchase of the Sven speaker system!

COPYRIGHT

© 2014. SVEN PTE. LTD. Version 1.0 (V 1.0).

This Manual and information contained in it are copyrighted. All rights reserved.

TRADEMARKS

All trademarks are the property of their legal holders.

NOTICE OF RESPONSIBILITY RESTRICTION

Despite the exerted efforts to make this Manual more exact, some discrepancies may occur. The information in this Manual is given on “as is” terms. The author and the publisher do not bear any liability to a person or an organization for loss or damage which has arisen from the information contained in this Manual.

CONTENTS

1. BUYER RECOMMENDATIONS	1
2. PACKAGE CONTENTS.....	2
3. SAFETY PRECAUTIONS	2
4. TECHNICAL DESCRIPTION	2
5. PREPARATION AND OPERATION	3
6. TROUBLESHOOTING.....	5
7. TECHNICAL SPECIFICATIONS	5

1. BUYER RECOMMENDATIONS

- Unpack the device carefully. Make sure there are no accessories left in the box. Check up the device for damage; if the product was damaged during transportation, address the firm which carried out the delivery; if the product functions incorrectly, address the dealer at once.
- Check up the package contents and availability of the warranty card. Make sure the warranty card has a shop stamp, a legible signature or the seller’s stamp and purchase date, and the goods number corresponds to that in the warranty card. Remember: in case of warranty card loss or discrepancy of numbers you forfeit the right for warranty repairs.
- Do not switch on the speaker system immediately after you bring it into a room from environment with negative temperature! After unpacking, the speaker system should be kept in conditions of room temperature for at least 4 hours.
- Before installing and using the speaker system, read this Manual carefully and keep it for future reference.

Technical support is on www.sven.fi.

2. PACKAGE CONTENTS

- Speakers — 2 pcs
- Operation manual — 1 pc
- Warranty card — 1 pc

3. SAFETY PRECAUTIONS



Caution! High voltage inside! To avoid the risk of electric shock do not open or touch elements inside.

- To avoid electric shock, do not open the MSS and do not perform repairs by yourself. Service and repairs should be performed only by qualified specialists in an authorized service center. The list of authorized service centers is available on www.sven.fi.
- Do not allow the circuit of wires (including the grounded ones) between the speakers, on the power amplifier or the ground, for it causes damage to the power amplifier output stage.
- Do not touch the MSS power cord plug pins for 2 seconds after unplugging it from the mains.
- Do not put foreign objects inside the holes of the MSS.
- Protect the MSS from high humidity, water and dust.
- Protect the MSS from heating: do not place it closer than 1 m from a heat source. Do not expose it to direct sunlight.
- Do not place any open flame sources on or close to MSS.
- Do not place the MSS in poorly ventilated areas. Leave an air gap of 10 cm or more. When operating the MSS, do not put any devices on it, do not cover it with cloth or other objects preventing it from cooling.
- Do not use any chemical agents for cleaning. Clean it with dry soft cloth only.

4. TECHNICAL DESCRIPTION



SPS-617 2.0 Multimedia Speaker System (MSS) is designed to play music and sound games, movies, etc. The MSS has a built-in power amplifier allowing to connect it to virtually any audio source (CD/DVD-player, TV, PC, etc.) without using an additional power amplifier. It is also equipped with a wired illuminated remote control, a headphone jack and a microphone jack. One speaker is active (it has a built-in power amplifier and a control panel), the other one is passive.

Special features

- Built-in transformer power supply
- Speaker system is compatible with PCs, DVD/Media-players, mobile devices and other sound sources
- Master volume control
- Illuminated remote control with a headphone jack and a microphone jack
- Magnetic shielding
- MDF speaker cabinets

Description of the construction

- ① Built-in audio cable
- ② Wired remote control
- ③ Ø 3.5 mm 2 mini-jack signal cable
- ④ Built-in power cord

- ⑤ POWER ON/OFF: power switch
- ⑥ VOL: volume control knob
- ⑦ Remote control illumination
- ⑧ : headphone jack
- ⑨ : microphone jack

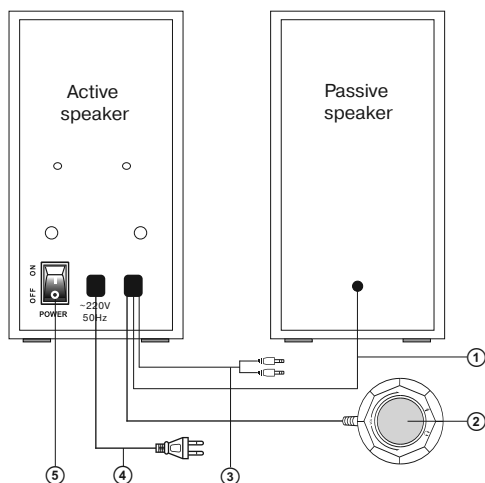


Fig. 1. Rear panels

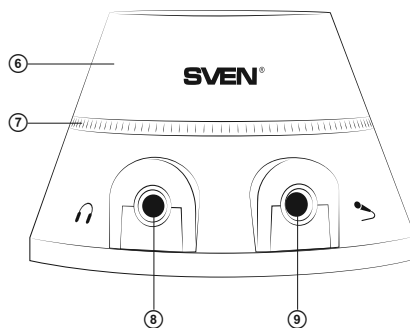


Fig. 2. Remote control

5. PREPARATION AND OPERATION**Speaker placement**

- Place the speakers symmetrically to the listener at least one meter away.
- Place MSS far away from monitors and TV sets, as insignificant image distortion in these supersensitive devices is possible.

MSS Connecting

SPS-617 Multimedia Speaker System can be connected to virtually any audio source: DVD / CD, PC sound card, etc. (see the connection diagram, Fig. 3).

- Before making any connections, make sure that the speaker system is switched off.
- Plug the Ø 3.5 mm mini-jack ③ (green) into the LINE IN port of your PC sound card, or connect it to an MP3 or CD player. Then plug the 3.5 mm mini-jack (pink) into the microphone input on your PC or laptop (see the connection diagram, Fig. 3).
- Plug the power cord ④ into the mains outlet.
- Shift the POWER switch ⑤ into the ON position and adjust the volume level by turning the VOL control knob ⑥ clockwise. By turning the knob clockwise, you increase the volume, by turning the knob counterclockwise, you reduce it.

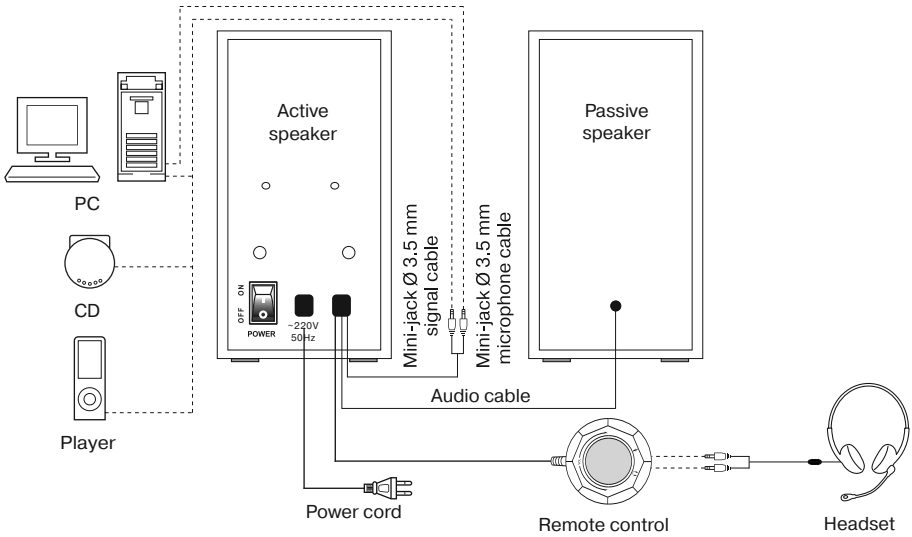


Fig. 3. Connection diagram

- Turn on your audio source.
- To use your headphones, connect them to the headphone jack ⑧ on the remote control (RC).
- A microphone can be connected to the microphone jack ⑨ on the remote control.

Notes:

- **After using the MSS, mind to unplug the power cord from the mains socket.**
- **To improve the sound quality, use the Line-Out output of your sound card.**

6. TROUBLESHOOTING

Problem	Cause	Solution
The MSS does not turn on.	The MSS isn't connected to a mains outlet.	Check the connection.
	Power switch is off.	Turn on the switch.
No sound.	The volume level is set at minimum value.	Adjust the volume control knob.
	Improperly connected audio source.	Connect audio sources correctly.
There is too quiet sound of speakers.	The volume level is set at minimum value.	Adjust the volume control knob.
Distortion of sound.	Large amplitude of the input signal	Turn down the source volume and MSS volume.

If none of the above methods can solve the problem, please seek professional advice at your nearest service center. Never attempt to repair the product yourself.

7. TECHNICAL SPECIFICATIONS

Parameter, measurement unit	Value
Output power (RMS), W	5 (2 × 2.5)
Frequency range, Hz	120 – 18,000
S/N ratio, dB	≥ 60
Speaker diameter, mm woofer tweeter	∅ 75 ∅ 25
Magnetic shielding	yes
Power supply, V/Hz	~220/50
Dimensions (one speaker) (W × H × D), mm	80 × 190 × 108
Weight, kg	1.8

Notes:

- **Technical specifications given in this table are supplemental information and cannot give occasion to claims.**
- **Technical specifications and package contents are subject to change without notice due to the improvement of SVEN production.**

2.0 Multimedia Speaker System

SVEN®
YOU WANT – WE CAN



Модель: SPS-617

Импортер в России: ООО «СКАНДИТРЕЛ», 111024, РФ,
г. Москва, ул. Авиамоторная, д. 65, стр. 1.

Уполномоченная организация в России: ООО «РТ-Ф»,
105082, г. Москва, ул. Фридриха Энгельса, д. 75, стр. 5.

Условия гарантийного обслуживания смотрите
в гарантийном талоне или на сайте **www.sven.fi**.

Гарантийный срок: 12 мес.

Срок службы: 5 лет.

Производитель: «СВЕН ПТЕ. Лимитед»,
176 Джу Чиат Роуд, № 02-02, Сингапур, 427447.

Произведено под контролем «Свен Скандинавия
Лимитед», 48310, Финляндия, Котка,
Котлахдентие, 15. Сделано в Китае.

Manufacturer: SVEN PTE. LTD, 176 Joo Chiat Road,
№ 02-02, Singapore, 427447. Produced under the
control of Oy Sven Scandinavia Ltd. 15, Kotolahdentie,
Kotka, Finland, 48310. Made in China.

© Registered Trademark of Oy SVEN
Scandinavia Ltd. Finland.

SPS-617