

SVEN[®]

2.0 Multimedia Speaker System

OPERATION MANUAL



SPS-607
SPS-608
SPS-609

www.sven.fi

Congratulations on your purchase of the Sven speaker system!

COPYRIGHT

© 2019. SVEN PTE. LTD. Version 1.0 (V 1.0).

This Manual and information contained in it are copyrighted. All rights reserved.

TRADEMARKS

All trademarks are the property of their legal holders.

NOTICE OF RESPONSIBILITY RESTRICTION

Despite the exerted efforts to make this Manual more exact, some discrepancies may occur. The information in this Manual is given on «as is» terms. The author and the publisher do not bear any liability to a person or an organization for loss or damage which has arisen from the information contained in this Manual.

CONTENTS

1. BUYER RECOMMENDATIONS	2
2. PACKAGE CONTENTS	3
3. SAFETY PRECAUTIONS	3
4. TECHNICAL DESCRIPTION	3
5. PREPARATION AND OPERATION	4
6. TROUBLESHOOTING.....	5
7. TECHNICAL SPECIFICATIONS	6

1. BUYER RECOMMENDATIONS

- Unpack the device carefully. Make sure there are no accessories left in the box. Check up the device for damage; if the product was damaged during transportation, address the firm which carried out the delivery; if the product functions incorrectly, address the dealer at once.
- Check up the package contents and availability of the warranty card. Make sure the warranty card has a shop stamp, a legible signature or the seller's stamp and purchase date, and the goods number corresponds to that in the warranty card. Remember: in case of warranty card loss or discrepancy of numbers you forfeit the right for warranty repairs.
- Do not switch on the speaker system immediately after you bring it into a room from environment with negative temperature! After unpacking, the speaker system should be kept in conditions of room temperature for at least 4 hours.
- Before installing and using the speaker system, read this Manual carefully and keep it for future reference.
- Shipping and transportation equipment is permitted only in the original container.
- Does not require special conditions for realization.
- Dispose of in accordance with regulations for the disposal of household and computerequipment.

Technical support is on www.sven.fi.

Operation Manual

SPS-607
SPS-608
SPS-609

2. PACKAGE CONTENTS

- Speakers — 2 pcs
- Operation manual — 1 pc
- Warranty card — 1 pc

3. SAFETY PRECAUTIONS



Caution! High voltage inside! To avoid the risk of electric shock do not open or touch elements inside.

- To avoid electric shock, do not open the MSS and do not perform repairs by yourself. Service and repairs should be performed only by qualified specialists in an authorized service center. The list of authorized service centers is available on www.sven.fi
- Do not allow the circuit of wires (including the grounded ones) between the speakers, on the power amplifier or the ground, for it causes damage to the power amplifier output stage.
- Do not touch the MSS power cord plug pins for 2 seconds after unplugging it from the mains.
- Do not put foreign objects inside the holes of the MSS.
- The product shall not be exposed to water dripping or splashing and no objects filled with liquids, such as vases shall be placed on the product.
- Protect the MSS from heating: do not place it closer than 1 m from a heat source. Do not expose it to direct sunlight.
- Do not place any open flame sources on or close to MSS.
- Do not place the MSS in poorly ventilated areas. Leave an air gap of 10 cm or more. When operating the MSS, do not put any devices on it, do not cover it with cloth or other objects preventing it from cooling.
- MSS has the device of cutting off connection, easy to operate. If the MAINS plug and coupled apparatus used as the disconnect device, the disconnect device should be convenient to insert and pull out.
- Do not use any chemical agents for cleaning. Clean it with dry soft cloth only.

4. TECHNICAL DESCRIPTION

SPS-607/SPS-608/SPS-609 2.0 Multimedia Speaker Systems (MSS) are designed to play music and sound games, movies, etc. The MSS has a built-in power amplifier allowing to connect it to virtually any audio source. One speaker is active (it has a built-in power amplifier and a control panel), while the other one is passive. The passive speaker is connected to the active speaker with an audio cable. The signal cable and the power cable are built into the active speaker.

Special features

- Simple and elegant design
- Built-in transformer power supply
- Speaker system is compatible with PCs, DVD/Media-players, mobile devices and other sound sources
- Master volume and timbre control knobs
- Control knobs on the front side of the active speaker
- Power LED
- The increased stroke of the driver coil provides practically distortionless sound reproduction

- Magnetic shielding
- MDF speaker cabinets

Active speaker front side

- ① Power LED
- ② TONE: timbre control knob
- ③ VOLUME: volume control knob
- ④ POWER: power switch

5. PREPARATION AND OPERATION

Speaker placement

- Place the speakers symmetrically to the listener at least one meter away.
- Since the speaker system has a bass reflex port on the rear panel, place the speakers 20-30 cm away from a wall or any other obstacle.
- Place MSS far away from monitors and TV sets, as insignificant image distortion in these super-sensitive devices is possible.

MSS Connecting

SPS-607/SPS-608/SPS-609 Multimedia Speaker Systems can be connected to virtually any audio source: DVD/CD, PC sound card, etc. (Fig. 2).

- Before making any connections, make sure that the MSS is unplugged.

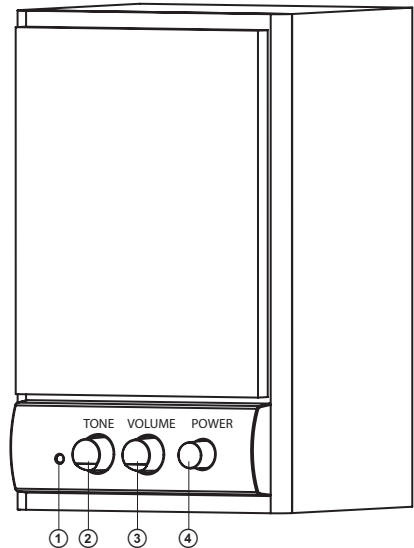


Fig. 1. Control panel

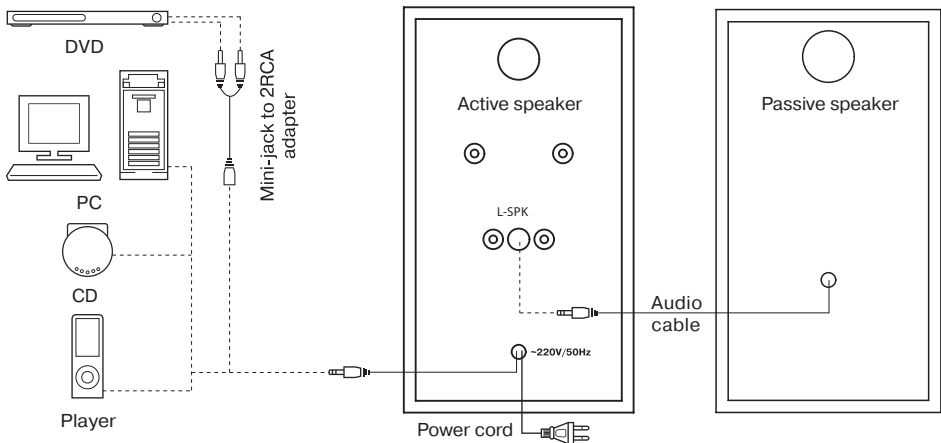


Fig. 2. Connection diagram

- Then connect the speakers by means of the audio cable built into the passive speaker (see Fig. 2).
- Insert the mini-jack of the signal cable built into the active speaker into the output jack of your PC sound card, CD/MP3-players, etc.

Note. To connect the MSS to a CD/DVD player use a built-in stereo signal cable with a mini-jack to 2RCA adapter (not included), as shown in Fig. 2.

- Plug the power cord built into the active speaker into a mains outlet.
- Adjust the volume level to the minimum by turning the VOLUME control knob ② counterclockwise until it stops.
- Switch on the MSS using the POWER switch ④. The power LED ① will light up on the front panel of the active speaker. Then turn on your audio source.
- Set the volume and timbre level by turning the knobs ③ and ② respectively clockwise.

Notes:

- **If the MSS is left unused for a long period of time, make sure the device is turned off and unplugged.**
- **Use the soundcard Line-Out port to improve the sound quality.**

6. TROUBLESHOOTING

Problem	Cause	Solution
The MSS does not turn on.	The MSS isn't connected to a mains outlet.	Check the connection.
	The power switch is off.	Turn on the switch.
No sound.	The volume level is set at minimum value.	Adjust the volume control knob.
	Improperly connected audio source.	Connect the audio sources correctly.
There is too quiet sound of speakers.	The volume level is set at minimum value.	Adjust the volume control knob.
Distortion of sound.	Large amplitude of the input signal.	Turn down the audio source volume and the MSS volume.

If none of the above mentioned solutions removes the problem, please refer to your nearest authorized service center. Never try to repair the device on your own.

7. TECHNICAL SPECIFICATIONS

Models	SPS-607	SPS-608	SPS-609
Parameter, measurement unit	Value	Value	Value
Output power (RMS), W	2 × 3	2 × 3	2 × 5
Frequency range, Hz	80 – 18 000	75 – 20 000	70 – 18 000
Speaker diameter, mm	Ø 76	Ø 76	Ø 76
Power supply, V/Hz	~230/50	~230/50	~230/50
Dimensions (one speaker) (W × H × D), mm	117 × 207 × 105	117 × 207 × 105	115 × 225 × 155
Weight, kg	1.9	1.9	2.25

Notes:

- **Technical specifications given in this table are supplemental information and cannot give occasion to claims.**
- **Technical specifications and package contents are subject to change without notice due to the improvement of SVEN production.**

2.0 Multimedia Speaker System

SVEN®



Model: **SPS-607/SPS-608/SPS-609**

Импортер в России: ООО «РЕГАРД», 105082,
г. Москва, ул. Фридриха Энгельса, д. 75, стр. 5.
Уполномоченная организация в России: ООО «РТ-Ф»,
105082, г. Москва, ул. Фридриха Энгельса, д. 56,
стр. 1. Условия гарантийного обслуживания смотрите
в гарантийном талоне или на сайте www.sven.fi.
Гарантийный срок: 12 мес.

Срок службы: 5 лет.

Производитель: «СВЕН ПТЕ. Лимитед»,
176 Джу Чиат Роуд, № 02-02, Сингапур, 427447.

Произведено под контролем «Свен Скандинавия
Лимитед», 48310, Финляндия, Котка,
Котлахдентие, 15. Сделано в Китае.

Manufacturer: SVEN PTE. LTD, 176 Joo Chiat Road,
№ 02-02, Singapore, 427447. Produced under the
control of Oy Sven Scandinavia Ltd. 15, Kotolahdentie,
Kotka, Finland, 48310. Made in China.

® Registered Trademark of Oy SVEN
Scandinavia Ltd. Finland.



SPS-607

SPS-608

SPS-609