

SVEN[®]
YOU WANT – WE CAN

2.0 USB Multimedia
Speaker System

OPERATION MANUAL



OMNI

www.sven.fi

Congratulations on your purchase of the Sven speaker system!**COPYRIGHT**

© 2014. SVEN PTE. LTD. Version 1.0 (V 1.0).

This Manual and information contained in it are copyrighted. All rights reserved.

TRADEMARKS

All trademarks are the property of their legal holders.

NOTICE OF RESPONSIBILITY RESTRICTION

Despite the exerted efforts to make this Manual more exact, some discrepancies may occur. The information in this Manual is given on “as is” terms. The author and the publisher do not bear any liability to a person or an organization for loss or damage which has arisen from the information contained in this Manual.

CONTENTS

1. BUYER RECOMMENDATIONS	1
2. PACKAGE CONTENTS.....	2
3. SAFETY PRECAUTIONS	2
4. TECHNICAL DESCRIPTION	2
5. PREPARATION AND OPERATION	3
6. TROUBLESHOOTING.....	4
7. TECHNICAL SPECIFICATIONS	4

1. BUYER RECOMMENDATIONS

- Unpack the device carefully. Make sure there are no accessories left in the box. Check up the device for damage; if the product was damaged during transportation, address the firm which carried out the delivery; if the product functions incorrectly, address the dealer at once.
- Check up the package contents and availability of the warranty card. Make sure the warranty card has a shop stamp, a legible signature or the seller’s stamp and purchase date, and the goods number corresponds to that in the warranty card. Remember: in case of warranty card loss or discrepancy of numbers you forfeit the right for warranty repairs.
- Do not switch on the speaker system immediately after you bring it into a room from environment with negative temperature! After unpacking, the speaker system should be kept in conditions of room temperature for at least 4 hours.
- Before installing and using the speaker system, read this Manual carefully and keep it for future reference.

Technical support is on www.sven.fi.

2. PACKAGE CONTENTS

- Speaker system — 1 pc
- Mini-jack to mini-jack signal cable — 1 pc
- USB power cable — 1 pc
- Operation manual — 1 pc
- Warranty card — 1 pc

3. SAFETY PRECAUTIONS

- Do not open the MSS and do not perform repairs by yourself. Service and repairs should be performed only by qualified specialists at authorized service centers. The list of authorized service centers is on **www.sven.fi**.
- Do not allow the circuit of wires (including the grounded ones) between the speakers, on the power amplifier or the ground, for it causes damage to the power amplifier output stage.
- Make sure that foreign objects do not get inside the holes of the MSS.
- Protect the MSS from high humidity, water and dust.
- Protect the MSS from heating: do not place it closer than 1 m from a heat source. Do not expose it to direct sunlight.
- Do not use any chemical agents for cleaning. Clean it with dry soft cloth only.
- If the MSS does not operate, unplug it and address your dealer.

4. TECHNICAL DESCRIPTION

OMNI 2.0 Multimedia Speaker System (MSS) is designed to play music and sound games, movies etc. OMNI is distinguished with its original design. The MSS has a built-in bridge amplifier and acoustic cable, due to which it can be connected to virtually any audio sources. Power is supplied via a PC or laptop USB port or 5V DC power supply. A passive radiator provides reduction of the speaker system's resonant frequency and considerable expansion of reproduced frequency band. The speaker with a built-in amplifier is named the active one.

MSS special features

- U.S.S. (Ultra Sound System) – built-in bridge amplifier provides output power 4 times higher than that of AB class amplifiers
- Speaker system is compatible with PCs, DVD/Media-players, mobile devices and other sound sources
- Volume control
- Power supply via a USB-port of a PC, laptop or 5V DC power supply
- Passive radiator expanding the reproduced frequency range
- Drivers with neodymium magnets
- Base and volume control wheel illumination
- Plastic case of the speakers

MSS construction (Fig. 1)

- ① Active speaker
- ② AUX IN: audio input
- ③ DC IN: power cable jack
- ④ Audio cable

Operation Manual

OMNI

- ⑤ Passive speaker
- ⑥ Passive radiator
- ⑦ Base illumination
- ⑧ Volume control wheel

OMNI speaker system is equipped with a passive radiator instead of a phase inverter. The main advantage of a passive radiator is its ability to reproduce low frequencies with minimum distortions and with a higher sound pressure level than in case conventional phase inverters are used (see Fig. 2). Due to its design, OMNI reproduces low frequencies without distortions.

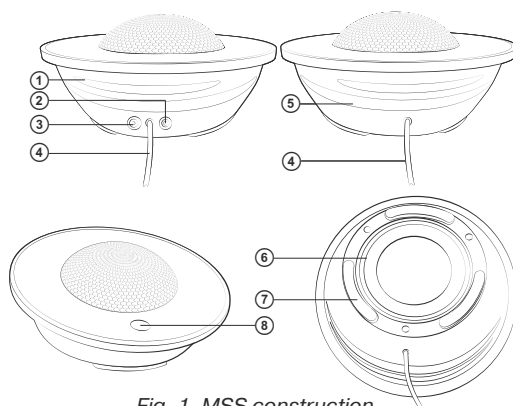


Fig. 1. MSS construction

5. PREPARATION AND OPERATION

Speaker placement

- Place the speakers symmetrically to the listener at least one meter away.
- Place MSS far away from monitors and TV sets, as insignificant image distortion in these supersensitive devices is possible.

MSS Connecting

OMNI Multimedia Speaker System can be connected to virtually any audio source: PC, laptop, MP3/MP4-players ect. (see. Fig. 3).

- Before connecting, make sure that MSS is unplugged.
- Connect the included mini-jack of the signal cable to AUX IN ② of the active speaker, and insert the mini-jack (\varnothing 3.5 mm) of the signal cable into LINE OUT port of the sound source (PC, laptop, MP3/MP4-players, iPhone, iPod ect.), as shown on the connection diagram (Fig. 3).

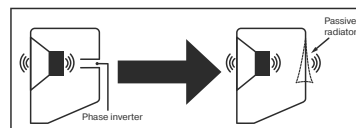


Fig. 2. Passive radiator operation principle

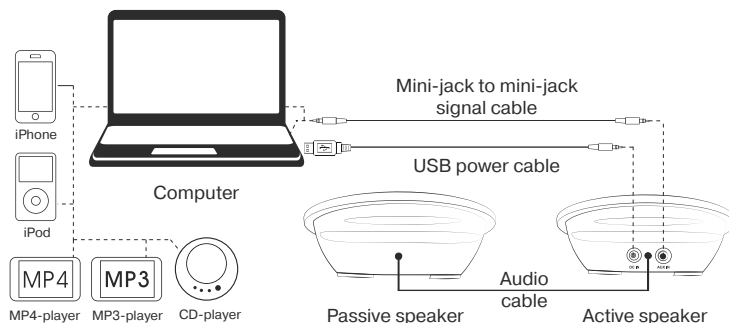


Fig. 3. Connection diagram

- Plug the connector of the USB power cable to the power cable jack DC IN ③, then plug the other connector of the USB power cable to a USB-port of your laptop, PC or 5V DC power supply.
- Set volume level to minimum by turning volume control wheel ④ counterclockwise until it stops.
- Turn on PC power supply, turn on the audio source. The speaker bases and volume control wheel are illuminated during the whole MSS operation.
- Adjust volume level by turning VOLUME control wheel ⑤.

Notes:

- **After finishing operating the MSS, mind to turn off the USB-cable from the PC, laptop USB port or 5V DCV power supply.**
- **To enhance sound quality, use a sound card Line-Out output.**

6. TROUBLESHOOTING

Problem	Cause	Solution
MSS does not turn on.	MSS is not connected to the mains outlet.	Check the connection.
	Power switch is off.	Turn on the switch.
No sound.	Volume level is set at minimum value.	Adjust the volume control knob.
	Improperly connected audio source.	Connect audio sources correctly.
Sound of speakers is too quiet.	Volume level is set at minimum value.	Adjust the volume control knob.
Distortion of sound.	Large amplitude of the input signal.	Turn down the source volume and MSS volume.

If none of the above methods can solve the problem, please seek professional advice at your nearest service center. Never attempt to repair the product yourself.

7. TECHNICAL SPECIFICATIONS

Parameter, measurement unit	Value
Output power (RMS), W	4 (2 × 2)
Frequency range, Hz	120 – 18,000
Speaker diameter, mm	∅ 50
Power supply, V	5 DC/USB
Dimensions (one speaker) (W × H × D), mm	132 × 54 × 132
Weight, kg	0.6

Notes:

- **Technical specifications given in this table are supplemental information and cannot give occasion to claims.**
- **Technical specifications and package contents are subject to change without notice due to the improvement of SVEN production.**

2.0 USB Multimedia Speaker System



Модель: **OMNI**

Импортер в России: ООО «СКАНДИТРЕЛ», 111024, РФ, г. Москва, ул. Авиамоторная, д. 65, стр. 1.

Уполномоченная организация в России: ООО «РТ-Ф», 105082, г. Москва, ул. Фридриха Энгельса, д. 75, стр. 5. Условия гарантийного обслуживания см. в гарантийном талоне или на сайте www.sven.fi.

Гарантийный срок: 12 мес.

Срок службы: 2 года.

Производитель: «СВЕН ПТЕ. Лимитед», 176 Джу Чиат Роуд, № 02-02, Сингапур, 427447.

Произведено под контролем «Свен Скандинавия Лимитед», 48310, Финляндия, Котка, Котолахдентие, 15. Сделано в Китае.

Manufacturer: SVEN PTE. LTD, 176 Joo Chiat Road, № 02-02, Singapore, 427447. Produced under the control of Oy Sven Scandinavia Ltd. 15, Kotolahdentie, Kotka, Finland, 48310. Made in China.

© Registered Trademark of Oy SVEN Scandinavia Ltd. Finland.

SVEN®

YOU WANT – WE CAN

OMNI