

SVEN®
YOU WANT – WE CAN

2.0 Multimedia Speaker System

OPERATION MANUAL



MS-230

www.sven.fi

Congratulations on your purchase of the Sven speaker system!

COPYRIGHT

© 2014. SVEN PTE. LTD. Version 1.0 (V 1.0).

This Manual and information contained in it are copyrighted. All rights reserved.

TRADEMARKS

All trademarks are the property of their legal holders.

NOTICE OF RESPONSIBILITY RESTRICTION

Despite the exerted efforts to make this Manual more exact, some discrepancies may occur. The information in this Manual is given on “as is” terms. The author and the publisher do not bear any liability to a person or an organization for loss or damage which has arisen from the information contained in this Manual.

CONTENTS

1. BUYER RECOMMENDATIONS	1
2. PACKAGE CONTENTS.....	2
3. SAFETY PRECAUTIONS	2
4. TECHNICAL DESCRIPTION	2
5. PREPARATION AND OPERATION	3
6. TROUBLESHOOTING.....	5
7. TECHNICAL SPECIFICATIONS	6

1. BUYER RECOMMENDATIONS

- Unpack the device carefully. Make sure there are no accessories left in the box. Check up the device for damage; if the product was damaged during transportation, address the firm which carried out the delivery; if the product functions incorrectly, address the dealer at once.
- Check up the package contents and availability of the warranty card. Make sure the warranty card has a shop stamp, a legible signature or the seller’s stamp and purchase date, and the goods number corresponds to that in the warranty card. Remember: in case of warranty card loss or discrepancy of numbers you forfeit the right for warranty repairs.
- Do not switch on the speaker system immediately after you bring it into a room from environment with negative temperature! After unpacking, the speaker system should be kept in conditions of room temperature for at least 4 hours.
- Before installing and using the speaker system, read this Manual carefully and keep it for future reference.

Technical support is on www.sven.fi.

2. PACKAGE CONTENTS

- Speakers — 2 pcs
- 2RCA to mini-jack (Ø 3.5 mm) signal cable — 1 pc
- Audio cable — 1 pc
- Operation Manual — 1 pc
- Warranty card — 1 pc

3. SAFETY PRECAUTIONS



Caution! High voltage inside! To avoid the risk of electric shock do not open or touch elements inside.

- To avoid electric shock, do not open the MSS and do not perform repairs by yourself. Service and repairs should be performed only by qualified specialists in an authorized service center. The list of authorized service centers is available on www.sven.fi.
- Do not allow the circuit of wires (including the grounded ones) between the speakers, on the power amplifier or the ground, for it causes damage to the power amplifier output stage.
- Do not touch the MSS power cord plug pins for 2 seconds after unplugging it from the mains.
- Do not put foreign objects inside the holes of the MSS.
- Protect the MSS from high humidity, water and dust.
- Protect the MSS from heating: do not place it closer than 1 m from a heat source. Do not expose it to direct sunlight.
- Do not place any open flame sources on or close to MSS.
- Do not place the MSS in poorly ventilated areas. Leave an air gap of 10 cm or more. When operating the MSS, do not put any devices on it, do not cover it with cloth or other objects preventing it from cooling.
- Do not use any chemical agents for cleaning. Clean it with dry soft cloth only.

4. TECHNICAL DESCRIPTION

MS-230 2.0 Multimedia Speaker System (MSS) is designed to play music and sound games, movies etc. The MSS has a built-in power amplifier allowing to connect it to virtually any audio source (CD/DVD-players, TV, PC, etc.) without using an additional power amplifier. The speaker with an audio input and a control panel is named the active one.

Special features

- Two-way speaker system
- Speaker system is compatible with PCs, DVD/Media-players, mobile devices and other sound sources
- Controls on the side panel of the active speaker
- Comfortable timbre and volume control
- Headphone jack
- Magnetic shielding
- MDF speaker cabinets

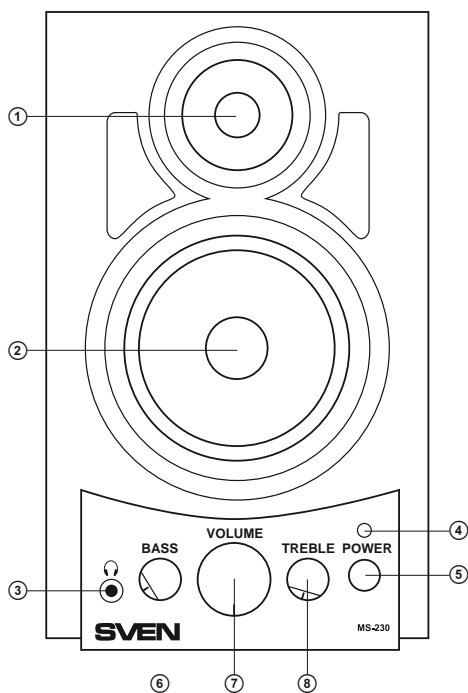


Fig. 1. Front panel

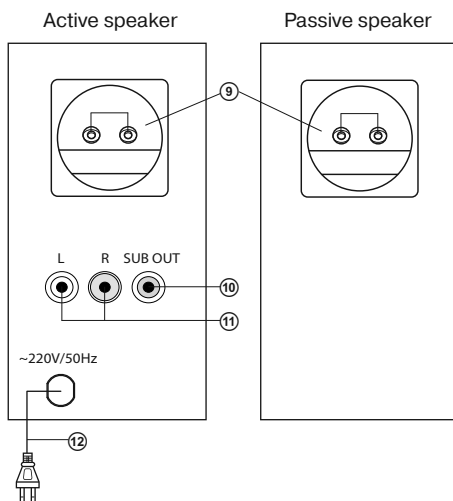


Fig. 2. Rear panels

Speaker panels

- ① Tweeter
- ② Woofer
- ③ Headphone jack
- ④ Power LED
- ⑤ POWER: power switch
- ⑥ BASS: bass control knob
- ⑦ VOLUME: volume control knob

- ⑧ TREBLE: treble control knob
- ⑨ Terminals for connecting speakers to each other
- ⑩ SUB OUT: subwoofer output
- ⑪ L/R: stereo input for various audio devices
- ⑫ Power cord

5. PREPARATION AND OPERATION

Speaker placement

- Place the speakers symmetrically to the listener at least one meter away.
- Place MSS far away from TV sets, as insignificant image distortion in these supersensitive devices is possible.

MSS Connecting

MS-230 Multimedia Speaker System can be connected to virtually any audio source: DVD/CD, PC sound card etc. (see connection diagram below, Fig. 3) and also an active subwoofer if necessary.

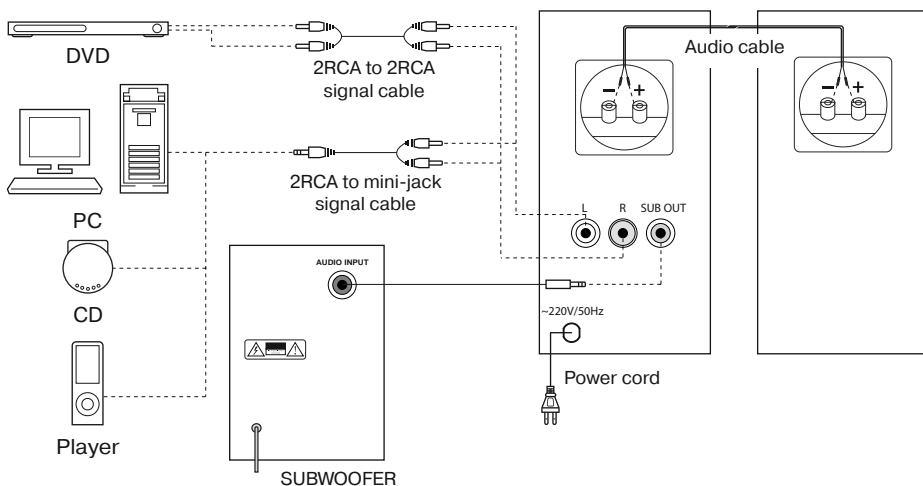


Fig. 3. Connection diagram

- Before making any connections, make sure that the speaker system is unplugged. Then connect the speakers to each other: insert the positive wire of the audio cable into the red jack «+» and the negative wire into the white jack «-» of the connection terminals (see Connection diagram above). Start with the passive speaker, then connect the cable to the active one.
- Connect the RCA jacks of the signal cable to the L and R terminals ⑩, then connect the mini-jack (Ø 3,5 mm) of the included 2RCA to 3.5 mm mini-jack signal cable to the output of the PC sound card or audio output of another sound source. An active subwoofer can be connected (see connection diagram Fig. 3).

Notes:

- **To connect the speaker system to a DVD/CD-player, use a 2RCA to 2RCA stereo signal cable (not included) or a mini-jack to 2RCA adapter (not included).**
- **Check the reliable fixation of wires in the connection terminals, polarity of connection and absence of contact between the bared wires and the metal parts of the hardware.**
- **Please pay special attention to reliability of cables fixation in the jacks, otherwise considerable noise can be observed during music reproduction.**
- Insert the plug of the power cord ⑫ into a mains socket. Adjust the volume level to its minimum by turning the VOLUME control knob ⑦ counterclockwise until it stops.
- Switch on the device (⑤, ON position), the power LED ④ lights up.
- Switch on the audio source.

- Adjust the volume level by turning the VOLUME control knob ⑦. While turning the knob clockwise, you increase the volume level, but while turning it counterclockwise, you reduce it.
- Adjust the treble and bass levels by turning the TREBLE control knob ⑧ and BASS control knob ⑥ accordingly. While turning the knobs clockwise, you increase the treble and bass level, but while turning the knobs counterclockwise, you reduce it.

Notes:

- **After using the MSS, mind to shift the POWER switch ⑤ into the OFF position, and unplug the power cord ⑫.**
- **To enhance the sound quality, use the Line-Out port of your sound card.**

6. TROUBLESHOOTING

Problem	Cause	Solution
The MSS does not turn on.	The MSS isn't connected to a mains outlet.	Check the connection.
	The power switch is off.	Turn on the switch.
No sound.	Volume level is set at minimum value.	Adjust volume control knob.
	Improperly connected audio sources.	Connect the audio sources correctly.
The sound of speakers is too quiet.	Volume level is set at minimum value.	Adjust volume control knob.
Distortion of sound.	Large amplitude of the input signal.	Turn down the source and MSS volume.
Sound is produced by one of the channels only.	The speakers are improperly connected to the audio source.	Check the connection of speakers.

If none of the above mentioned solutions removes the problem, please refer to your nearest authorized service center. Never try to repair the device on your own.

7. TECHNICAL SPECIFICATIONS

Parameter, measurement unit	Value
Output power (RMS), W	10 (2 × 5)
Frequency range, Hz	50 – 18,000
Impedance, Ohm	4
Speaker diameter, mm woofer tweeter	Ø 89 Ø 38
Magnetic shielding	yes
Voltage supply, V/Hz	~220/50
Dimensions (one speaker) (W × H × D), mm	130 × 230 × 132
Weight, kg	2.9

Notes:

- **Technical specifications given in this table are supplemental information and cannot give occasion to claims.**
- **Technical specifications and package contents are subject to change without notice due to the improvement of SVEN production.**

2.0 Multimedia Speaker System

SVEN®
YOU WANT – WE CAN



Модель: MS-230

Импортер в России: ООО «СКАНДИТРЕЛ», 111024, РФ,
г. Москва, ул. Авиамоторная, д. 65, стр. 1.

Уполномоченная организация в России: ООО «РТ-Ф»,
105082, г. Москва, ул. Фридриха Энгельса, д. 75, стр. 5.

Условия гарантийного обслуживания смотрите
в гарантийном талоне или на сайте **www.sven.fi**.

Гарантийный срок: 12 мес.

Срок службы: 5 лет.

Производитель: «СВЕН ПТЕ. Лимитед»,
176 Джу Чиат Роуд, № 02-02, Сингапур, 427447.

Произведено под контролем «Свен Скандинавия
Лимитед», 48310, Финляндия, Котка,
Котлахдентие, 15. Сделано в Китае.

Manufacturer: SVEN PTE. LTD, 176 Joo Chiat Road,
№ 02-02, Singapore, 427447. Produced under the
control of Oy Sven Scandinavia Ltd. 15, Kotolahdentie,
Kotka, Finland, 48310. Made in China.

© Registered Trademark of Oy SVEN
Scandinavia Ltd. Finland.

MS-230