

SVEN®
YOU WANT – WE CAN

2.0 Multimedia Speaker System

OPERATION MANUAL



CF – 15
CF – 25

www.sven.fi

Congratulations on your purchase of the Sven speaker system!

COPYRIGHT

© 2014. SVEN PTE. LTD. Version 1.0 (V 1.0).

This Manual and information contained in it are copyrighted. All rights reserved.

TRADEMARKS

All trademarks are the property of their legal holders.

NOTICE OF RESPONSIBILITY RESTRICTION

Despite the exerted efforts to make this Manual more exact, some discrepancies may occur. The information in this Manual is given on «as is» terms. The author and the publisher do not bear any liability to a person or an organization for loss or damage which has arisen from the information contained in this Manual.

CONTENTS

1. BUYER RECOMMENDATIONS	1
2. PACKAGE CONTENTS.....	2
3. SAFETY PRECAUTIONS	2
4. TECHNICAL DESCRIPTION	2
5. PREPARATION AND OPERATION	3
6. TROUBLESHOOTING.....	5
7. TECHNICAL SPECIFICATIONS	5

1. BUYER RECOMMENDATIONS

- Unpack the device carefully. Make sure there are no accessories left in the box. Check up the device for damage; if the product was damaged during transportation, address the firm which carried out the delivery; if the product functions incorrectly, address the dealer at once.
- Check up the package contents and availability of the warranty card. Make sure the warranty card has a shop stamp, a legible signature or the seller's stamp and purchase date, and the goods number corresponds to that in the warranty card. Remember: in case of warranty card loss or discrepancy of numbers you forfeit the right for warranty repairs.
- Do not switch on the speaker system immediately after you bring it into a room from environment with negative temperature! After unpacking, the speaker system should be kept in conditions of room temperature for at least 4 hours.
- Before installing and using the speaker system, read this Manual carefully and keep it for future reference.

Technical support is on www.sven.fi

2. PACKAGE CONTENTS

- Speakers — 2 pcs
- Mini-jack to mini-jack (Ø 3.5 mm) stereo signal cable — 1 pc
- Mini-jack (Ø 3.5 mm) to 2RCA adapter — 1 pc
- Power cable — 1 pc
- Operation manual — 1 pc
- Warranty card — 1 pc

3. SAFETY PRECAUTIONS



Caution! High voltage inside! To avoid the risk of electric shock do not open or touch elements inside.

- To avoid electric shock, do not open the MSS and do not perform repairs by yourself. Service and repairs should be performed only by qualified specialists in an authorized service center. The list of authorized service centers is available on www.sven.fi.
- Do not allow the circuit of wires (including the grounded ones) between the speakers, on the power amplifier or the ground, for it causes damage to the power amplifier output stage.
- Do not touch the MSS power cord plug pins for 2 seconds after unplugging it from the mains.
- Do not put foreign objects inside the holes of the MSS.
- Protect the MSS from high humidity, water and dust.
- Protect the MSS from heating: do not place it closer than 1 m from a heat source. Do not expose it to direct sunlight.
- Do not place any open flame sources on or close to MSS.
- Do not place the MSS in poorly ventilated areas. Leave an air gap of 10 cm or more. When operating the MSS, do not put any devices on it, do not cover it with cloth or other objects preventing it from cooling.
- Do not use any chemical agents for cleaning. Clean it with dry soft cloth only.

4. TECHNICAL DESCRIPTION

CF-15/CF-25 2.0 Multimedia Speaker Systems (MSS) are designed to play music and sound games, movies and so on. These systems are equipped with a built-in power amplifier and transformer power supply with a powerful filter, and improved temperature control, therefore they can be connected to virtually any audio source (CD/DVD-player, TV, PC etc.) without using an additional power amplifier. One speaker is active (it has a built-in power amplifier and a control panel), the other one is passive. The front panel of the active speaker has a headphone jack.

Special features

- Built-in transformer power supply
- Bass, treble and volume control
- Speaker system is compatible with PCs, VD/Media-players, mobile devices and other sound sources
- Headphone jack
- Illuminated volume control knob
- Magnetic shielding
- MDF speaker cabinets

Operation Manual

CF-15/CF-25

Control panel

- ① BASS: bass control knob
- ② VOLUME: volume control knob
- ③ TREBLE: treble control knob
- ④ PHONES: headphone jack
- ⑤ Bass reflex port
- ⑥ INPUT: audio source input
- ⑦ ON/OFF: power switch
- ⑧ SPEAKER OUT: passive speaker output
- ⑨ Power cable connection jack

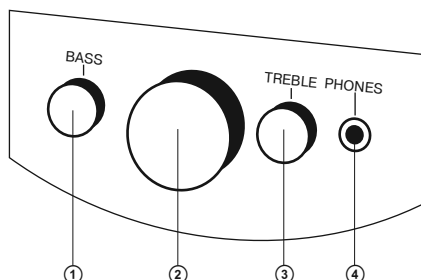


Fig. 1. Control panel

5. PREPARATION AND OPERATION

Speaker placement

- Place the speakers symmetrically to the listener at least one meter away.
- The MSS has a bass reflex port on the rear panel, therefore the MSS should be installed at the distance of 20-30 cm from a wall or other obstacle.
- Place MSS far away from monitors and TV sets, as insignificant image distortion in these supersensitive devices is possible.

MSS Connecting

CF-15/CF-25 Multimedia Speaker Systems can be connected to virtually any audio source: DVD/CD, PC sound card, etc. (see connection diagram, Fig. 3).

- Before connecting, make sure that the MSS is unplugged. Then connect the speakers with each other via the audio cable built into the passive speaker (see connection diagram).

- Insert one mini-jack of the signal cable (included) into the audio input (INPUT) of the MSS and connect the second mini-jack of the signal cable to the LINE OUT port of your PC sound card or to your music player.

- To connect the MSS to a DVD/CD-player, it is necessary to use a mini-jack (Ø 3.5 mm) to 2RCA stereo signal cable (not included) or the mini-jack (Ø 3.5 mm) to 2RCA adapter (included). Insert the RCA-jack of the signal cable into the audio output (OUTPUT) of your DVD/CD-player and the mini-jack of the signal cable into the audio input (INPUT) of the MSS.

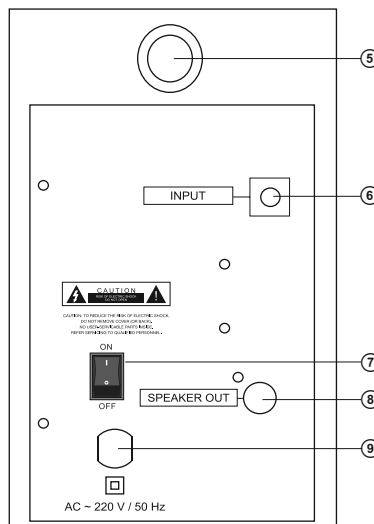


Fig. 2. Active speaker rear panel

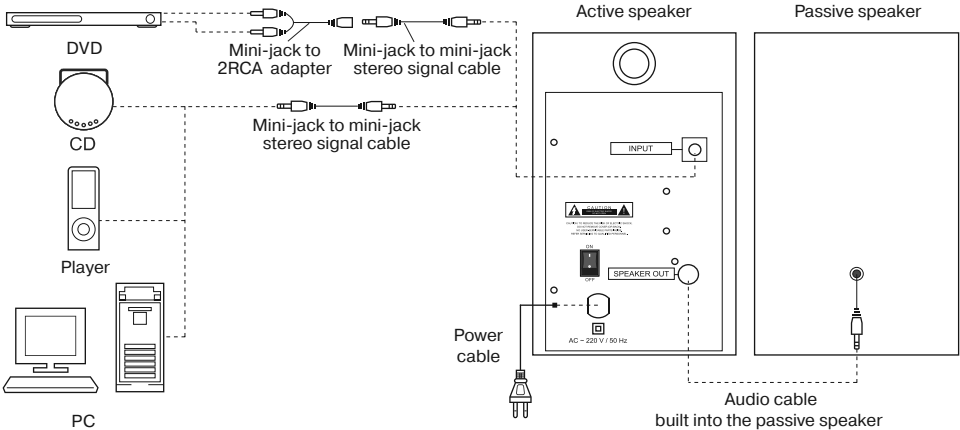


Fig. 3. Connection diagram

Notes. Check the fixation of wires in the connection terminals, polarity and absence of circuit between the wires and metal parts of the equipment.

- Insert the power cable (included) into the connection jack ⑨. Plug the power cord ⑨ into the mains outlet. Adjust the volume level to its minimum by turning the VOLUME control knob ② counterclockwise until it stops.
- Switch on the MSS with the POWER switch ⑦ (ON position).
- Turn on your audio source.
- Adjust the master volume level by turning the VOLUME control knob ②. By turning the knob clockwise, you increase the volume, and by turning the knob counterclockwise, you reduce it.
- Adjust the bass and treble levels by turning the TREBLE control knob ③ and BASS control knob ① respectively. By turning the knob clockwise, you increase the bass/treble level, and by turning the knob counterclockwise, you reduce it.

Notes:

- **After using the MSS, mind to unplug the power cable from the mains socket.**
- **To improve the sound quality, use the Line-Out port of your sound card.**

6. TROUBLESHOOTING

Problem	Cause	Solution
The MSS does not turn on.	The MSS isn't connected to a mains outlet.	Check the connection.
	Power switch is off.	Turn on the switch.
No sound.	Volume level is set at minimum value.	Adjust the volume control knob.
	Improperly connected audio source.	Connect audio sources correctly.
There is too quiet sound of speakers.	Volume level is set at minimum value.	Adjust the volume control knob.
Distortion of sound.	Large amplitude of the input signal.	Turn down source volume and MSS volume.

If none of the above methods can solve the problem, please seek professional advice at your nearest service center. Never attempt to repair the product yourself.

7. TECHNICAL SPECIFICATIONS

Models	CF-15	CF-25
Parameter, measurement unit	Value	Value
Output power (RMS), W	20 (2 × 10)	24 (2 × 12)
Frequency range, Hz	60 – 20 000	50 – 20 000
Tweeter diameter, mm	∅ 38	∅ 38
Woofer diameter, mm	∅ 100	∅ 100
Power supply, V/Hz	~220/50	~220/50
Dimensions (one speaker) (W × H × D), mm	131 × 242 × 135	131 × 283 × 165
Weight, kg	3.7	4.3

Notes:

- *Technical specifications given in this table are supplemental information and cannot give occasion to claims.*
- *Technical specifications and package contents are subject to change without notice due to the improvement of SVEN production.*

2.0 Multimedia Speaker System

SVEN®
YOU WANT – WE CAN



Модели: **CF-15/CF-25**

Импортер в России: ООО «СКАНДИТРЕЛ», 111024, РФ,
г. Москва, ул. Авиамоторная, д. 65, стр. 1.

Уполномоченная организация в России: ООО «РТ-Ф»,
105082, г. Москва, ул. Фридриха Энгельса, д. 75, стр. 5.

Условия гарантийного обслуживания смотрите
в гарантийном талоне или на сайте **www.sven.fi**

Гарантийный срок: 12 мес.

Срок службы: 5 лет.

Производитель: «СВЕН ПТЕ. Лимитед»,
176 Джу Чиаг Роуд, № 02-02, Сингапур, 427447.

Произведено под контролем «Свен Скандинавия
Лимитед», 48310, Финляндия, Котка,
Котolahdentie, 15. Сделано в Китае.

Manufacturer: SVEN PTE. LTD, 176 Joo Chiat Road,
№ 02-02, Singapore, 427447. Produced under the control
of Oy Sven Scandinavia Ltd. 15, Kotolahdentie, Kotka,
Finland, 48310. Made in China.

© Registered Trademark of Oy SVEN
Scandinavia Ltd. Finland.

CF-15
CF-25