

SVEN®
YOU WANT – WE CAN

2.0 Multimedia Speaker System

OPERATION MANUAL



BF-11
BF-21
BF-111

www.sven.fi

Congratulations on your purchase of the Sven speaker system!

COPYRIGHT

© 2014. SVEN PTE. LTD. Version 1.0 (V 1.0).

This Manual and information contained in it are copyrighted. All rights reserved.

TRADEMARKS

All trademarks are the property of their legal holders.

NOTICE OF RESPONSIBILITY RESTRICTION

Despite the exerted efforts to make this Manual more exact, some discrepancies may occur. The information in this Manual is given on “as is” terms. The author and the publisher do not bear any liability to a person or an organization for loss or damage which has arisen from the information contained in this Manual.

CONTENTS

1. BUYER RECOMMENDATIONS	1
2. PACKAGE CONTENTS.....	2
3. SAFETY PRECAUTIONS	2
4. TECHNICAL DESCRIPTION	2
5. PREPARATION AND OPERATION	3
6. TROUBLESHOOTING.....	4
7. TECHNICAL SPECIFICATIONS	4

1. BUYER RECOMMENDATIONS

- Unpack the device carefully. Make sure there are no accessories left in the box. Check up the device for damage; if the product was damaged during transportation, address the firm which carried out the delivery; if the product functions incorrectly, address the dealer at once.
- Check up the package contents and availability of the warranty card. Make sure the warranty card has a shop stamp, a legible signature or the seller’s stamp and purchase date, and the goods number corresponds to that in the warranty card. Remember: in case of warranty card loss or discrepancy of numbers you forfeit the right for warranty repairs.
- Do not switch on the speaker system immediately after you bring it into a room from environment with negative temperature! After unpacking, the speaker system should be kept in conditions of room temperature for at least 4 hours.
- Before installing and using the speaker system, read this Manual carefully and keep it for future reference.

Technical support is on www.sven.fi.

2. PACKAGE CONTENTS

- Speakers — 2 pcs
- Audio cable — 1 pc
- 2RCA to mini-jack (Ø 3.5 mm) stereo signal cable — 1 pc
- Mini-jack (Ø 3.5 mm) to 2RCA adapter — 1 pc
- Power cable — 1 pc
- Operation Manual — 1 pc
- Warranty card — 1 pc

3. SAFETY PRECAUTIONS



Caution! High voltage inside! To avoid the risk of electric shock do not open or touch elements inside.

- To avoid electric shock, do not open the MSS and do not perform repairs by yourself. Service and repairs should be performed only by qualified specialists in an authorized service center. The list of authorized service centers is available on www.sven.fi.
- Do not allow the circuit of wires (including the grounded ones) between the speakers, on the power amplifier or the ground, for it causes damage to the power amplifier output stage.
- Do not touch the MSS power cord plug pins for 2 seconds after unplugging it from the mains.
- Do not put foreign objects inside the holes of the MSS.
- Protect the MSS from high humidity, water and dust.
- Protect the MSS from heating: do not place it closer than 1 m from a heat source. Do not expose it to direct sunlight.
- Do not place any open flame sources on or close to MSS.
- Do not place the MSS in poorly ventilated areas. Leave an air gap of 10 cm or more. When operating the MSS, do not put any devices on it, do not cover it with cloth or other objects preventing it from cooling.
- Do not use any chemical agents for cleaning. Clean it with dry soft cloth only.

4. TECHNICAL DESCRIPTION

BF-11/BF-21/BF-111 Multimedia Speaker Systems (MSS) are designed to play music and sound games, movies and etc. They are equipped with a built-in dual channel non-capacitive power amplifier and a transformer power supply with a powerful surge protector, and improved temperature control due to which they can be connected to virtually any audio source without using an additional power amplifier. One speaker is active (it has a built-in power amplifier and a control panel), the other one is passive. The MSS can be connected to an active subwoofer.

Special features

- Built-in transformer power supply with a powerful surge protector, and improved temperature control
- Built-in dual channel non-capacitive amplifier
- Hypersensitive silk tweeters
- Master volume, treble and bass control
- Speaker system is compatible with PCs, DVD/Media-players, mobile devices and other sound sources

Operation Manual

BF-11/BF-21/ BF-111

- Hi-Fi jacks
- Active subwoofer output
- Magnetic shielding
- MDF speaker cabinets
- MDF speaker cabinets

Active speaker rear panel

- ① VOLUME: volume control knob
- ② BASS: bass control knob
- ③ INPUT R/L: audio input
- ④ SUB.OUT: subwoofer output
- ⑤ Terminals for connecting the speakers to each other
- ⑥ TREBLE: treble control knob
- ⑦ Power LED
- ⑧ POWER ON/OFF: power switch
- ⑨ Power cable connector
- ⑩ Power cable

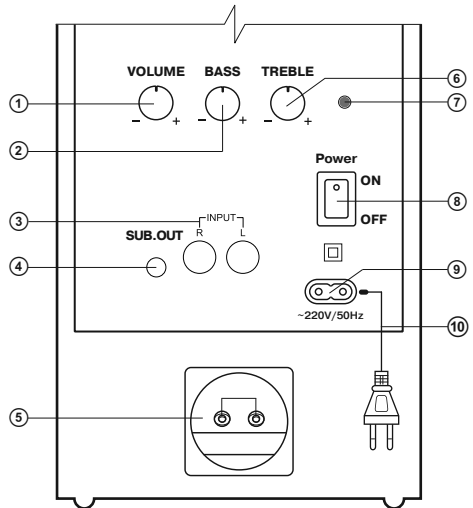


Fig. 1. Active speaker rear panel

5. PREPARATION AND OPERATION

Speaker placement

- Place the speakers symmetrically to the listener at least one meter away.
- Place MSS far away from monitors and TV sets, as insignificant image distortion in these supersensitive devices is possible.

MSS Connecting

BF-11/BF-21/BF-111 MSS can be connected to virtually any audio source: DVD/CD, PC sound card, etc. (see connection diagram, Fig. 2), and to an active subwoofer, if necessary.

- Before connecting, make sure that the MSS is unplugged. Then connect the speakers to each other. For this purpose, insert the «+» side of the cable into the red «+» port, and the «-» side of the cable into the white «-» port of the connection terminals (see Fig. 2) of the passive speaker, then connect the audio cable to the active speaker in the same way. Tighten the nuts of connection terminals securely.
- Plug RCA connectors of the stereo signal cable into R and L audio inputs ③ of the MSS, then connect the 3.5 mm mini-jack of the 2RCA to mini-jack signal cable (included) to the audio output (Ø 3.5 mm) of the audio source (see connection diagram, Fig. 2).

Notes:

• To connect the MSS to a CD/DVD player or TV, it is necessary to use a Ø 3.5 mm mini-jack to 2RCA adapter (included in the package contents) together with the 2RCA to Ø 3.5 mm mini-jack stereo signal cable. For this purpose, the RCA cable should be connected to the INPUT R/L ③ of the MSS (see connection diagram).

• BF-11/BF-21/BF-111 MSS can be connected to an active subwoofer, which allows to create a 2.1 speaker system. To connect a subwoofer (not included), use SUB.OUT ④.

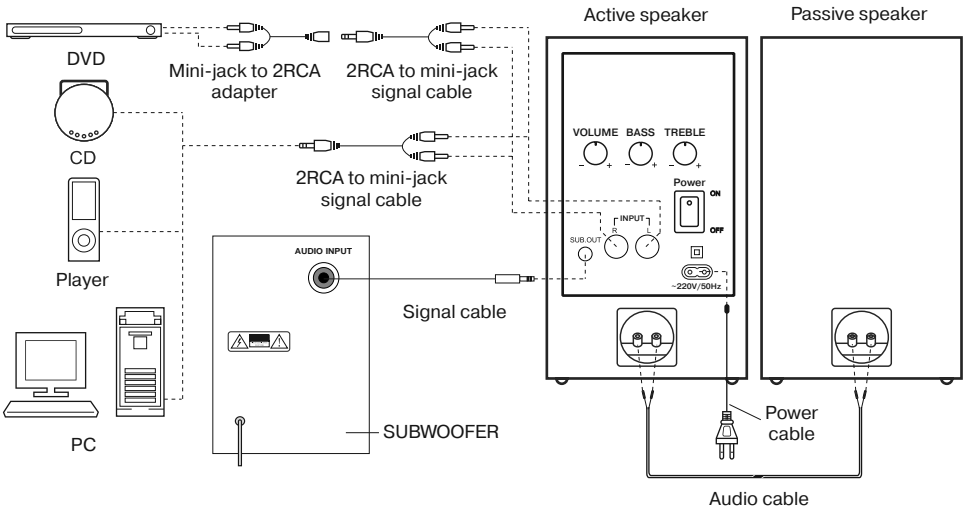


Fig. 2. Connection diagram

• Check the fixation of wires in the connection terminals, polarity and absence of circuit between the wires and metal parts of the equipment.

- Plug the power cable ⑩ into the power cable port ⑨ and then into the mains socket. Set the volume level to its minimum by turning the VOLUME control knob ① on the active speaker rear panel counterclockwise until it stops.
- Shift the POWER switch ⑧ into the ON position, and the power LED ⑦ will illuminate.
- Turn on the audio source.
- Adjust the volume level by turning the VOLUME control knob ①. By turning the knob clockwise, you increase the volume level, and by turning the knob counterclockwise, you reduce it.
- Adjust the bass and treble levels by turning the TREBLE control knob ⑥ and BASS control knob ② respectively. By turning the knobs clockwise, you increase the treble/bass level, by turning the knobs counterclockwise, you reduce it.

Notes:

- **After using the MSS, mind to unplug the power cable ⑩ from the mains socket.**
- **To improve the sound quality, use the Line-Out output of your sound card.**

6. TROUBLESHOOTING

Problem	Cause	Solution
The MSS does not turn on.	The MSS is not connected to the mains outlet.	Check the connection.
	Power switch is off.	Turn on the switch.
No sound.	Volume level is set at minimum value.	Adjust the volume control knob.
	The audio source is improperly connected.	Connect audio sources correctly.
There is too quiet sound of speakers.	Volume level is set at minimum value.	Adjust the volume control knob.
Distortion of sound.	Large amplitude of the input signal.	Turn down the source volume and MSS volume.
Sound is produced by one of the channels only.	The speakers are improperly connected to the audio source.	Check the connection of speakers.

If none of the above methods can solve the problem, please seek professional advice at your nearest service center. Never attempt to repair the product yourself.

7. TECHNICAL SPECIFICATIONS

Models	BF-11	BF-21	BF-111
Parameter, measurement unit	Value	Value	Value
Output power (RMS), W	36 (2 × 18)	40 (2 × 20)	50 (2 × 25)
Frequency range, Hz	40 – 20,000	35 – 20,000	32 – 20,000
S/N ratio, dB	≥ 75	≥ 75	≥ 65
Tweeter diameter, mm	Ø 25	Ø 25	Ø 25
Woofer diameter, mm	Ø 100	Ø 100	Ø 165
Voltage supply, V/Hz	~220/50	~220/50	~220/50
Dimensions (one speaker) (W × H × D), mm	150 × 263 × 185	150 × 310 × 232	203 × 342 × 230
Weight, kg	6.4	7.5	9.3

Notes:

- **Technical specifications given in this table are supplemental information and cannot give occasion to claims.**
- **Technical specifications and package contents are subject to change without notice due to the improvement of SVEN production.**

2.0 Multimedia Speaker System

SVEN®
YOU WANT – WE CAN



Модели: **BF-11/BF-21/BF-111**

Импортер в России: ООО «СКАНДИТРЕЛ», 111024, РФ,
г. Москва, ул. Авиамоторная, д. 65, стр. 1.

Уполномоченная организация в России: ООО «РТ-Ф»,
105082, г. Москва, ул. Фридриха Энгельса, д. 75, стр. 5.

Условия гарантийного обслуживания смотрите
в гарантийном талоне или на сайте www.sven.fi.

Гарантийный срок: 12 мес.

Срок службы: 5 лет.

Производитель: «СВЕН ПТЕ. Лимитед»,

176 Джу Чиаг Роуд, № 02-02, Сингапур, 427447.

Произведено под контролем «Свен Скандинавия

Лимитед», 48310, Финляндия, Котка,

Котлахдентие, 15. Сделано в Китае.

Manufacturer: SVEN PTE. LTD, 176 Joo Chiat Road,
№ 02-02, Singapore, 427447. Produced under the
control of Oy Sven Scandinavia Ltd. 15, Kotolahdentie,
Kotka, Finland, 48310. Made in China.

© Registered Trademark of Oy SVEN
Scandinavia Ltd. Finland.

BF-11
BF-21
BF-111