

SVEN®
YOU WANT – WE CAN

2.0 Multimedia Speaker System

OPERATION MANUAL



BF-01

www.sven.fi

Congratulations on your purchase of the Sven speaker system!

COPYRIGHT

© 2014. SVEN PTE. LTD. Version 1.0 (V 1.0).

This Manual and information contained in it are copyrighted. All rights reserved.

TRADEMARKS

All trademarks are the property of their legal holders.

NOTICE OF RESPONSIBILITY RESTRICTION

Despite the exerted efforts to make this Manual more exact, some discrepancies may occur. The information in this Manual is given on “as is” terms. The author and the publisher do not bear any liability to a person or an organization for loss or damage which has arisen from the information contained in this Manual.

CONTENTS

1. BUYER RECOMMENDATIONS	1
2. PACKAGE CONTENTS.....	2
3. SAFETY PRECAUTIONS	2
4. TECHNICAL DESCRIPTION	2
5. PREPARATION AND OPERATION	3
6. TROUBLESHOOTING.....	5
7. TECHNICAL SPECIFICATIONS	5

1. BUYER RECOMMENDATIONS

- Unpack the device carefully. Make sure there are no accessories left in the box. Check up the device for damage; if the product was damaged during transportation, address the firm which carried out the delivery; if the product functions incorrectly, address the dealer at once.
- Check up the package contents and availability of the warranty card. Make sure the warranty card has a shop stamp, a legible signature or the seller’s stamp and purchase date, and the goods number corresponds to that in the warranty card. Remember: in case of warranty card loss or discrepancy of numbers you forfeit the right for warranty repairs.
- Do not switch on the speaker system immediately after you bring it into a room from environment with negative temperature! After unpacking, the speaker system should be kept in conditions of room temperature for at least 4 hours.
- Before installing and using the speaker system, read this Manual carefully and keep it for future reference.

Technical support is on www.sven.fi.

2. PACKAGE CONTENTS

- Speakers — 2 pcs
- 2RCA to mini-jack (Ø 3.5 mm) signal cable — 1 pc
- Operation manual — 1 pc
- Warranty card — 1 pc

3. SAFETY PRECAUTIONS



Caution! High voltage inside! To avoid the risk of electric shock do not open or touch elements inside.

- To avoid electric shock, do not open the MSS and do not perform repairs by yourself. Service and repairs should be performed only by qualified specialists in an authorized service center. The list of authorized service centers is available on www.sven.fi.
- Do not allow the circuit of wires (including the grounded ones) between the speakers, on the power amplifier or the ground, for it causes damage to the power amplifier output stage.
- Do not touch the MSS power cord plug pins for 2 seconds after unplugging it from the mains.
- Disconnect MSS from the mains system during a fuse replacement. Use fuses of the same type and rated value. Do not use hand-made fuses.
- Do not put foreign objects inside the holes of the MSS.
- Protect the MSS from high humidity, water and dust.
- Protect the MSS from heating: do not place it closer than 1 m from a heat source. Do not expose it to direct sunlight.
- Do not place any open flame sources on or close to MSS.
- Do not place the MSS in poorly ventilated areas. Leave an air gap of 10 cm or more. When operating the MSS, do not put any devices on it, do not cover it with cloth or other objects preventing it from cooling.
- Do not use any chemical agents for cleaning. Clean it with dry soft cloth only.

4. TECHNICAL DESCRIPTION

BF-01 2.0 Multimedia Speaker System (MSS) is designed to play music and sound games, movies, etc. The MSS has a built-in power amplifier enabling to connect it to virtually any audio source (CD/DVD-player, TV, PC, etc.) without using an additional power amplifier. One speaker is active (it has a built-in power amplifier and a control panel), the other one is passive. The MSS can be connected to an active subwoofer.

Special features

- Speaker system is compatible with PCs, DVD/Media-players, mobile devices and other sound sources
- Built-in transformer power supply
- Built-in dual-channel amplifier
- Volume, bass and treble control
- Mirror location of speakers
- Front-mounted bas reflex port
- Active subwoofer output

- Magnetic shielding
- MDF speaker cabinets

Active speaker rear panel

- ① Power LED
- ② VOLUME: volume control knob
- ③ BASS: bass control knob
- ④ TREBLE: treble control knob
- ⑤ INPUT R/L: audio input
- ⑥ SUB.OUT: subwoofer output
- ⑦ Power cord
- ⑧ L-SPK: passive speaker input
- ⑨ POWER ON/OFF: power switch

5. PREPARATION AND OPERATION

Speaker placement

- Place the speakers symmetrically to the listener at least one meter away.
- Place MSS far away from monitors and TV sets, as insignificant image distortion in these supersensitive devices is possible.

MSS Connecting

BF-01 Multimedia Speaker System can be connected to virtually any audio source: DVD/CD, PC sound card, etc. and, if necessary, can be connected to an active subwoofer (see connection diagram, Fig. 2).

- Before connecting, make sure that the MSS is unplugged. Then connect the speakers to each other. For this purpose insert the connector of the audio cable built into the passive speaker into the L-SPK ⑧ input on the rear panel of the active speaker (see connection diagram, Fig. 2).
- Plug the RCA connectors of the stereo signal cable to INPUT R/L ⑤ of the MSS, and connect the mini-jack (3.5 mm) of the signal cable (included 2RCA to 3.5 mm mini-jack stereo signal cable) to the audio output (Ø 3.5 mm) of your audio source.
- To connect the MSS to CD/DVD-players, use a 2RCA to 2RCA stereo signal cable (not included) (see connection diagram, Fig. 2).
- BF-01 Multimedia Speaker System can be connected to an active subwoofer, which enables to create a 2.1 speaker system.

Note. To connect a subwoofer (not included) to the MSS, use the SUB.OUT port ⑥ on the active speaker rear panel.

- Plug the power cord ⑦ into the mains outlet. Set the volume level to its minimum by turning the VOLUME control knob ② counterclockwise until it stops.
- Shift the POWER switch ⑨ into the ON position, the power LED ① will illuminate.
- Turn on the audio source.

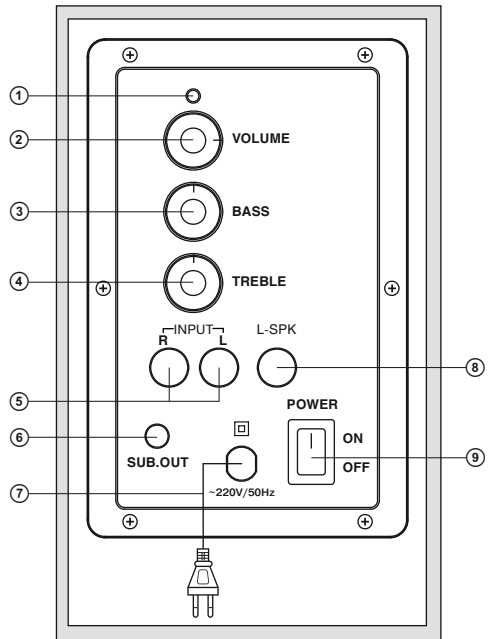


Fig. 1. Active speaker rear panel

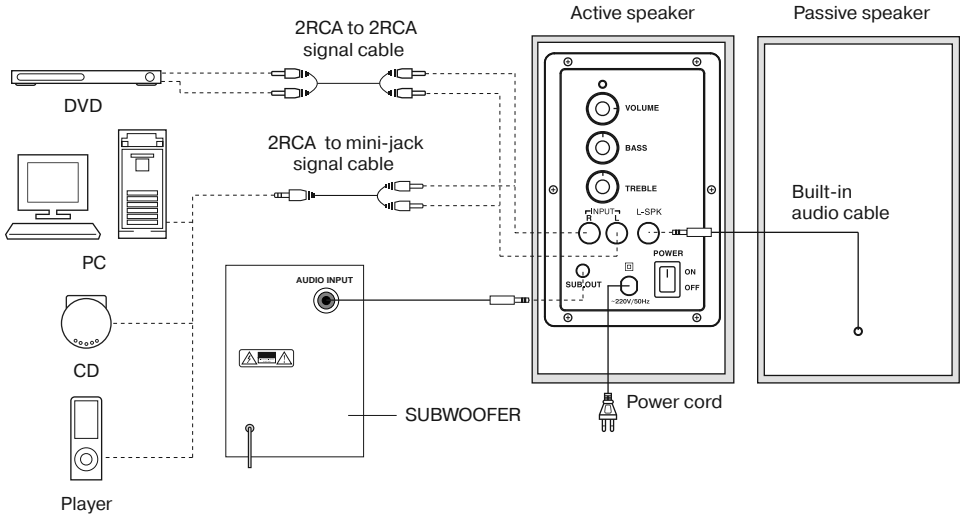


Fig. 2. Connection diagram

- Adjust the volume level by turning the VOLUME control knob ②. By turning the knob clockwise, you increase the volume level, and by turning the knob counterclockwise, you reduce it.
- Adjust the bass and treble levels by turning the TREBLE control knob ④ and the BASS control knob ③ respectively. By turning the knobs clockwise, you increase the treble/bass level, by turning the knobs counterclockwise, you reduce it.

Notes:

- After using the MSS, mind to switch it off using the POWER ⑨ switch and unplug the power cord from the mains socket.
- To improve the sound quality, use the Line-Out port of your sound card.

6. TROUBLESHOOTING

Problem	Cause	Solution
The MSS does not turn on.	The MSS is not connected to the mains outlet.	Check the connection.
	The power switch is off.	Turn on the switch.
No sound.	Volume level is set at minimum value.	Adjust volume control knob.
	The audio source is improperly connected.	Connect the audio sources correctly.
The sound of speakers is too quiet.	Volume level is set at minimum value.	Adjust the volume control knob.
Distortion of sound.	Large amplitude of the input signal.	Turn down the source volume and MSS volume.
Sound is produced by one of the channels only.	The speakers are improperly connected to the audio source.	Check the connection of speakers.

If none of the above methods can solve the problem, please seek professional advice at your nearest service center. Never attempt to repair the product yourself.

7. TECHNICAL SPECIFICATIONS

Parameter, measurement unit	Value
Output power (RMS), W	14 (2 × 7)
Frequency range, Hz	40 – 18,000
S/N ratio, dB	≥ 75
Speaker diameters, mm	
woofer	Ø 89
tweeter	Ø 25
Voltage supply, V/Hz	~220/50
Dimensions (one speaker) (W × H × D), mm	113 × 190 × 146
Weight, kg	2.9

Notes:

- **Technical specifications given in this table are supplemental information and cannot give occasion to claims.**
- **Technical specifications and package contents are subject to change without notice due to the improvement of SVEN production.**

2.0 Multimedia Speaker System

SVEN®
YOU WANT – WE CAN



Модель: BF-01

Импортер в России: ООО «СКАНДИТРЕЛ», 111024, РФ, г. Москва, ул. Авиамоторная, д. 65, стр. 1.
Уполномоченная организация в России: ООО «РТ-Ф», 105082, г. Москва, ул. Фридриха Энгельса, д. 75, стр. 5.
Условия гарантийного обслуживания смотрите в гарантийном талоне или на сайте www.sven.fi.

Гарантийный срок: 12 мес.

Срок службы: 5 лет.

Производитель: «СВЕН ПТЕ. Лимитед», 176 Джу Чиаг Роуд, № 02-02, Сингапур, 427447.

Произведено под контролем «Свен Скандинавия Лимитед», 48310, Финляндия, Котка, Котolahdentie, 15. Сделано в Китае.

Manufacturer: SVEN PTE. LTD, 176 Joo Chiat Road, № 02-02, Singapore, 427447. Produced under the control of Oy Sven Scandinavia Ltd. 15, Kotolahdentie, Kotka, Finland, 48310. Made in China.

® Registered Trademark of Oy SVEN Scandinavia Ltd. Finland.

BF-01