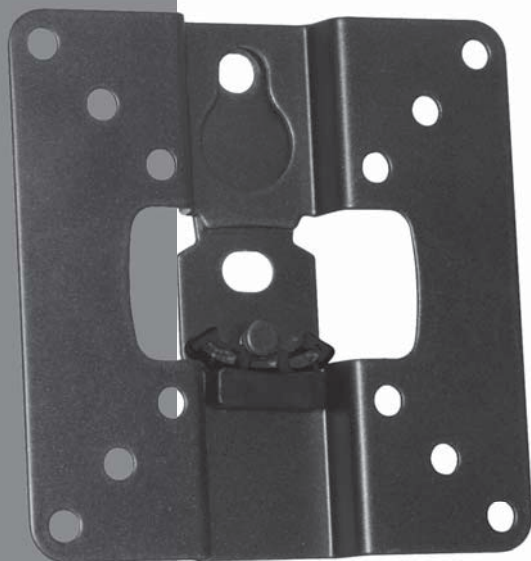


SVEN®
YOU WANT – WE CAN

Wall Mount for LED/LCD TVs
and Monitors

USER'S MANUAL



FS10-11

www.sven.fi

Congratulations on your purchase of the Sven wall mount!

COPYRIGHT

© 2015. SVEN PTE. LTD. Version 1.0 (V 1.0).

This Manual and information contained in it are copyrighted. All rights reserved.

TRADEMARKS

All trademarks are the property of their legal holders.

NOTICE OF RESPONSIBILITY RESTRICTION

Despite the exerted efforts to make this Manual more exact, some discrepancies may occur. The information in this Manual is given on "as is" terms. The author and the publisher do not bear any liability to a person or an organization for loss or damage which has arisen from the information contained in this Manual.

CONTENTS

1. BUYER RECOMMENDATIONS	1
2. APPLICATION	2
3. SAFETY PRECAUTIONS	2
4. SPECIAL FEATURES	2
5. PACKAGE CONTENTS	2
6. MOUNTING AND INSTALLATION.....	3
7. TECHNICAL SPECIFICATIONS	5

1. BUYER RECOMMENDATIONS


- Unpack the device carefully. Make sure there are no accessories left in the box. Check up the device for damage; if the product was damaged during transportation, address the firm which carried out the delivery; if the product functions incorrectly, address the dealer at once.
- Check up the package contents and availability of the warranty card. Make sure the warranty card has a shop stamp, a legible signature or the seller's stamp and purchase date, and the number of the wall mount corresponds to that in the warranty card. Remember: in case of warranty card loss or discrepancy of numbers you forfeit the right for warranty repairs.
- Before installing and using the wall mount, read this Manual carefully.

Technical support is on www.sven.fi.

2. APPLICATION

FS10-11 is designed for wall-mounting LED/LCD TV sets and monitors.

3. SAFETY PRECAUTIONS

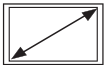
- Do not exceed the maximum load specified in the Manual to avoid accidents or damage.
- Before installing the wall mount, read this Manual carefully and follow all the instructions when installing. To ensure safe and reliable mounting, it's recommended that installation be done by qualified specialists.
- Position your mount away from internal electric wires, water and gas pipes and other dangerous objects.
- Install the mount on walls of solid brick, concrete, wood or other material providing equivalent support.
- When installing the mount on a wooden wall, drill the holes as close as possible to the center of the board to provide secure support.
- Fasten the screws until they are fixed. Do not use electric tools for this purpose.
- For safety reasons, do not install the wall mount alone. 

4. SPECIAL FEATURES

- VESA: 50 × 50/ 75 × 75/ 100 × 100 mm
- Diagonal compatibility: 10" – 26"/ 25 – 66 cm
- Slim design
- Horizontal adjustment: ~ ±3°
- Easy installation and mounting
- High-quality coating

5. PACKAGE CONTENTS

- Mount — 1 pc
- Mounting accessory kit — 1 pack
- User's Manual — 1 pc
- Warranty card — 1 pc



10" – 26"
25 – 66 cm



50 × 50 mm
75 × 75 mm
100 × 100 mm



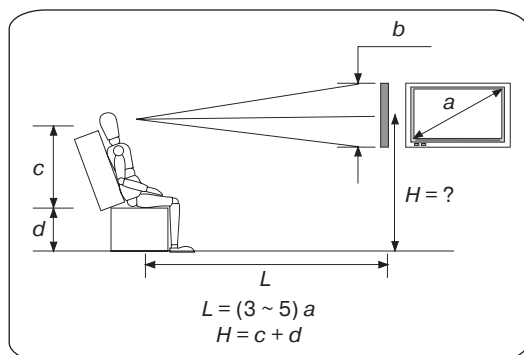
14 mm

Components and Accessory Kit

A	B	C	D	E	F	G	H	I	J
---	---	---	---	---	---	---	---	---	---

(A) (B) (C)
M4x12 M5x12 M6x12
4 pcs 4 pcs 4 pcs

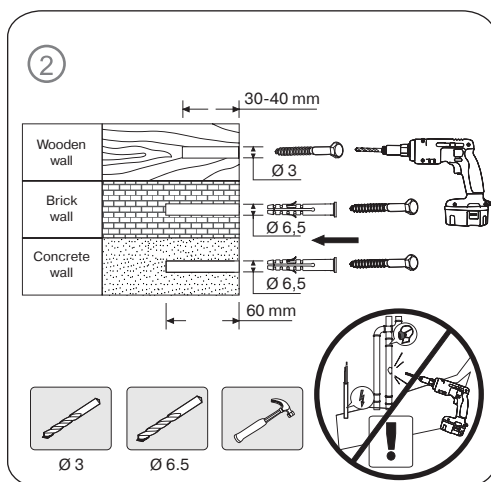
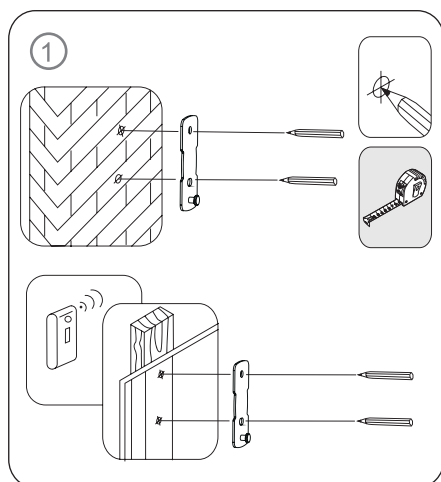
(D) (E) (F) (G) (H) (I) (J)
Ø12 × Ø4 Ø12 × Ø5 Ø12 × Ø6 ST5.5 × 50
4 pcs 4 pcs 4 pcs 2 pcs 2 pcs 4 pcs 1 pc

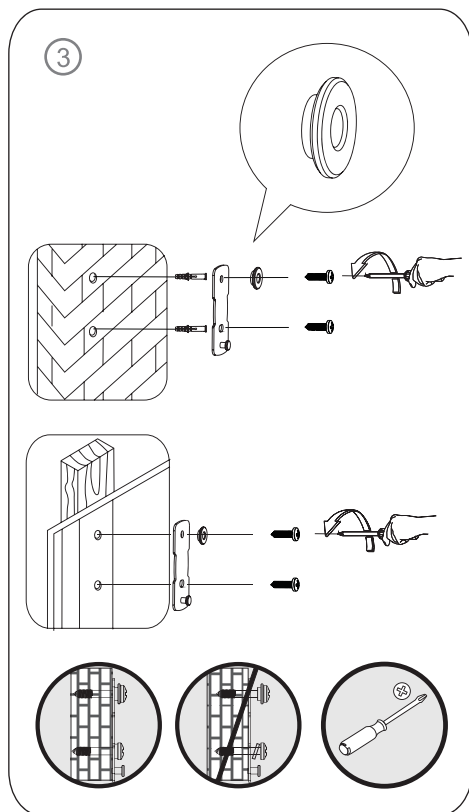


6. MOUNTING AND INSTALLATION

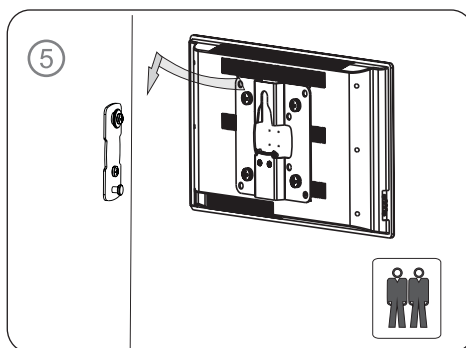
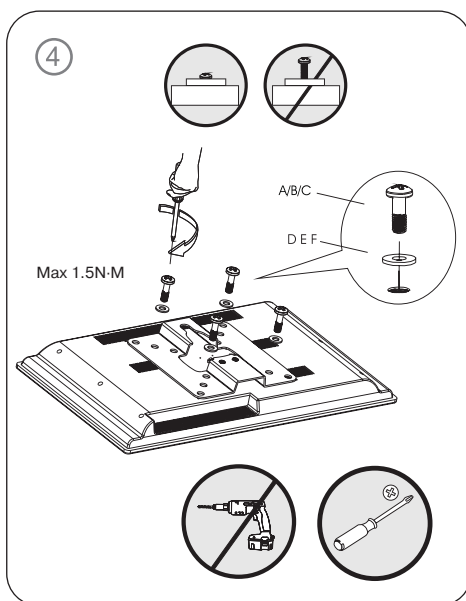
• Choose a wall to hang your mount on. It's recommended that the height H and the distance L from the viewer be calculated according to the formulas in the figures on the left.

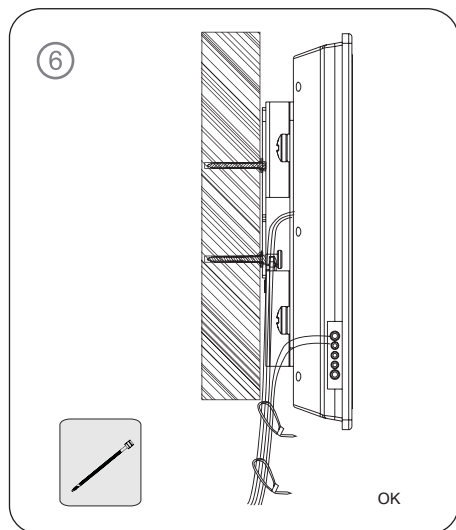
• Then, place the wall plate of the mount against the wall and mark the spots where the holes should be drilled (see Fig. ①). In a wooden wall, drill $\varnothing 3$ mm and 30-40 mm deep holes; in a brick or concrete wall, drill $\varnothing 6.5$ mm and 60 mm deep holes (Fig. ②).



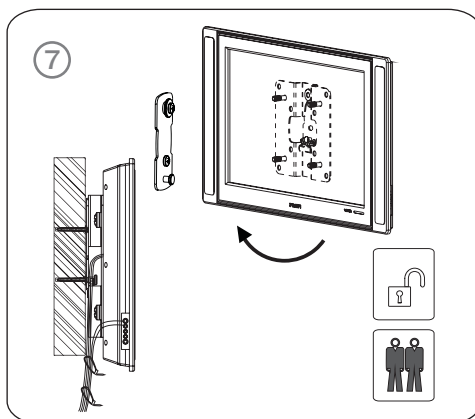


- Fix the wall plate, as shown in Fig. ③, using suitable accessories from the mounting kit.
- Fix the mounting system on the rear panel of your TV (see Fig. ④).
- Hang your TV on the wall plate, as shown in Fig. ⑤.
- For convenience, fasten the cables with ties, as shown in Fig. ⑥.





- To unmount your TV, lift it slightly and take the screw out of the hole (see Fig. 7).



7. TECHNICAL SPECIFICATIONS

Parameter, measurement unit	Value
Diagonal compatibility, inch/cm	10 – 26/25 – 66
VESA range, mm	50 × 50/75 × 75/100 × 100
Maximum load, kg	25
Mounting type	fixed
Distance from wall, mm	14
Coating type	powder

Notes:

- **Technical specifications given in this table are supplemental information and cannot give occasion to claims.**
- **Technical specifications are subject to change without notice due to the improvement of SVEN production.**

Wall Mount for LED/LCD TVs and Monitors

SVEN®
YOU WANT – WE CAN



Модель: FS10-11

Импортер в России: ООО «СКАНДИТРЕЛ»,
111024, РФ, г. Москва, ул. Авиамоторная, д. 65, стр. 1.
Уполномоченная организация в России: ООО «РТ-Ф»,
105082, г. Москва, ул. Фридриха Энгельса, д. 75, стр. 5.
Условия гарантийного обслуживания смотрите
в гарантийном талоне или на сайте www.sven.fi.

Гарантийный срок: 5 лет.

Срок службы: 15 лет.

Производитель: «СВЕН ПТЕ. Лимитед», 176
Джу Чиат Роуд, № 02-02, Сингапур, 427447.

Произведено под контролем «Свен Скандинавия
Лимитед», 48310, Финляндия, Котка,
Котolahдентие, 15. Сделано в Китае.

Manufacturer: SVEN PTE. LTD, 176 Joo Chiat Road,
№ 02-02, Singapore, 427447. Produced under the control
of Oy Sven Scandinavia Ltd. 15, Kotolahdentie, Kotka,
Finland, 48310. Made in China.

® Registered Trademark of Oy SVEN
Scandinavia Ltd. Finland.

FS10-11