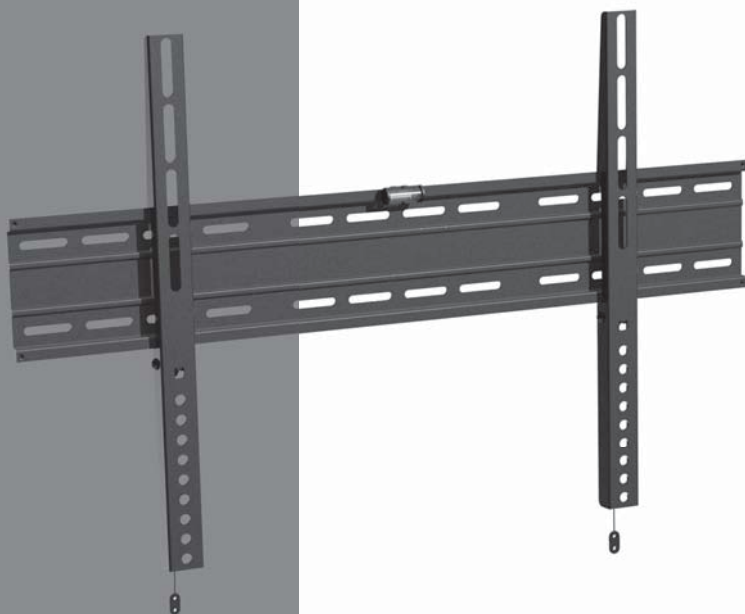


**SVEN**®  
YOU WANT – WE CAN

Wall Mount for LED/LCD/Plasma  
TVs and Monitors

## USER'S MANUAL



**F48-64**

[www.sven.fi](http://www.sven.fi)

***Congratulations on your purchase of the Sven wall mount!***

#### **COPYRIGHT**

© 2015. SVEN Company Ltd. Version 1.0 (V 1.0).

This Manual and information contained in it are copyrighted. All rights reserved.

#### **TRADEMARKS**

All trademarks are the property of their legal holders.

#### **NOTICE OF RESPONSIBILITY RESTRICTION**

Despite the exerted efforts to make this Manual more exact, some discrepancies may occur. The information in this Manual is given on «as is» terms. The author and the publisher do not bear any liability to a person or an organization for loss or damage which has arisen from the information contained in this Manual.

#### **CONTENTS**

<b>1. BUYER RECOMMENDATIONS .....</b>	<b>1</b>
<b>2. APPLICATION .....</b>	<b>2</b>
<b>3. SAFETY PRECAUTIONS .....</b>	<b>2</b>
<b>4. SPECIAL FEATURES .....</b>	<b>2</b>
<b>5. PACKAGE CONTENTS .....</b>	<b>2</b>
<b>6. MOUNTING AND INSTALLATION.....</b>	<b>3</b>
<b>7. TECHNICAL SPECIFICATIONS .....</b>	<b>5</b>

#### **1. BUYER RECOMMENDATIONS**


- Unpack the device carefully. Make sure there are no accessories left in the box. Check up the device for damage; if the product was damaged during transportation, address the firm which carried out the delivery; if the product functions incorrectly, address the dealer at once.
- Check up the package contents and availability of the warranty card. Make sure the warranty card has a shop stamp, a legible signature or the seller's stamp and purchase date, and the number of the wall mount corresponds to that in the warranty card. Remember: in case of warranty card loss or discrepancy of numbers you forfeit the right for warranty repairs.
- Before installing and using the wall mount, read this Manual carefully.

***Technical support is on [www.sven.fi](http://www.sven.fi).***

**2. APPLICATION**

F48-64 is designed for wall-mounting LED/LCD/Plasma TV sets and monitors.

**3. SAFETY PRECAUTIONS**

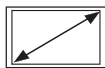
- Do not exceed the maximum load specified in the Manual to avoid accidents or damage.
- Before installing the wall mount, read this Manual carefully and follow all the instructions when installing. To ensure safe and reliable mounting, it's recommended that installation be done by qualified specialists.
- Position your mount away from internal electric wires, water and gas pipes and other dangerous objects.
- Install the mount on walls of solid brick, concrete, wood or other material providing equivalent support.
- When installing the mount on a wooden wall, drill the holes as close as possible to the center of the board to provide secure support.
- Fasten the screws until they are fixed. Do not use electric tools for this purpose.
- For safety reasons, do not install the wall mount alone. 

**4. SPECIAL FEATURES**

- VESA: 100 × 100/ 200 × 200/ 300 × 300/ 400 × 400/600 × 400 mm
- Diagonal compatibility: 32" – 55" / 81 – 140 cm
- Level included
- Space-saving slim design
- Easy installation and mounting
- High-strength polymer coating
- Security locks

**5. PACKAGE CONTENTS**

- Mount — 1 pc
- Mounting accessory kit — 1 pack
- User's manual — 1 pc
- Warranty card — 1 pc



32" – 55"  
81 – 140 cm

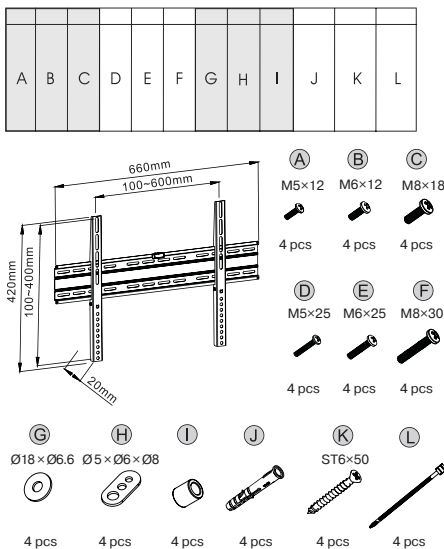


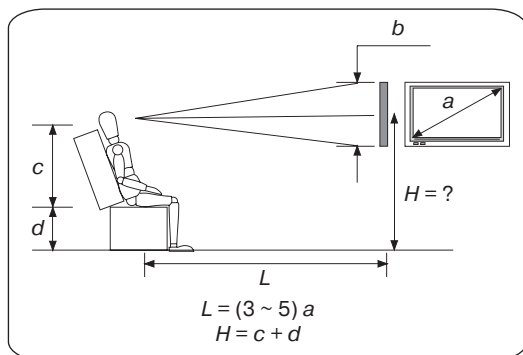
100 × 100 mm  
200 × 200 mm  
300 × 300 mm  
400 × 400 mm  
600 × 400 mm



20 mm

Components and Accessory Kit

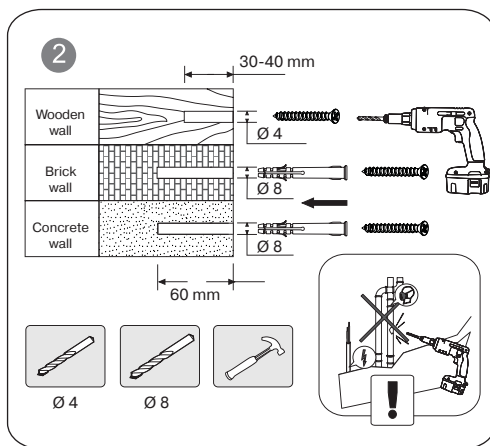
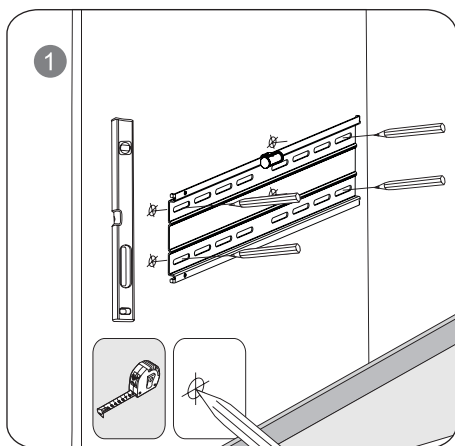


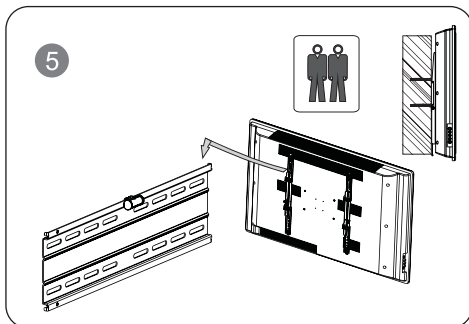
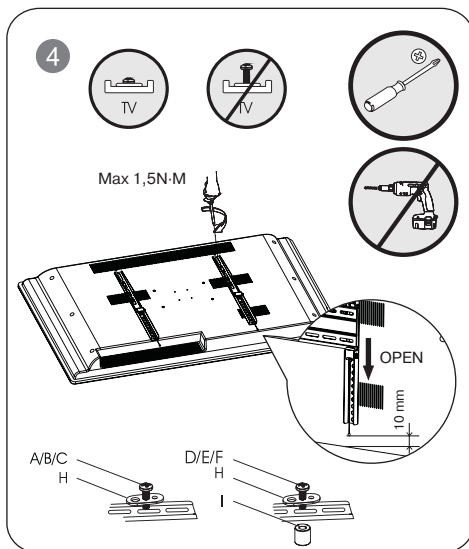
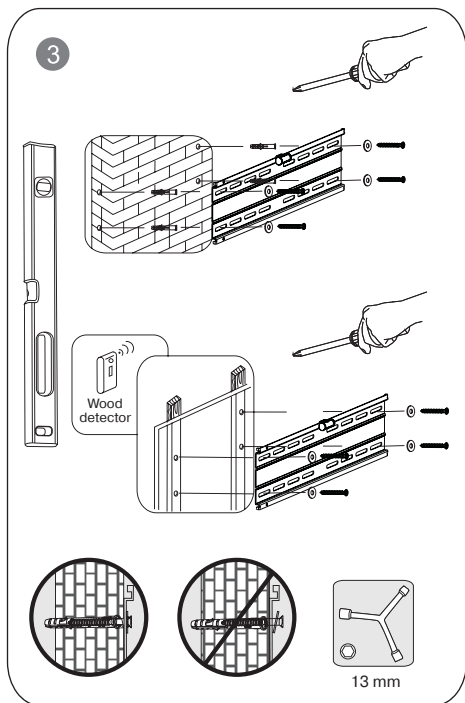


### 6. MOUNTING AND INSTALLATION

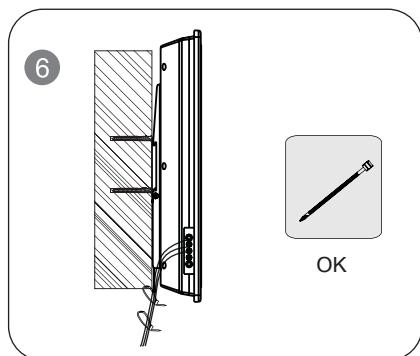
• Choose a wall to hang your mount on. It's recommended that the height  $H$  and the distance  $L$  from the viewer be calculated according to the formulas in the figures on the left.

• Then, place the mount against the wall and mark the spots where the holes should be drilled (see Fig. ①). In a wooden wall, drill  $\varnothing 4$  mm and 30-40 mm deep holes; in a brick or concrete wall, drill  $\varnothing 8$  mm and 60 mm deep holes (Fig. ②).

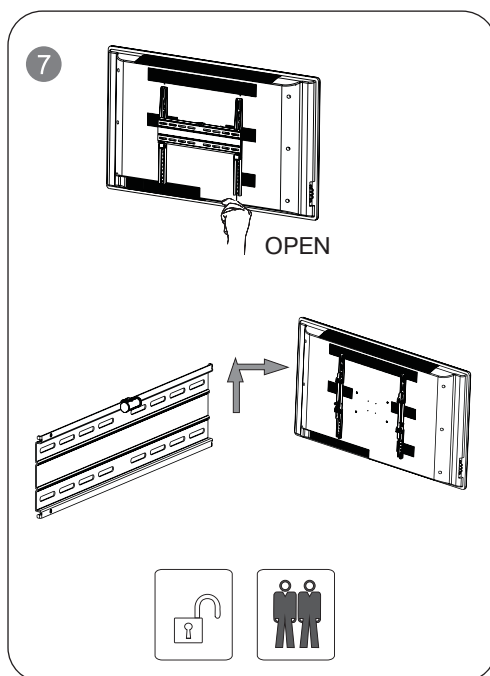




- Fix the mount on the wall using dowels (see Fig. ③).
- Fix the mounting system on the rear panel of your TV, as shown in Fig. ④, using suitable screws and washers included in the package.
- Hang your TV on the wall mount, as shown in Fig. ⑤. The security locks will snap shut.
- For convenience, fasten the cables with ties from the package, as shown in Fig. ⑥.



- To unmount your TV, release the security locks (see Fig. ⑦). Lift your TV slightly and take the mounting system out of the holes.



## 7. TECHNICAL SPECIFICATIONS

Parameter, measurement unit	Value
Diagonal compatibility, inch/cm	32 – 55/81 – 140
VESA range, mm	100 × 100/200 × 200/300 × 300/400 × 400/600 × 400
Maximum load, kg	35
Mounting type	fixed
Distance from wall, mm	20
Coating type	high-strength polymer

### Notes:

- **Technical specifications given in this table are supplemental information and cannot give occasion to claims.**
- **Technical specifications are subject to change without notice due to the improvement of SVEN production.**

## Wall Mount for LED/LCD/Plasma TVs and Monitors

**SVEN**®  
YOU WANT – WE CAN



**Модель: F48-64**

Импортер в России: ООО «СКАНДИТРЕЛ»,  
111024, РФ, г. Москва, ул. Авиамоторная, д. 65, стр. 1.  
Уполномоченная организация в России: ООО «РТ-Ф»,  
105082, г. Москва, ул. Фридриха Энгельса, д. 75, стр. 5.  
Условия гарантийного обслуживания смотрите  
в гарантийном талоне или на сайте **www.sven.fi**.  
Гарантийный срок: 5 лет.

Срок службы: 15 лет.

Производитель: «СВЕН ПТЕ. Лимитед», 176  
Джу Чиат Роуд, № 02-02, Сингапур, 427447.

Произведено под контролем «Свен Скандинавия  
Лимитед», 48310, Финляндия, Котка,  
Котолахдентие, 15. Сделано в Китае.

Manufacturer: SVEN PTE. LTD, 176 Joo Chiat Road,  
№ 02-02, Singapore, 427447. Produced under the control  
of Oy Sven Scandinavia Ltd. 15, Kotolahdentie, Kotka,  
Finland, 48310. Made in China.

® Registered Trademark of Oy SVEN  
Scandinavia Ltd. Finland.

**F48-64**