

SVEN®

Gaming Keyboard +
Mouse + Headphones
+ Mousepad Combo

USER'S MANUAL



GS-4300

www.sven.fi

Congratulations on the purchase of Sven Gaming Combo!

Please read this User's Manual before using the unit and retain this User's Manual in a safe place for future reference.

COPYRIGHT

© 2019. SVEN PTE. LTD. Version 1.0 (V 1.0).

This Manual and information contained in it are copyrighted. All rights reserved.

TRADEMARKS

All trademarks are the property of their legal holders.

UNPACKING

- Unpack the device carefully. Make sure there are no accessories left in the box. Check up the device for damage; if the product was damaged during transportation, address the firm which carried out the delivery; if the product functions incorrectly, address the dealer at once.
- Shipping and transportation equipment is permitted only in the original container.
- Does not require special conditions for realization.
- Dispose of in accordance with regulations for the disposal of household and computer equipment.

SPECIAL FEATURES

- Switchable backlight of keyboard and mouse
- Backlight adjustment and «breathable» mode
- 12 Fn shortcut buttons
- Lock Win key

PACKAGE CONTENTS

- Keyboard — 1 pc
- Mouse — 1 pc
- Headphones — 1 pc
- Mouse Pad — 1 pc
- Replacement keycaps — 8 pcs
- User's Manual — 1 pc
- Warranty card — 1 pc

SYSTEM REQUIREMENTS

- Windows XP/Vista/7/8/10.
- Free USB port.

User's Manual

GS-4300

INSTALLATION

- Connect the keyboard and mouse to an available USB port of your PC.
- Installation is automatic after its connection to a PC USB port
- Connect the headphones connectors to the audio jack of your audio source (PC sound card, laptop), as shown in Fig. 1.

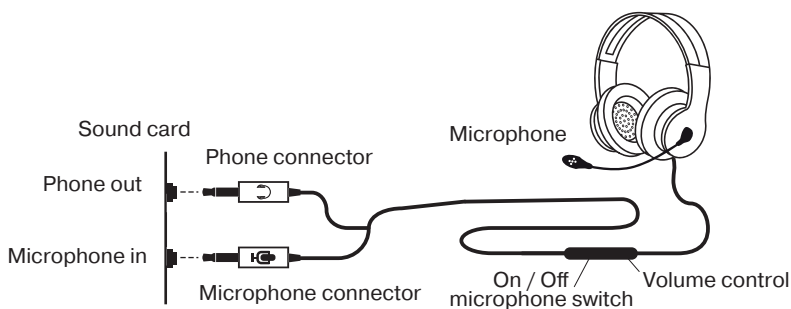


Fig. 1. Connection diagram

DESCRIPTION MOUSE

- ① Left button
- ② Right button
- ③ Scroll Wheel
- ④ DPI Switch
- ⑤ Backlight off

DESCRIPTION OF KEYBOARD QUICK ACCESS KEY FUNCTION

- Fn + F1 — Start media player
- Fn + F2 — Volume down
- Fn + F3 — Volume up
- Fn + F4 — Mute / Unmute volume
- Fn + F5 — Stop
- Fn + F6 — Go to previous track
- Fn + F7 — Play/Pause
- Fn + F8 — Go to next track
- Fn + F9 — Start default e-mail program
- Fn + F10 — Open home web page
- Fn + F11 — Keys lock
- Fn + F12 — Open calculator

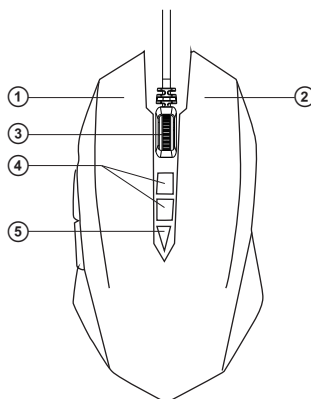


Fig. 2. Top view

SOFTWARE FOR MOUSE

The software consists of 4 main sections of settings: “Base Setting”, “Advanced Setting”, “Mac Setting”, “LED Setting”.

Software description, below – Software, contains 4 configurations: Office, Game I, Game II, Game III. Each of them can be customized according to the user’s preferences. The driver provides three control buttons: export, import, and reset configuration.

BUTTON SETTINGS

The software allows you to program 8 buttons according to the user’s preferences.

All mouse keys are signed and have default values. To change the button mode, click the row from the menu. A menu will open where you can select a new mode for the selected button.

Note: When you try to assign a left mouse button to another function without first saving the left click function on another button, a system message will pop up on the screen asking you to save the left click function.



User's Manual

GS-4300

- Left Button – left button
- Mid Button – mid button
- Right Button – right button
- Back – back
- Forward – forward
- DPI Loop – switching DPI
- Extent – additional features
- Show Desktop – show desktop
- Double click – double click
- LED LOOP – backlight mode
- DPI + – DPI switch
- DPI - – DPI switch
- MODE LOOP – selection mode
Office, Game I, Game II, Game III
- Office – office mode
- Game I – game mode I
- Game II – game mode II
- Game III – game mode III
- LED Switch – LED switch
- Wheel Change – wheel change
- Media – media
- Browser – browser
- Player – player
- Mail – starts e-mail program
- Vol+ – volume up
- Vol – volume down
- Previous – go to previous media track
- Next – go to next media track
- Mute – mute
- Play/Pause – Play/Pause
- Calculator – calculator
- Macro – macro commands are pre-programmed
- Short Cut – short cut
- Copy – copy
- Paste – paste
- My Computer – My Computer
- Undo – delete
- Lock PC – lock PC
- Close Window – close the current tab
- Select All – select all
- Find – find



After setting the required parameters, click button “Apply”. The settings will be automatically saved in the mouse’s memory.

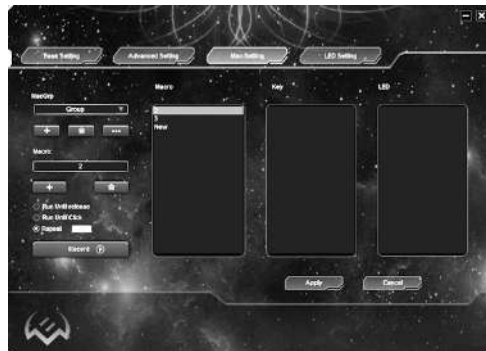
ADVANCED SETTING

The advanced settings consist of 4 parts:

- Pointer precision: with a minimum value, the accuracy of the pointer is higher.
- Wheel Speed: change the speed of scroll wheel.
- Fire Speed: speed response to left mouse click (milliseconds).
- Setting DPI: on/off number of steps DPI and value DPI at every turn.

MAC SETTING

The macro lets you write down a keyboard shortcut and assign it to the selected mouse button.



MAKING GROUPS FOR MACRO

Before you create a macro command, you must create a group for macros, for the sake of convenience of the group is better named according to the conditions of use.

Example: group Office, which will have macro commands for working in office applications, or group Game – which will have macro commands for game.

- Enter in a row “MacGrp” the name of group, then press “+”, the group name will be stored in memory.
- Button “✖”, delete group.
- Button “...” , Import (saving groups to a file), Export (loading groups from a file), Reset (reset groups).

MAKING MACRO

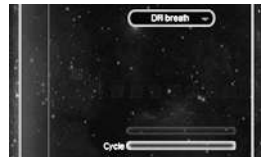
- Select from the list “MacGrp” group to which you want to save macros.
- Enter in a row “Macro” the name of macro, the macro name is displayed in “Macro” row.
- Click on the name of the macro – the row under the lights is blue.
- Click button “Record” and type in the sequence of characters that you will use in the future, then press “Stop”.

LED SETTING

LED Setting tab lets you customize the mouse backlight

- DPI breath – when switching DPI will change color
- Cycle breath – change the color of the backlight, change speed and sequence
- Constanty – backlight adjustment
- Neon – breathing mode

After setting the required parameters, click button “Apply”, to save their.



TROUBLESHOOTING

Problem	Solution
The keyboard/mouse is not working.	<ol style="list-style-type: none"> 1. Disconnect the keyboard/mouse from the PC and check connector pins for possible damage. If there is no external damage found and the connector pins are OK, connect the keyboard/mouse to the PC again. 2. Address your nearest authorized service center.

If none of the above methods can solve the problem, please seek professional advice at your nearest service center. Never attempt to repair the product yourself.

TECHNICAL SPECIFICATIONS

Parameter, measurement unit	Value
Q-ty of keyboard keys	104
Q-ty of keyboard shortcut keys	12 Fn
Q-ty of mouse buttons	7 + 1 (scroll wheel)
Keyboard layout	Rus/Ukr/Eng
OS compatibility	Windows XP/Vista/7/8/10
Interface	USB
Extrapolated mean life	more than 20,000,000 strokes
Mouse resolution, dpi	1200/2400/3200
Keyboard dimensions (W × H × L), mm	475 × 195 × 35
Mouse dimensions (W × H × L), mm	130 × 75 × 40
Mouse pad dimensions (W × H × L), mm	272 × 3 × 224
Weight, kg	1,44

Notes:

- **Technical specifications given in this table are supplemental information and cannot give occasion to claims.**
- **Technical specifications are subject to change without notice due to the improvement of SVEN production.**

Technical support is on www.sven.fi.

**Gaming Keyboard +
Mouse + Headphones
+ Mousepad Combo**

SVEN®



Model: GS-4300

Импортер в России: ООО «РЕГАРД», 105082,
г. Москва, ул. Фридриха Энгельса, д. 75, стр. 5.
Уполномоченная организация в России: ООО «РТ-Ф»,
105082, г. Москва, ул. Фридриха Энгельса, д. 56, стр. 1.
Условия гарантийного обслуживания смотрите в
гарантийном талоне или на сайте www.sven.fi.
Гарантийный срок: 12 мес. Срок службы: 2 года.
Производитель: «СВЕН ПТЕ. Лимитед»,
176 Джу Чиат Роуд, № 02-02, Сингапур, 427447.
Произведено под контролем «Свен Скандинавия
Лимитед», 48310, Финляндия, Котка,
Котолахдентие, 15. Сделано в Китае.

Manufacturer: SVEN PTE. LTD, 176 Joo Chiat Road,
№ 02-02, Singapore, 427447. Produced under the
control of Oy Sven Scandinavia Ltd. 15, Kotolahdentie,
Kotka, Finland, 48310. Made in China.

© Registered Trademark of Oy SVEN
Scandinavia Ltd. Finland.



GS-4300