

SVEN[®]
YOU WANT – WE CAN

Wireless Combo Set
Keyboard + Mouse

USER'S MANUAL



**COMFORT
4400W**

www.sven.fi

Congratulations on your purchase of the Sven Multimedia Keyboard!

Please read this User's Manual before using the unit and retain this User's Manual in safe place for future reference.

COPYRIGHT

© 2013. SVEN PTE. LTD. Version 1.0 (V 1.0).

This Manual and information contained in it are copyrighted. All rights reserved.

TRADEMARKS

All trademarks are the property of their legal holders.

NOTICE OF RESPONSIBILITY RESTRICTION

Despite the exerted efforts to make this Manual more exact, some discrepancies may occur. The information of this Manual is given on «as is» terms. The author and the publisher do not bear any liability to a person or an organization for loss or damages which have arisen from the information, contained in the given Manual.

UNPACKING

Unpack the device carefully. Make sure there are no accessories left in the box. Check up the device for damages; if the product was damaged during transportation, address the firm which carried out the delivery; if the product functions incorrectly, address the dealer at once.

CONTENTS

1. SPECIAL FEATURES	2
2. PACKAGE CONTENTS	2
3. SYSTEM REQUIREMENTS	2
4. INSTALLATION	2
5. CONNECTION	3
6. DESCRIPTION OF SHORTCUT KEYS FUNCTIONS	3
7. TROUBLESHOOTING	3
8. TECHNICAL SPECIFICATION	4

1. SPECIAL FEATURES

- Modern slim design, high quality, economical solution
- Wireless mouse with 5 buttons and a scroll wheel included
- Resolution 1000 dpi
- 2.4 GHz USB Nano receiver
- Coverage range up to 10 m
- Automatic detection not requiring matching of receiver with pointing device
- Compatible with Windows XP/Vista/7/8
- USB Interface
- High-quality membrane
- 14 shortcut buttons to Internet and Multimedia

2. PACKAGE CONTENTS

- Wireless keyboard — 1 pc
- Wireless mouse — 1 pc
- 2.4 GHz USB Nano receiver — 1 pc
- AAA type batteries — 4 pcs
- User's manual — 1 pc
- Warranty card — 1 pc

3. SYSTEM REQUIREMENTS

- Windows XP/Vista/7/8, MacOS 10.4 or higher, Linux
- Free USB port

4. INSTALLATION

- Open the cover of the mouse battery compartment, insert two AAA type batteries into the battery compartment matching polarity, and close the cover of the battery compartment (see Fig. 1).
- Open the cover of the battery compartment at the bottom of the keyboard, insert two AAA type batteries matching polarity, and close the cover of the battery compartment.



During installation of batteries please match polarity. Incorrect polarity can cause malfunction of the device, which gives no claims for warranty servicing.



Always install only the same type batteries, because installation of different types of batteries with different level of charge can cause leaking of one of the batteries, which can damage the device.

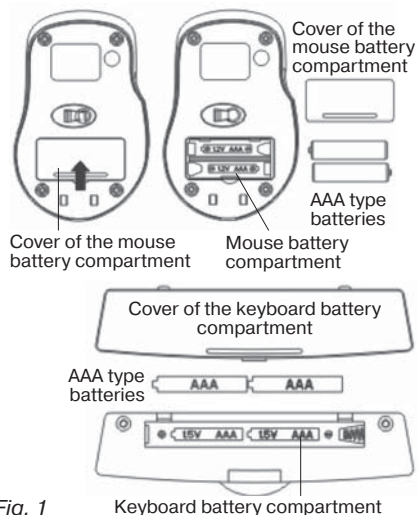


Fig. 1

Keyboard battery compartment

5. CONNECTION

- Connect the 2.4 GHz USB Nano receiver to a free USB port of the keyboard. The distance between the keyboard and the USB Nano receiver should be not more than 6-8 m.
- To activate the set, press any button of the mouse or turn the scroll wheel. If the set has been connected correctly, it will turn on automatically.
- For setting the mouse press at the same time the right button and the scroll wheel and by holding them pull out and insert the 2.4 GHz Nano receiver to the USB port. For setting the keyboard press at the same time «ESC» and «Q» keys and while holding them, pull out and insert the 2.4 GHz receiver to the USB port.

6. DESCRIPTION OF SHORTCUT KEYS FUNCTIONS

	Open home web page		Open My Favorites
	Start default e-mail program		Go to search page
	Refresh		Stop downloading web page
	Start media player		Start/Pause playback of media track
	Go to previous media track		Go to next media track
	Volume control		Mute/turn on sound volume
	Turn off media player		Start/Close Calculator
	Open My Computer		

Notes:

- **Do not place the receiver in metal confined space (drawer of the table, box, safe). Metal screen does not transmit radio signals.**
- **If batteries run down, there will be «lapses» in operation of the mouse or keyboard. In such case replace the batteries with new ones.**
- **If there is a long pause in operation of the mouse or keyboard, they enter sleeping mode. To enter operation mode just press any button.**

7. TROUBLESHOOTING

Problem	Solution
The keyboard and mouse are not working.	<ol style="list-style-type: none"> 1. Check whether the batteries have been installed correctly. If necessary, replace the batteries with new ones matching polarity . 2. Pull out the USB receiver and insert it back to make sure that it is not damaged. 3. Reprogram the USB Nano receiver using the software you can download at www.sven.fi . 4. We recommend to address your nearest service center.
Problems with using additional shortcut keys of the keyboard.	We recommend to address your nearest authorized service center.

If none of the above methods can solve the problem, please seek professional advice at your nearest service center. Never attempt to repair the product yourself.

8. TECHNICAL SPECIFICATION

Parameter, measurement unit	Value
Q-ty of keyboard keys	105 + 14 shortcut keys
Q-ty of mouse buttons	5 + 1
Volume control	available
Keyboard layout	Rus/Ukr/Eng
OS required	Windows XP/Vista/7/8
Interface	USB
Extrapolated mean life	more than 20,000,000 strokes
Coverage range, m	up to 10
Mouse resolution, dpi	1000
Frequency, GHz	2.4
Keyboard dimensions (W × H × L), mm	490 × 20 × 180
Mouse dimensions (W × H × L), mm	118 × 42 × 75
Weight of keyboard and mouse, g	803 + 80

Notes:

- **Technical specification given in this table is supplemental information and cannot give occasion to claims.**
- **Technical specification is subject to change without notice due to improvement of SVEN production.**

Wireless Combo Set Keyboard + Mouse

SVEN®
YOU WANT – WE CAN



Модель: **COMFORT 4400 Wireless**

Импортер в России: ООО «СКАНДИТРЕЛ», 111024, РФ, г. Москва, ул. Авиамоторная, д. 65, стр. 1.

Уполномоченная организация в России: ООО «РТ-Ф», 105082, г. Москва, ул. Фридриха Энгельса, д. 75, стр. 5.

Условия гарантийного обслуживания смотрите в гарантийном талоне или на сайте **www.sven.fi**.

Гарантийный срок: 12 мес. Срок службы: 2 года.

Производитель: «СВЕН ПТЕ. Лимитед», 176 Джу Чиат Роуд, № 02-02, Сингапур, 427447.

Произведено под контролем «Свен Скандинавия Лимитед», 48310, Финляндия, Котка, Котolahdentie, 15. Сделано в Китае.

Manufacturer: SVEN PTE. LTD., 176 Joo Chiat Road, № 02-02, Singapore, 427447. Produced under the control of Oy Sven Scandinavia Ltd. 15, Kotolahdentie, Kotka, Finland, 48310. Made in China.

© Registered Trademark of Oy SVEN
Scandinavia Ltd. Finland.

**COMFORT
4400W**