

**SVEN**®  
YOU WANT – WE CAN

Wireless Stereo Headphones  
with Microphone

## USER'S MANUAL



**AP-B450MV**

[www.sven.fi](http://www.sven.fi)

***Congratulations on your purchase of the SVEN stereo headphones!***

### **COPYRIGHT**

© 2014. SVEN PTE. LTD. Version 1.0 (V 1.0).

This Manual and information contained in it are copyrighted. All rights reserved.

### **APPLICATION**

SVEN AP-B450MV wireless stereo headphones with microphone are designed for operation with PC, notebooks and other mobile devices by means of data transfer via Bluetooth protocol. They can be also used in internet telephony, during video conferences, in multimedia applications, in interactive games, for speech recognition and foreign language teaching.

### **PACKAGE CONTENTS**

- Stereo headphones – 1 pc
- Detachable audio cable – 1 pc
- USB power cord to micro USB – 1 pc
- User's Manual – 1 pc
- Warranty card – 1 pc



### **SAFETY PRECAUTIONS**

- Don't use the stereo headphones while driving.
- Don't use the stereo headphones at high volume for a long time (more than 15 minutes), as this may cause hearing impairment.

### **SPECIAL FEATURES**

- 4.1 Bluetooth wireless signal transmission
- Track switching control possibility
- Call acceptance function
- Wired/wireless audio signal transmission
- Battery operation time up to 10 hours
- Radius of operation up to 10 m

### DESCRIPTION

- ① Microphone
- ② IN: audio cable jack
- ③ : micro USB jack for battery charging
- ④ Control joystick
- ⑤ : headphones on/off and call control button
- ⑥ LED indicator

### CONNECTION AND OPERATION

**Attention! The built-in battery must be charged completely prior to the headphones application.**

#### Headset charging

- Connect the headphones to a USB port of PC or USB charger using USB/micro USB cable (included). During battery charging the indicator ⑥ is red.
- When the device is charged in full, the indicator ⑥ lights up blue.
- There is a short periodic double beep signal when the battery charge level is low and the LED indicator ⑥ will be blue or red alternately.
- The battery in the headphones is used as an integral part of the device, therefore do not try to extract or replace it, because this can result in the warranty cancellation or the device damage.

#### Device switching on/off

- In order to turn on the headphones press and hold the button ⑤ before you hear a beep signal. When the device is turned on, the LED indicator ⑥ will start blinking blue. In order to turn off the device, press once more and hold the button ⑤ before you hear a beep signal. When the device is turned off, the LED indicator ⑥ will blink red.

#### Control buttons

When connected to a telephone:

- in order to receive an incoming call press the button ⑤; press the button ⑤ once again to finish the call;
- when the button ⑤ is pressed shortly twice, the call function of the last number dialed\* is switched on;

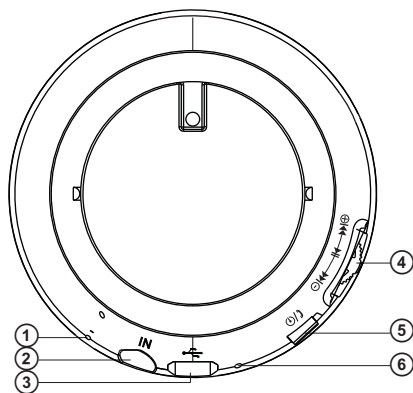


Fig. 1. Headphones design

- when the button ⑤ is pressed shortly three times, the call rejection function\* is turned on\*;
- long displacement of the joystick ④ (+/-) – change of the volume level;
- short displacement of the joystick ④ (⏮, ⏭) – switching between musical tracks of the media player of a connected device\*\*;
- short press of the joystick ④ (⏸) – Playback/Pause of the media player of a connected device\*\*.

\* Depending on telephone/smartphone configuration.

\*\* Depending on a program of the media player.

### Bluetooth technology

• Wireless data transfer via the Bluetooth protocol enables to connect wireless headphones to compatible devices. Maximum radius of action of data transfer is 10 m. Such obstacles as walls or other electronic devices can interfere with the signal transfer.

### Headset to a device interfacing

- It is necessary first to interconnect the device with a signal source (see the connection diagram in Fig. 2) to transfer signals via Bluetooth. To do this, turn on the headset, without releasing the button ⑤ wait for starting the search mode – the LED indicator ⑥ will alternate blue light with red one.
- It is necessary to select the search mode of devices with Bluetooth on a signal source (telephone, notebook, smartphone, etc.). “SVEN AP-B450MV” message will be displayed on the screen, which is to be connected to\*.
- If connection is successful, there will be a short beep signal in the headphones; the search mode indication on the headphones is over. If no devices is connected, the search mode will be turned off automatically in three minutes and the headphones will go to the standby mode. If the device interfacing has

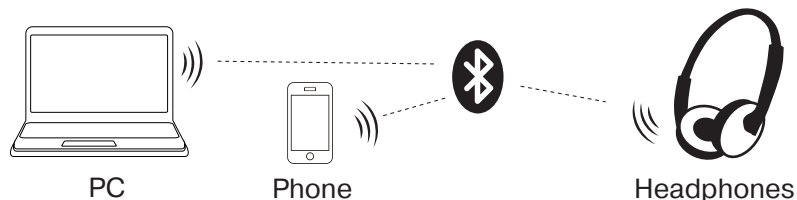


Fig. 2. Connection diagram

been failed, it is necessary to switch the system in the search mode once more (turn off and on)\*\*.

- The indicator ⑥ on the headphones blinks blue short during the data exchange with a device connected via Bluetooth.

\* You might have to enter “0000” code to connect some models of devices via Bluetooth.

\*\* If the item has been already registered in the device list of a source, then the second search mode activation is not obligatory. Choose only the item name “SVEN AP-B450MV” and the “connect” command on the source.

### The use in the wired mode

- The device can be used as stereo headphones, if you connect them to a sound source with the included cable via jack IN ②. In this case it is not necessary to turn on/off them. However, in this mode control elements and the microphone on the cup will not be active.

### TECHNICAL SPECIFICATIONS

Parameter, measurement unit	Value
Sensitivity, dB	headphones: 105 ± 3 microphone: -58 ± 2
Frequency range, Hz	headphones: 20 – 20,000 microphone: 30 – 16,000
Impedance, Ohm	16
Membrane, mm	Ø 40
Connection type	4.1 Bluetooth
Bluetooth supported profiles	HSP, HFP, A2DP, AVRCP
Radius of operation, m	up to 10
Operation time, h	up to 10
Connector type	Ø 3.5 mm (3 pin) plug
Cable length, m	1.2
Weight, g	180

**Notes.** *Technical specifications given in this table are supplemental information and cannot give occasion to claims. Technical specifications and package contents are subject to change without notice due to the improvement of SVEN production.*

**Technical support is on [www.sven.fi](http://www.sven.fi).**

## Wireless Stereo Headphones with Microphone

**SVEN**®  
YOU WANT – WE CAN



**Модель: AP-B450MV**

Импортер в России: ООО «СКАНДИТРЕЛ», 111024, РФ,  
г. Москва, ул. Авиамоторная, д. 65, стр. 1.

Уполномоченная организация в России: ООО «РТ-Ф»,  
105082, г. Москва, ул. Фридриха Энгельса, д. 75, стр. 5.

Условия гарантийного обслуживания смотрите  
в гарантийном талоне или на сайте **www.sven.fi**.

Гарантийный срок: 12 мес.

Срок службы: 2 года.

Производитель: «СВЕН ПТЕ. Лимитед»,  
176 Джу Чиат Роуд, № 02-02, Сингапур, 427447.

Произведено под контролем «Свен Скандинавия  
Лимитед», 48310, Финляндия, Котка,  
Котолахдентие, 15. Сделано в Китае.

Manufacturer: SVEN PTE. LTD, 176 Joo Chiat Road,  
№ 02-02, Singapore, 427447. Produced under the  
control of Oy Sven Scandinavia Ltd. 15, Kotalahdentie,  
Kotka, Finland, 48310. Made in China.

® **Registered Trademark of Oy SVEN**  
**Scandinavia Ltd. Finland.**

**AP-B450MV**