

**SVEN**®  
YOU WANT - WE CAN

Wireless Stereo Headphones  
with Microphone

## USER'S MANUAL



**AP-B570MV**

**[www.sven.fi](http://www.sven.fi)**

***Congratulations on your purchase of the SVEN stereo headphones!***

#### **COPYRIGHT**

© 2015. SVEN PTE. LTD. Version 1.0 (V 1.0).

This Manual and information contained in it are copyrighted. All rights reserved.

#### **APPLICATION**

SVEN AP-B570MV wireless stereo headphones with microphone are designed for operation with PC, notebooks and other mobile devices by means of data transfer via Bluetooth protocol. They can be also used in internet telephony, during video conferences, in multimedia applications, in interactive games, for speech recognition and foreign language teaching.

#### **PACKAGE CONTENTS**

- Stereo headphones – 1 pc
- USB to micro USB power cable – 1 pc
- Ø 3,5 mm (3 pin) detachable audio cable – 1 pc
- User's Manual – 1 pc
- Warranty card – 1 pc


#### **SAFETY PRECAUTIONS**

- Don't use the stereo headphones while driving.
- Don't use the stereo headphones at high volume for a long period of time (more than 15 minutes), as this may cause hearing impairment.

#### **SPECIAL FEATURES**

- Compatibility with PC, media players, mobile devices
- 4.0 Bluetooth wireless signal transmission
- Incoming calls control possibility (when operating with a mobile telephone)
- Wired / wireless audio signal transmission
- Control of tracks and volume level when listening to music
- Convenient folding case design
- High protein ear cushions
- Standard micro USB port to charge headphones
- Battery operation time up to 25 hours
- Radius of operation up to 10 m

**DESCRIPTION**

- ① : button to turn on/off headphones (long pressing); to search an interfacing device (long pressing, as long as indicator ④ will not start to alternate blue and red lighting); to Play / Pause (short pressing in Bluetooth mode); to control calls (short pressing in Bluetooth mode)
- ② +: volume level increase (short pressing); next track (long pressing, ~2 sec.)
- ③ -: volume level decrease (short pressing); previous track (long pressing, ~2 sec.)
- ④ LED indicator
- ⑤ 3.5 mm (3 pin) connector for audio cable
- ⑥ Microphone
- ⑦ Battery charge indicator
- ⑧ Micro USB port for charging

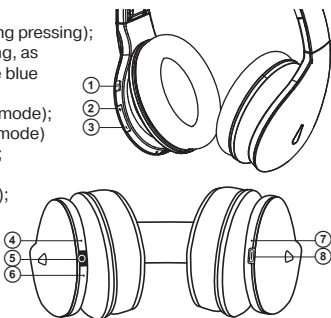


Fig. 1. Headphones design

**CONNECTION AND OPERATION**

**Attention!** The built-in battery must be charged completely prior to the headphones application.

**Headset charging**

- Connect the headphones to a USB port of PC or USB charger using USB to micro USB cable (included). During battery charging the indicator ⑦ is red.
- When the device is charged in full, the indicator ⑦ is off.
- There is a short periodic triple beep signal when the battery charge level is low and the LED indicator ④ is red.
- The battery in the headphones is used as an integral part of the device, therefore do not try to extract or replace it, because this can result in the warranty cancellation or the device damage.

**Device turning on/off**

- In order to turn on the headphones press and hold the button ① before you hear a beep signal. When the device is turned on, the LED indicator ④ will start blinking blue. In order to turn off the device, press once more and hold the button ① before you hear a beep signal. When the device is turned off, the LED indicator ④ will blink red.

**Control buttons**

When connected to a telephone:

- in order to accept an incoming call press button ①. Press button ① once again to finish the call;

- in order to drop an incoming call press and hold button ① (for ~2 sec.)\*;
- when button ① is pressed shortly twice, the call function of the last number dialed\* is switched on;

\* Depending on telephone/smartphone configuration.

### Bluetooth technology

• Wireless data transfer via the Bluetooth protocol enables to connect wireless headphones to compatible devices. Maximum radius of action of data transfer is 10 m. Such obstacles as walls or other electronic devices can interfere with the signal transfer.

### Headphones to a device interfacing

- It is necessary first to interconnect the device with a signal source (see the connection diagram in Fig. 2) to transfer signals via Bluetooth. To do this, turn on the headphones without releasing button ① and wait for starting the search mode – LED indicator ④ will alternate blue light with red one.
- It is necessary to select the search mode of devices with Bluetooth on a signal source (telephone, notebook, smartphone, etc.). “SVEN AP-B570MV” message will be displayed on the screen, which is to be connected to\*.
- If connection is successful, there will be a short beep signal in the headphones, LED indicator ④ is blue. If no device is connected, the headphones will be turned off automatically in ten minutes. If the device interfacing has been failed, it is necessary to switch the system in the search mode once more (turn off and on)\*\*.
- Indicator ④ on the headphones blinks blue short during the data exchange (music listening) with a device connected via Bluetooth.

\* You might have to enter “0000” code to connect some models of devices via Bluetooth.

\*\* If the item has been already registered in the device list of a source, then the second search mode activation is not obligatory. Choose only the item name “SVEN AP-B570MV” and the “connect” command on the source.



Fig. 2. Connection diagram

**The use in the wired mode**

- The device can be used as stereo headphones. For this purpose connect the stereo headphones when off to audio source through jack ⑤ using the included cable from the package. In the wire mode, the stereo headphones are controlled with the help of an audio source only. The handsfree talking function is not supported in this mode.

**TECHNICAL SPECIFICATIONS**

Parameter, measurement unit	Value
Sensitivity, dB	headphones: 100 microphone: -42
Frequency range, Hz	headphones: 20 – 20,000 microphone: 100 – 10,000
Impedance, Ohm	32
Membrane, mm	Ø 40
Connection type	4.0 Bluetooth or wired mini-jack Ø 3,5 mm (3 pin)
Bluetooth supported profiles	HSP, HFP, A2DP, AVRCP
Radius of operation, m	up to 10
Operation time, h	up to 25
Power supply:	
Li-ion battery, mAh	400
USB, V	DC 5
Connector type	Ø 3.5 mm (3 pin) plug
Cable length, m	1.5
Weight, g	209

**Notes.** *Technical specifications given in this table are supplemental information and cannot give occasion to claims. Technical specifications and package contents are subject to change without notice due to the improvement of SVEN production.*

**Technical support is on [www.sven.fi](http://www.sven.fi).**

## Wireless Stereo Headphones with Microphone

**SVEN**®  
YOU WANT – WE CAN



**Модель: AP-B570MV**

Импортер в России: ООО «СКАНДИТРЕЛ», 111024, РФ,  
г. Москва, ул. Авиамоторная, д. 65, стр. 1.

Уполномоченная организация в России: ООО «РТ-Ф»,  
105082, г. Москва, ул. Фридриха Энгельса, д. 75, стр. 5.

Условия гарантийного обслуживания смотрите  
в гарантийном талоне или на сайте [www.sven.fi](http://www.sven.fi).

Гарантийный срок: 12 мес.

Срок службы: 2 года.

Производитель: «СВЕН ПТЕ. Лимитед»,  
176 Джу Чиат Роуд, № 02-02, Сингапур, 427447.

Произведено под контролем «Свен Скандинавия  
Лимитед», 48310, Финляндия, Котка,  
Котolahdentie, 15. Сделано в Китае.

Manufacturer: SVEN PTE. LTD, 176 Joo Chiat Road,  
№ 02-02, Singapore, 427447. Produced under the  
control of Oy Sven Scandinavia Ltd. 15, Kotolahdentie,  
Kotka, Finland, 48310. Made in China.

© Registered Trademark of Oy SVEN  
Scandinavia Ltd. Finland.

**AP-B570MV**