

SVEN[®]

5.1 Active Home Theater
Speaker System with Bluetooth

USER MANUAL



HT-210

www.sven.fi



Congratulations on your purchase of the Sven speaker system!

COPYRIGHT

© SVEN PTE. LTD. Version 2.0 (06.12.2021).

This Manual and information contained in it are copyrighted. All rights reserved.

TRADEMARKS

All trademarks are the property of their legal holders.

NOTICE OF RESPONSIBILITY RESTRICTION

Despite the exerted efforts to make this Manual more exact, some discrepancies may occur. The information in this Manual is given on «as is» terms. The author and the publisher do not bear any liability to a person or an organization for loss or damage which has arisen from the information contained in this Manual.

CONTENTS

ENG 2

1. BUYER RECOMMENDATIONS..... 2

2. PACKAGE CONTENTS..... 3

3. SAFETY PRECAUTIONS..... 3

4. TECHNICAL DESCRIPTION 3

5. PREPARATION AND OPERATION..... 6

6. TROUBLESHOOTING..... 12

7. TECHNICAL SPECIFICATIONS 13

RUS..... 14

UKR 26

1. BUYER RECOMMENDATIONS

- Unpack the device carefully. Make sure there are no accessories left in the box. Check up the device for damage; if the product was damaged during transportation, address the firm which carried out the delivery; if the product functions incorrectly, address the dealer at once.
- Check up the package contents and availability of the warranty card. Make sure the warranty card has a shop stamp, a legible signature or the seller's stamp and purchase date, and the number of the wall mount corresponds to that in the warranty card. Remember: in case of warranty card loss or discrepancy of numbers you forfeit the right for warranty repairs.
- Do not switch on the speaker system immediately after you bring it into a room from environment with negative temperature! After unpacking, the speaker system should be kept in conditions of room temperature for at least 4 hours.
- Before installing and using the speaker system, read this Manual carefully and keep it for future reference.

Technical support is on www.sven.fi.

2. PACKAGE CONTENTS

- Subwoofer — 1 pc
- Satellites — 5 pcs
- Remote control (RC) — 1 pc
- RC batteries (AAA type) — 2 pcs
- FM antenna — 1 pc
- Audio cables — 5 pcs
- Optical cable — 1 pc
- 2RCA to mini-jack (Ø 3.5 mm) signal cables — 3 pcs
- Satellite wall-mounting set — 6 pcs
- Operation manual — 1 pc
- Warranty card — 1 pc

3. SAFETY PRECAUTIONS



Caution! High voltage inside! To avoid the risk of electric shock do not open or touch elements inside.

- To avoid electric shock, do not open the HTSS and do not perform repairs by yourself. Service and repairs should be performed only by qualified specialists in an authorized service center. The list of authorized service centers is available on www.sven.fi.
- Do not allow the circuit of the wires (including the grounded ones) between the speakers, on the power amplifier or the ground, for it causes damage to the power amplifier output stage.
- Do not touch the HTSS power cord plug pins for 2 seconds after unplugging it from the mains.
- Do not put foreign objects inside the holes of the HTSS.
- Protect the HTSS from high humidity, water and dust.
- Protect the HTSS from heating: do not locate it near heating appliances or expose to direct sunlight.
- Do not place sources of open flame on or near the HTSS.
- Do not place the HTSS in poorly ventilated areas. Leave an air gap of 10 cm or more. When operating the HTSS, do not put any devices on it, do not cover it with cloth or other objects preventing it from cooling.
- Do not clean the HTSS with chemicals, use dry soft cloth only.

4. TECHNICAL DESCRIPTION

HT-210 5.1 Home Theater Speaker System (HTSS) is designed for creating a home theater. The multichannel 5.1 amplifier built into the subwoofer enables to connect the HTSS to virtually any audio source.

HTSS special features

Wireless signal transmission via Bluetooth.

- FM radio.
- LED display.
- Conversion of stereo signal to 5.1.
- USB-flash and SD card playback support.
- Digital optical and coaxial inputs.
- Built-in clock.

- Remote control.
- Two-band satellites for detailed playback of high frequencies.
- Wall mountable satellites.
- Wooden body (MDF).

HTSS design

Subwoofer control panels

- ① LED display.
- ② IR: IR receiver.
- ③ SD/MMC CARD: slot for SD/MMC cards* containing MP3 audio files.
- ④ USB: slot for a USB flash device* containing MP3 audio files.
- ⑤ ◀/CH-: previous track (pressed short in the Player mode); previous station** (pressed short in the Tuner mode).
- ⑥ ▶/AUTO: play/pause (pressed short in the Player mode); start/stop auto scan (pressed short in the Tuner mode).
- ⑦ ▶▶/CH+: next track (pressed short in the Player mode); next station** (pressed short in the Tuner mode).
- ⑧ INPUT/VOLUME +/-: turn on (turn knob to the right/left) and volume control; turn off (long press); input switching, OPT/COX/DVD/AUX/PC/FM/MP3/Bluetooth (short press).
- ⑨ OPTICAL INPUT: connector for optical input.
- ⑩ COAXIAL INPUT: coaxial input jacks.
- ⑪ FM ANT: FM antenna input jack.
- ⑫ PC: PC input jacks.
- ⑬ AUX: line input jacks.
- ⑭ DVD: DVD input jacks.
- ⑮ ON/OFF: power switch.
- ⑯ AUDIO OUTPUT: satellite output terminals.
- ⑰ Power cord.

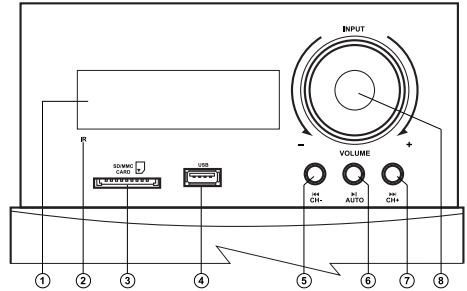


Fig. 1. Subwoofer control panel

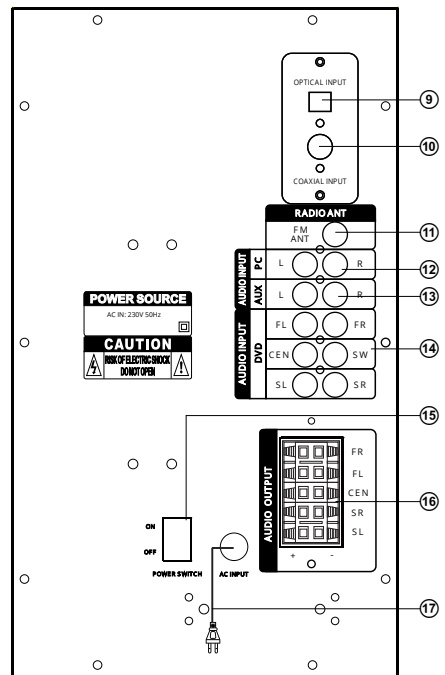


Fig. 2. Subwoofer rear panel

User Manual

Remote control

① INPUT: the MSS mode selection (OPT/COX/DVD/AUX/PC/FM/MP3/Bluetooth).

② SET: time setting (in the ST-BY mode).

③ TUNE+/-: manual band scanning buttons (in the Tuner mode).

④ CH-/◀◀/CH+/▶▶: previous/next track (in the Player mode) previous/next station* (in the Tuner mode).

⑤ AUTO/▶▶: start auto scanning and memorizing stations in FM band (in the Tuner mode); play/pause (pressed short in the Player mode).

⑥ FL-/+: left front channel volume up/down.

⑦ SW+/-: subwoofer volume up/down.

⑧ SL-/+: left rear channel volume up/down

⑨ 0-9: numeric pad.

⑩ PRO: on/off button of the conversion mode of a stereo signal to 5.1.

⑪ BASS+/-: bass level up/down.

⑫ CLOCK: show current time.

⑬ ⏻: HTSS on/off button

⑭ SLEEP: Sleep mode switch-on time setting.

⑮ MUTE: sound on/off; display brightness adjustment (in ST-BY mode).

⑯ SAVE: memorize selected frequency button (in the Tuner mode).

⑰ FR-/+: right front channel volume up/down.

⑱ CEN-/+: center channel volume up/down.

⑲ VOL-/+: right rear channel volume up/down.

⑳ SR-/+: регулировка громкости правого тылового канала.

㉑ RESET: return to default settings.

㉒ TREBLE+/-: treble level up/down.

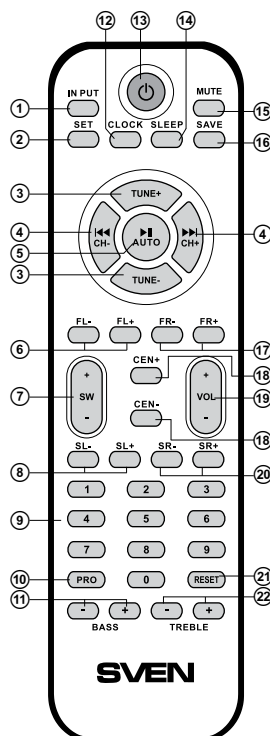


Fig. 3. Remote control

* The frequencies are switched if there are stations preset in the memory.

** The storage device must be formatted as FAT, FAT32. Memory cards SDHC class 10 or less can be used. Connecting devices other than USB flash drive is not recommended. Connection of HDDs and other devices can cause damage to the HTSS. Command processing time can be increased when using 8 Gb USB drive.

Installing RC batteries

- Open the battery compartment on the back of the remote control.
- Insert the included AAA batteries.
- Close the battery compartment.

Notes. Use the RC at an angle no more than 30° at a distance of no more than 7 meters. Direct the remote control at the LED display on the subwoofer. If the remote control is inoperative, check the availability of batteries or change them. Remove the batteries from the RC if you don't intend to use it for a long time (more than a week).

5. PREPARATION AND OPERATION**Speaker placement**

- To achieve optimum sound, it's recommended that you place the speakers according to Fig. 4. The center and front speakers should be located along an imaginary circle with the distance between the listener and the center channel speaker as a radius, and the listener's head as the center. Each of the three speakers should be placed at equal distance from the listener. The front speakers and the listener make up an equilateral triangle. The rear speakers are placed at the same distance from the listener (on the imaginary circle, too) at an angle of nearly 110° to the Listener — Display axis.
- Avoid placing your speakers in the corners and close to walls, as this can lead to unwanted resonance and distortions. If possible, place them at least 20 cm away from walls.

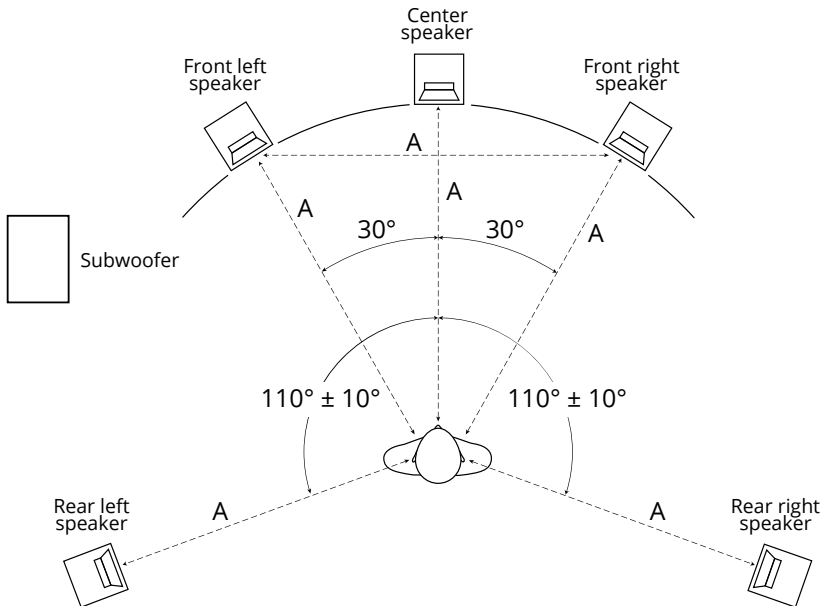


Fig. 4. Speaker placement

- For more accurate perception, the tweeters should be at the listener's ear level.
- Do not locate the speakers in niches. Such placement can affect the sound badly, especially in the lows.
- The subwoofer emits non-directional sound, therefore it can be located in any place of the room where it sounds the best.

Connecting speakers to the subwoofer

- Connect the speakers to the subwoofer AUDIO OUTPUT ⑯ as shown in Fig. 5, using audio cables (included). Mind that the (+) terminals of the speakers should be connected to the (+) terminals of the subwoofer (+ → +), while (-) terminals of the speakers should be connected to the (+) terminals of the subwoofer (- → -).

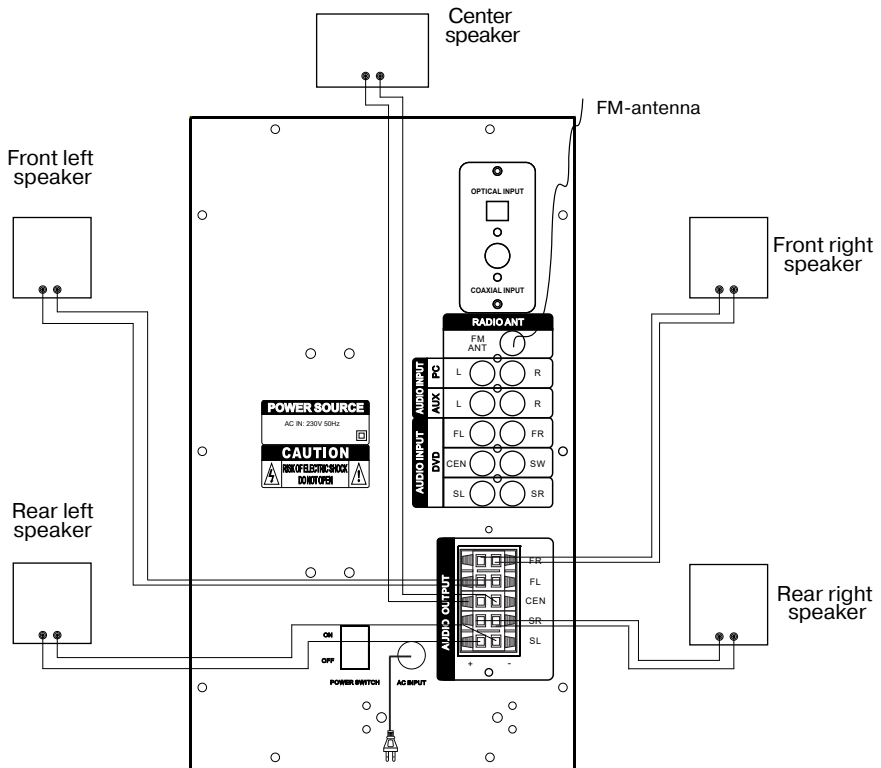


Fig. 5. Speaker connection diagram

- Check the correctness of connection polarity and the absence of contact between bared wires and metal parts of the equipment (see connection diagram in Fig. 5).

Installing and connecting the FM antenna

- Insert the included indoor FM antenna into the FM ANT Ⓢ jack on the subwoofer rear panel, as shown in Fig. 5. Install the FM antenna in such a way that reception quality is satisfactory, and then fix the position of the antenna.

Note. *In buildings with weak FM signal use an outdoor FM antenna.*

Preparations

HT-210 speaker system can be connected to virtually any audio source: DVD/CD/MP3 player, PC sound card, etc. (see connection diagram, Fig. 6).

Caution! *Before making any connections, make sure the MSS is off and unplugged.*

- To connect the HTSS to PC sound cards, MP3/CD players, use the 2RCA to mini-jack signal cables from the package. Connect the RCA jacks and mini-jacks, as shown in Fig. 6.
- To connect the HTSS to CD/DVD/AUX player or TV use the included 2RCA to 2RCA stereo signal cables (not included) (see Fig. 6).
- To connect the HTSS to TV use the optical cable (included) or coaxial cable (not included) (see Fig. 6).

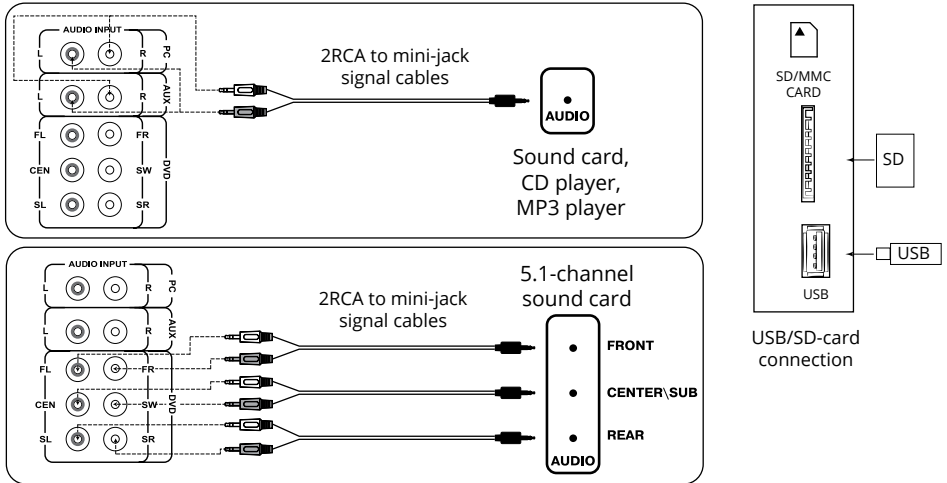


Fig. 6. Connection to audio sources

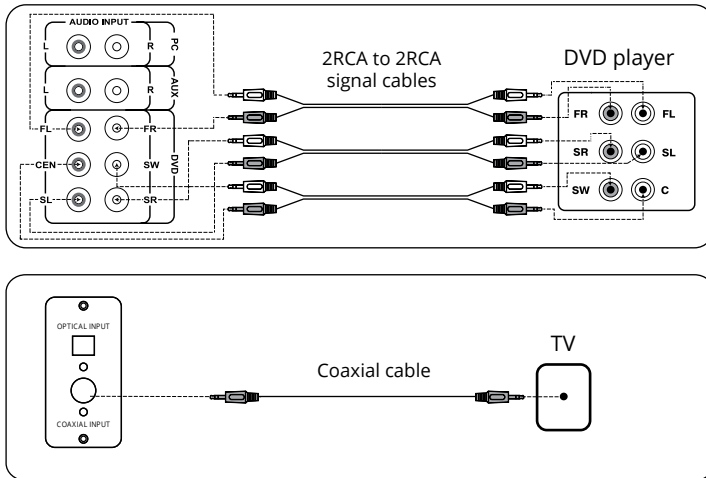


Fig. 6. Connection to audio sources

Switching on

- Connect the power cord ⑮ to the mains outlet.
- Switch on the HTSS power supply with the POWER ON/OFF switch on the subwoofer rear panel.
- Switch on the HTSS by turning the knob on the front panel or press the button on the remote control.
- Select the desired source by short pressing the INPUT button on the control panel or by pressing a button on the remote control.

Master volume control

- Adjust the desired master volume level with volume control knob on the subwoofer front panel or use buttons VOL+/- ⑰ on the RC.

Subwoofer and satellite speaker volume control

- The bass and treble level can be adjusted with BASS +/- ⑱ and TREBLE +/- ⑳ buttons respectively on the RC.
- The front, rear and center speaker volume can be adjusted with FL +/- ⑥, FR +/- ⑦, SL +/- ⑧, SR +/- ⑨ and CEN +/- ⑩ buttons on the RC. The SW +/- ⑦ buttons on the RC are used for adjusting the subwoofer volume control.

Switching modes

- To select any of PC, AUX, OPT, COX, Bluetooth, FM, MP3 or DVD modes use the volume control knob INPUT ③ on the front panel or INPUT ① button on the RC, when the HTSS is on (Fig. 3). The corresponding title will be displayed on the subwoofer and «PC», «AUX», «OPT», «COX», «BLUE», «Radio», «USB», «SD» or «DVD» LED indicators will illuminate.

2.1/5.1 Mode

- For 5.1 mode emulation from 2.1 mode use the PRO ⑩ button on the RC. LED indicator NORMAL/ PROLOGIC will illuminate.

Player Mode

- To enter the Player mode press the volume control knob INPUT ⑧ on the subwoofer front panel or INPUT ① button on the remote control. The LED display will show the selected mode for a short moment, then the number of the tracks found and the number of the track played, and then the playback time elapsed. The Player mode will start automatically.
- To select a track, you can enter directly its sequence number on the remote control or select it using buttons ⑤, ⑦ on the front panel or buttons ④ on the RC. The display will show the track number for a short moment, and then the playback time elapsed.

Tuner Mode

- To switch to the FM mode, use the volume control knob INPUT ⑧ on the subwoofer front panel or use INPUT ① button on the remote control, FM indicator lights up on the control panel.
- To auto scan and memorize the found stations, press short the button ⑥ on the front panel or the ⑤ button on the remote control. To stop auto scanning, press this button again before the scanning is over. The frequency being scanned is displayed on the front panel and when the station is being memorized its assigned sequence number is displayed for a short moment.
- For manual scanning use buttons TUNE- (down the frequency range) and TUNE+ (up the frequency range). To save the selected station, press the SAVE ⑯ button, and then with the buttons ④ assign the station its number and press the SAVE ⑯ button again. When the station has been memorized, the "Good" message will be displayed.
- If preset stations are available in the memory, you can switch from one to another by short pressing buttons ⑤, ⑦ on the front panel or buttons ④ on the remote control. The station frequency can also be entered with the numeric pad buttons. The radio will tune to the set frequency within 2-3 seconds.

Clock Mode

- When the HTSS is in the ST.BY mode, the display ① shows the current time. When the system is in a different mode, to see the time use the CLOCK ⑫ button on the remote control. The current time will be displayed for 3-5 seconds.
- To set the current time, go to the ST.BY mode by pressing the volume control knob INPUT ⑧ on the front panel or button ⑬ on the remote control long. To enter the time setting mode, press the SET ② on the remote control (the corresponding position will start blinking on the display ①). Set the minutes and hours directly from the RC numeric pad ⑨ or using buttons ⑤, ⑦ on the front panel or buttons ④ on the RC. Press the SET ② button short to switch between setting hours/minutes and to exit the setting mode.

Bluetooth mode

- In order to transmit signal in this mode it is necessary at first to connect the device with a signal source (see Fig. 4). For this purpose select the Bluetooth mode using the volume control knob INPUT ⑧ on the front panel or button INPUT ① on the RC. After 2-3 seconds the speaker system will enter the search mode, "BLU" mode will be shown on the display.
- It is necessary to select the search mode of devices with Bluetooth on a signal source (telephone, notebook, smartphone, etc.). "HT-210" message will be displayed on the screen which it should be connected to*.
- The "BLU" indicator lights continuously when connection is successful. If there is no connection, "BLU" indicator will blink. In this case the system should be switched over to the search mode once again (turn off and turn on Bluetooth mode)**.
- When the Bluetooth connection is active, you can control the audio source player with the remote control or with buttons on the subwoofer front panel.

* You might have to enter "0000" code to connect some models via Bluetooth.

** If an item has been already registered in the device list of sources, then the second search mode activation is not needed. Choose only the item name and the "connect" command on the source.

ST-BY Mode

- To enter/exit this mode, press and hold down the volume control knob INPUT ⑧ on the front panel or button ① ② on the RC. When the HTSS is in the ST-BY mode, the display ① shows the current time.

Audio setting reset

- Press the RESET u button on the remote control to reset audio settings.


Notes. If the MSS is left unused for a long period of time, mind to switch it off with the POWER switch (⑬, OFF position) and unplug the power cord ⑰ from the mains socket. To improve the sound quality, use the Line-Out port of your sound card.

6. TROUBLESHOOTING

Problem	Cause	Solution
The HTSS does not turn on.	The HTSS isn't connected to a mains outlet.	Check the connection.
	The power switch is off.	Turn on the switch.
No sound.	Volume level is set at minimum value.	Adjust the volume control knob.
	Improperly connected audio source.	Connect audio sources correctly.
There is too quiet sound of speakers.	Volume level is set at its minimum value.	Adjust the volume control knob.
Distortion of sound.	Large amplitude of the input signal.	Turn down the source volume and the HTSS volume.
The remote control is not working.	The batteries are discharged.	Replace batteries with new ones.
	There is direct sunlight.	Change the subwoofer or remote control location.
	Obstacle between the remote control and the subwoofer receiver.	Change the subwoofer or remote control location.
The FM tuner is not working.	The FM tuner is not connected.	Connect the FM antenna.
	Poor reception of the antenna.	Connect an outdoor FM antenna.

If none of the above methods can solve the problem, please seek professional advice at your nearest service center. Never attempt to repair the product yourself.

7. TECHNICAL SPECIFICATIONS

Parameter, measurement unit	Value
Output power (RMS), W: subwoofer satellites	125 (50 + 5 × 15) 50 5 × 15
Frequency response, Hz: subwoofer satellites	40–200 200–20 000
Frequency bands: USW, MHz (50 kHz step)	87.0–108.0
Speaker diameters, mm: subwoofer satellites	∅ 176 ∅ 80 + ∅ 37
Power supply, V/Hz	~230/50 
Radius of Bluetooth operation, m	up to 10
Dimensions (W × H × D), mm: subwoofer satellites center speaker	198 × 345 × 300 120 × 216 × 103 282 × 120 × 105
Rated current consumption, A	0.21
Weight, kg	12.4

Notes. Technical specifications given in this table are supplemental information and cannot give occasion to claims. Technical specifications and package contents are subject to change without notice due to the improvement of SVEN production.

Благодарим Вас за покупку акустической системы ТМ SVEN!

АВТОРСКОЕ ПРАВО

© SVEN PTE. LTD. Версия 2.0 (06.12.2021).

Данное Руководство и содержащаяся в нем информация защищены авторским правом. Все права защищены.

ТОРГОВЫЕ МАРКИ

Все торговые марки являются собственностью их законных владельцев.

ПРЕДУПРЕЖДЕНИЕ ОБ ОГРАНИЧЕНИИ ОТВЕТСТВЕННОСТИ

Несмотря на приложенные усилия сделать Руководство более точным, возможны некоторые несоответствия. Информация данного Руководства предоставлена на условиях «как есть». Автор и издатель не несут никакой ответственности перед лицом или организацией за ущерб или повреждения, произошедшие от информации, содержащейся в данном Руководстве.

СОДЕРЖАНИЕ

ENG	2
RUS	14
1. РЕКОМЕНДАЦИИ ПОКУПАТЕЛЮ	14
2. КОМПЛЕКАЦИЯ	15
3. МЕРЫ БЕЗОПАСНОСТИ	15
4. ТЕХНИЧЕСКОЕ ОПИСАНИЕ	15
5. ПОДГОТОВКА И ПОРЯДОК РАБОТЫ	18
6. УСТРАНЕНИЕ НЕИСПРАВНОСТЕЙ	24
7. ТЕХНИЧЕСКИЕ ХАРАКТЕРИСТИКИ	25
UKR	26

1. РЕКОМЕНДАЦИИ ПОКУПАТЕЛЮ

- Аккуратно распакуйте изделие, проследите за тем, чтобы внутри коробки не остались какие-либо принадлежности. Проверьте устройство на предмет повреждений. Если изделие повреждено при транспортировке, обратитесь в фирму, осуществляющую доставку; если изделие не функционирует, сразу же обратитесь к продавцу.
- Проверьте комплектность и наличие гарантийного талона. Убедитесь в том, что в гарантийном талоне проставлен штамп магазина, разборчивая подпись или штамп продавца и дата продажи, номер товара совпадает с указанным в талоне. Помните, что при утрате гарантийного талона или несовпадении номеров вы лишаетесь права на гарантийный ремонт.
- Не включайте изделие сразу же после внесения его в помещение из окружающей среды с минусовыми температурами! Распакованное изделие необходимо выдержать в условиях комнатной температуры не менее 4-х часов.
- Прежде чем устанавливать и использовать изделие, внимательно ознакомьтесь с настоящим Руководством и сохраните его на весь период использования.
- Перевозка и транспортировка оборудования допускается только в заводской упаковке.
- Не требует специальных условий для реализации.
- Утилизировать в соответствии с правилами утилизации бытовой и компьютерной техники.

**Техническая поддержка размещена на сайте www.sven.fi.
Здесь же Вы сможете найти обновленную версию данного Руководства.**

2. КОМПЛЕКТАЦИЯ

- Сабвуфер — 1 шт.
- Сателлиты — 2 шт.
- Пульт дистанционного управления (ПДУ) — 1 шт.
- Элементы питания для ПДУ (тип AAA) — 2 шт.
- Антенный провод — 1 шт.
- Акустический кабель — 5 шт.
- Оптический кабель — 1 шт.
- Сигнальный кабель 2RCA к mini-jack (Ø 3,5 мм) — 3 шт.
- Набор для настенного крепления сателлитов — 6 шт.
- Руководство по эксплуатации — 1 шт.
- Гарантийный талон — 1 шт.

3. МЕРЫ БЕЗОПАСНОСТИ



Внимание! Внутри корпуса на элементах без изоляции имеется высокое напряжение, которое может вызвать поражение электрическим током.

- Во избежание поражения электрическим током, не вскрывайте акустическую систему (АС) и не ремонтируйте самостоятельно. Обслуживание и ремонт должны осуществлять только квалифицированные специалисты уполномоченного сервисного центра. Перечень уполномоченных сервисных центров смотрите на сайте www.sven.fi.
- Не допускайте замыканий проводов (в том числе и «заземленных») колонок АС между собой, на корпус усилителя и на землю, т. к. это выводит из строя выходные каскады усилителя.
- Запрещается прикасаться к штырям сетевой вилки аппаратуры в течение 2 сек. с момента изъятия вилки из сетевой розетки.
- Оберегайте АС от попадания в отверстия посторонних предметов.
- Оберегайте АС от повышенной влажности, попадания воды и пыли.
- Оберегайте АС от нагрева: устанавливайте ее не ближе чем 1 м от нагревательных приборов. Не подвергайте воздействию прямых солнечных лучей.
- Не размещайте на АС никакие источники открытого пламени, а также вблизи системы.
- Не устанавливайте АС в местах с недостаточной вентиляцией. Минимальный воздушный зазор — 10 см. При эксплуатации АС не устанавливайте на нее какие-либо устройства, не покрывайте салфетками или подобными предметами, затрудняющими охлаждение.
- Не применяйте химические реагенты для чистки АС, используйте мягкую сухую ткань.

4. ТЕХНИЧЕСКОЕ ОПИСАНИЕ

Акустическая система 5.1 (АС) HT-210 предназначена для создания домашнего кинотеатра. Благодаря встроенному в сабвуфер многоканальному 5.1-усилителю мощности АС может быть подключена практически к любым источникам аудиосигнала.

Особенности

- Передача сигнала по Bluetooth.
- FM-радио.
- LED дисплей.
- Функция преобразования стереосигнала в 5.1.
- Воспроизведение музыки с USB flash и SD карт памяти.

- Цифровые оптический и коаксиальный входы.
- Встроенные часы.
- Пульт ДУ.
- Двухполосные сателлиты для детального воспроизведения высоких частот.
- Возможность настенного крепления сателлитов.
- Деревянный корпус (MDF).

Устройство АС

Панель управления сабвуфера

- 1 LED-дисплей.
- 2 IR: ИК-приемник.
- 3 SD/MMC CARD: разъем для установки SD/MMC-карт* с музыкальными файлами, записанными в формате MP3.
- 4 USB: разъем для установки USB flash носителя* с музыкальными файлами, записанными в формате MP3.
- 5 ◀/CH-: переход на предыдущий трек (кратковременное нажатие в режиме проигрывателя); предыдущая станция** (кратковременное нажатие в режиме радио).
- 6 ▶/AUTO: Воспроизведение/Пауза (кратковременное нажатие в режиме проигрывателя); автоматический поиск старт/стоп (кратковременное нажатие в режиме радио).
- 7 ▶▶/CH+: переход на следующий трек (кратковременное нажатие в режиме проигрывателя); следующая станция** (кратковременное нажатие в режиме радио).
- 8 INPUT/VOLUME +/-: включение изделия (поворот регулятора справа налево) и регулировка уровня громкости; выключение изделия (длительное нажатие); переключение входов, режимов OPT/COX/DVD/AUX/PC/FM/MP3/Bluetooth (кратковременное нажатие).
- 9 OPTICAL INPUT: разъем для подключения оптического входа.
- 10 COAXIAL INPUT: разъем для подключения коаксиального входа.
- 11 FM ANT: разъем для подключения антенны приемника.
- 12 PC: разъемы для подключения ПК.

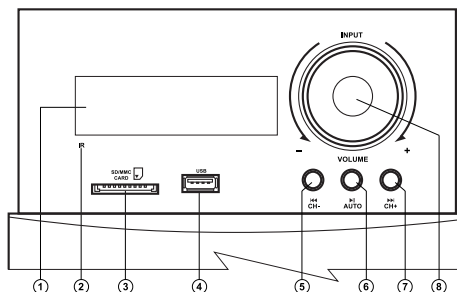


Рис. 1. Панель управления сабвуфера

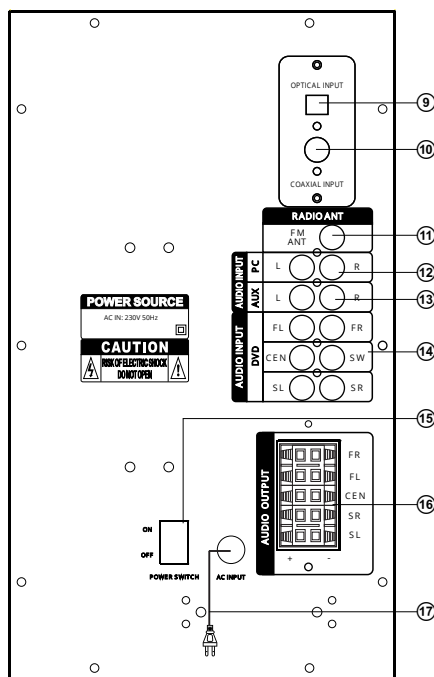


Рис. 2. Задняя панель сабвуфера

Руководство по эксплуатации

- ⑬ AUX: разъемы для подключения линейного входа.
- ⑭ DVD: разъемы для подключения DVD.
- ⑮ ON/OFF: выключатель питания.
- ⑯ AUDIO OUTPUT: разъемы для подключения спутников.
- ⑰ Шнур питания.

Пульт дистанционного управления

① INPUT: выбор режима работы AC (OPT/COX/DVD/AUX/PC/FM/MP3/Bluetooth).

② SET: установка текущего времени (из режима ST-BY).

③ TUNE+/-: ручное сканирование диапазона (в режиме радио).

④ CH-/◀◀/CH+/▶▶: переход на предыдущий/следующий трек (в режиме проигрыватель); переход на предыдущую/следующую станцию* (в режиме радио).

⑤ AUTO/▶: запуск автоматического сканирования с запоминанием станций в FM-диапазоне (в режиме радио); воспроизведение/пауза (при кратковременном нажатии в режиме проигрыватель).

⑥ FL-/+: регулировка громкости левого фронтального канала.

⑦ SW+/-: регулировка громкости сабвуфера.

⑧ SL-/+: регулировка громкости левого тылового канала.

⑨ 0-9: цифровое поле.

⑩ PRO: включение/выключение режима преобразования стереосигнала в 5.1.

⑪ BASS+/-: регулировка тембра НЧ.

⑫ CLOCK: вызов показаний текущего времени.

⑬ ⏻: включение/выключение AC.

⑭ SLEEP: выбор времени функции «спящий режим».

⑮ MUTE: включение/выключение звука; регулировка яркости дисплея (в режиме ST-BY).

⑯ SAVE: запоминание выбранной частоты (в режиме радио).

⑰ FR-/+: регулировка громкости правого фронтального канала.

⑱ CEN-/+: регулировка громкости центрального канала.

⑲ VOL+/-: регулировка уровня громкости.

⑳ SR-/+: регулировка громкости правого тылового канала.

㉑ RESET: сброс аудионастроек.

㉒ TREBLE+/-: регулировка тембра ВЧ.

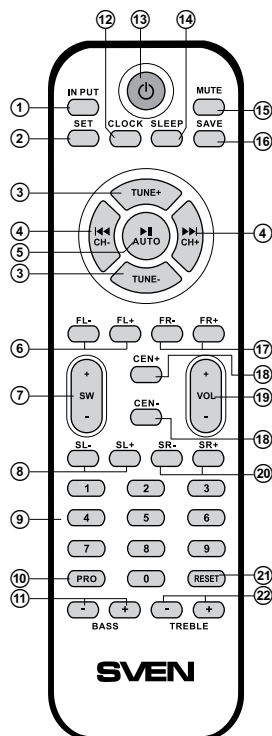


Рис. 3. Пульт ДУ

* Переключение этих частот происходит при наличии записанных в памяти станций.

** Носитель должен быть отформатирован в FAT, FAT32. Можно использовать карты памяти SDHC class 10 и ниже. Не рекомендуется подключение внешних жестких дисков и прочих устройств, отличных от USB flash — это может привести к повреждению AC. При использовании USB-носителя емкостью более 8 Gb возможно увеличение времени на обработку команд.

Установка батареек в пульт ДУ

- Откройте отсек для батареек на задней стороне пульта ДУ.
- Вставьте батарейки типа AAA (из комплекта).
- Закройте отсек для батареек.

Примечания. *Используйте ПДУ под углом не более 30° на расстоянии не более 7 метров. Направьте ПДУ на LED-дисплей на сабвуфере. Если ПДУ не работает, проверьте наличие батареек или замените батарейки на новые. Вынимайте батарейки из пульта, если не собираетесь пользоваться им в течение длительного времени (больше недели).*

5. ПОДГОТОВКА И ПОРЯДОК РАБОТЫ

Расположение АС

- Для достижения лучшего эффекта восприятия АС следует расположить колонки согласно рис. 4. Центр и фронтальная пара расположены на линии виртуальной окружности, радиусом которой является расстояние от слушателя до центральной колонки, а центром окружности — голова слушателя. Расстояние от слушателя до каждой из фронтальных колонок и центральной колонки равны. Расстояние между фронтальными колонками равно расстоянию от слушателя до каждой из колонок. Тыловые колонки расположены на таком же удалении от слушателя (также на виртуальной окружности) под углом ~110° к оси «слушатель — экран».
- Избегайте установки колонок в углах помещений и непосредственно возле стен, это может привести к возникновению нежелательных резонансов и призвуков. При возможности размещайте АС на расстоянии не менее 20 см от стен.

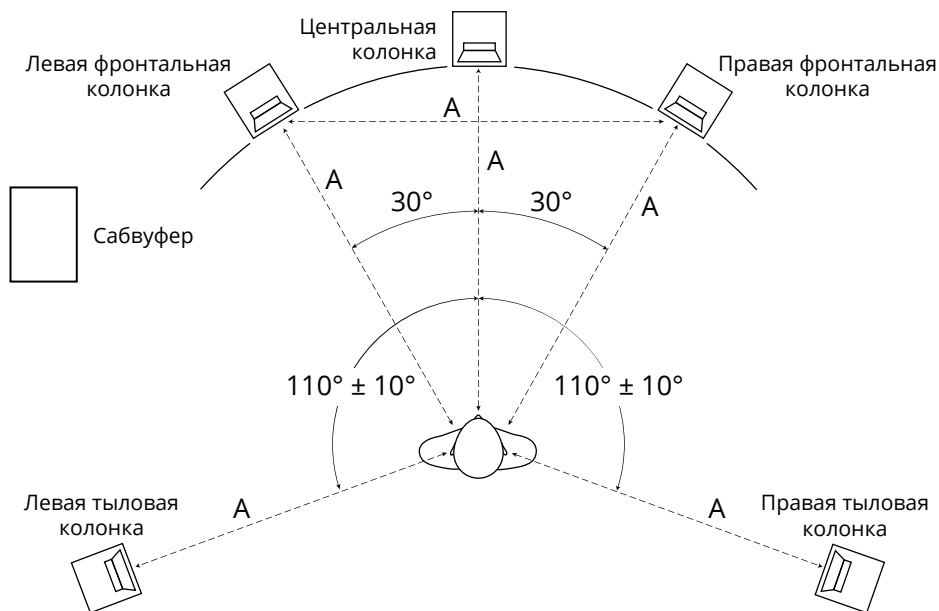


Рис. 4. Расположение АС

- Для наиболее точного восприятия желательно, чтобы высокочастотные твиттеры находились на одном уровне с ухом слушателя.
- Не рекомендуется устанавливать колонки в ниши. Такое размещение может повлиять на воспроизведение звука, особенно в низкочастотном диапазоне.
- Сабвуфер излучает ненаправленный звук, потому его можно расположить в любом месте комнаты, где сабвуфер будет звучать наилучшим образом.

Подключение колонок к сабвуферу

- Подключите колонки к аудиовыходу AUDIO OUTPUT [®] сабвуфера, как показано на рис. 5, используя акустические кабели из комплекта. Обратите внимание, что плюсовые провода кабелей колонок должны быть соединены с плюсовыми клеммами сабвуфера (+ → +), а минусовые провода колонок — с минусовыми клеммами сабвуфера (- → -).

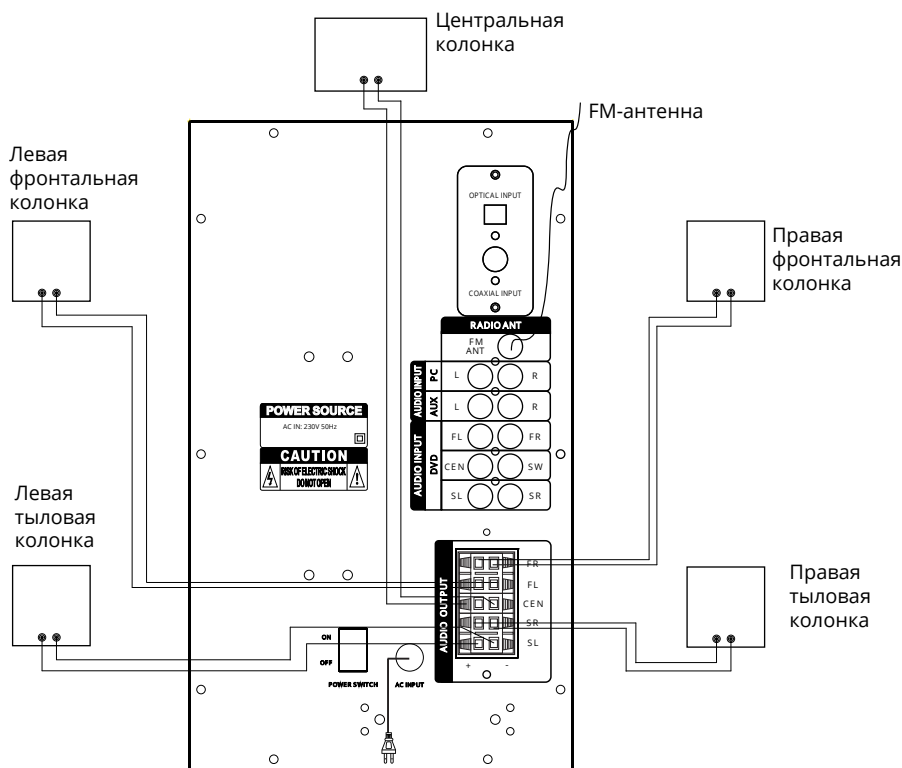


Рис. 5. Схема подключения колонок

- Проверьте соответствие полярности подключения и отсутствие контакта оголенных проводов между собой и с металлическими частями аппаратуры (см. схему подключения на рис. 5).

Установка и подключение FM-антенны

- Вставьте входящую в комплект комнатную FM-антенну в гнездо FM ANT ⑨ на задней панели сабвуфера, как показано на рис. 6. Устанавливайте антенну таким образом, чтобы качество приема стало удовлетворительным, а потом закрепите антенну в этом положении.

Примечание. В домах со слабым качеством приема FM-сигнала, используйте внешнюю FM-антенну.

Подготовка к работе

Акустическая система HT-210 может быть подключена практически к любым источникам аудиосигнала: CD/DVD/MP3-проигрывателям, звуковой карте ПК и т. п. (см. рис.).

Предупреждение! Перед подключением все компоненты системы должны быть выключены.

- Для подключения AC к CD/MP3-плеерам, звуковым картам ПК используйте сигнальные кабели 2RCA к mini-jack (входят в комплект). Подключите 2RCA-джеки и мини-джеки кабелей, как показано на схемах на рис. 6.
- Для подключения AC к CD/DVD/AUX-проигрывателям, TV используйте стереофонические сигнальные кабели 2RCA к 2RCA (не входят в комплект) (см. рис. 6).
- Для подключения AC к TV используйте оптический кабель (входит в комплект) или коаксиальный кабель (не входит в комплект) (см. рис. 6).

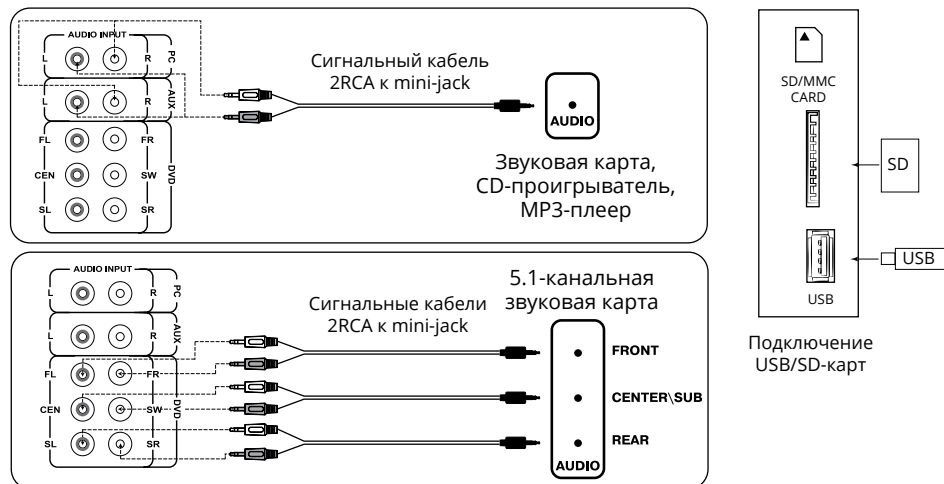


Рис. 6. Схемы подключения к источникам аудиосигнала

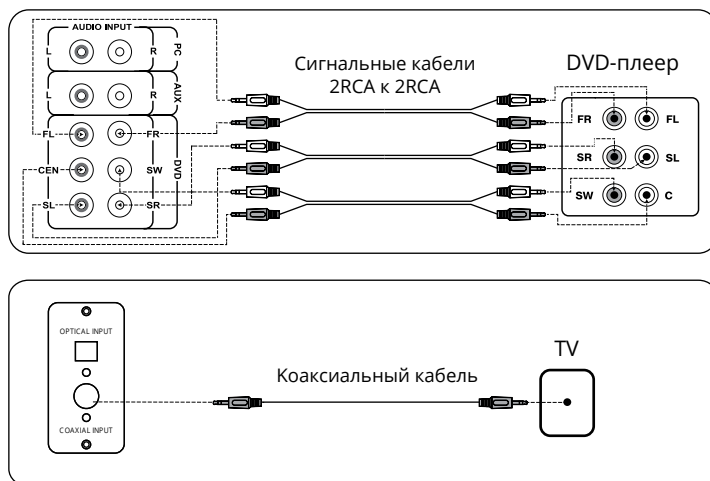


Рис. 6. Схемы подключения к источникам аудиосигнала

Включение системы

- Подключите шнур питания 15 к сетевой розетке.
- Включите питание АС выключателем ON/OFF на задней стенке сабвуфера.
- Включите АС поворотом регулятора на передней панели или кнопкой на ПДУ.
- Выберите желаемый источник сигнала кратковременным нажатием кнопки INPUT на панели управления или нажатием кнопки на ПДУ.

Управление общей громкостью звука

- Выберите желаемый уровень громкости системы с помощью регулятора на панели управления или воспользуйтесь кнопками VOL+/- 19 на ПДУ.

Управление громкостью колонок и сабвуфера

- Кнопками BASS +/- 11 и TREBLE +/- 12 на пульте ДУ можно отрегулировать (увеличить/уменьшить) соответственно уровень низких и высоких частот системы.
- Уровень громкости фронтальных, тыловых и центральной колонок можно отрегулировать соответственно кнопками FL +/- 6, FR +/- 17, SL +/- 8, SR +/- 20 и CEN +/- 18 на пульте ДУ. А кнопками SW +/- 7 на ПДУ можно отрегулировать уровень громкости сабвуфера.

Переключение режимов

- Для перехода в один из режимов PC, AUX, OPT, COX, Bluetooth, FM, MP3 или DVD необходимо при включенной АС нажать на ручку регулировки громкости INPUT 9 на передней панели либо кнопкой INPUT 1 на ПДУ (рис. 3). На дисплее сабвуфера высветится соответствующая надпись «PC», «AUX», «OPT», «COX», «BLUE», «Radio», «USB», «SD» либо «DVD».

Режим 2.1/5.1

- Для эмуляции режима 5.1 из режима 2.1 необходимо при включенной АС нажать на кнопку PRO ⑩ на ПДУ. На дисплее сабвуфера загорится индикатор NORMAL/PROLOGIC.

Режим проигрывателя

- Для перехода в режим проигрывателя необходимо при включенной АС на передней панели нажать на ручку регулировки громкости INPUT ⑧ или кнопку INPUT ① на ПДУ. На дисплее кратковременно отобразится выбранный режим, затем количество найденных треков и порядковый номер воспроизводимого трека, далее время воспроизведения от начала. Воспроизведение начнется автоматически.
- Для выбора трека можно непосредственно ввести его порядковый номер с ПДУ или использовать кнопки ⑤, ⑦ на передней панели или кнопки ④ на ПДУ. На индикаторе кратковременно отобразится порядковый номер трека, далее время воспроизведения от начала.

Режим радио

- С помощью нажатия на ручку регулировки громкости INPUT ⑧ на передней панели сабвуфера или кнопки INPUT ① на пульте ДУ выберите режим FM, загорится индикатор FM на панели управления.
- Для автоматического сканирования и запоминания найденных станций используйте кратковременное нажатие кнопки ⑥ на передней панели или ⑤ ПДУ. Повторное нажатие на эти кнопки до окончания сканирования остановит процесс сканирования. При сканировании на передней панели отображается частота, при запоминании станций кратковременно отображается присвоенный порядковый номер.
- Для ручного сканирования диапазона используйте кнопки на ПДУ TUNE- (вниз по частоте) и TUNE+ (вверх по частоте). Для сохранения выбранной частоты нажмите кнопку SAVE ⑩, кнопками ④ выберите номер ячейки для сохранения и повторно нажмите кнопку SAVE ⑩. При сохранении на индикаторе отобразится сообщение «Good».
- При наличии в памяти запомненных станций переключение осуществляется кратковременным нажатием кнопок ⑤, ⑦ на передней панели или кнопок ④ на ПДУ. Частоту станции можно также ввести с помощью цифрового поля. Радио настроится на заданную частоту через 2-3 сек.

Режим часов

- При нахождении АС в режиме ST.BY на дисплее ① отображается текущее время. При нахождении системы в другом режиме для отображения времени необходимо воспользоваться кнопкой CLOCK ⑫ на ПДУ. Текущее время отобразится на 3-5 сек.
- Для установки текущего времени перейдите в режим «ST.BY» длительным нажатием на ручку регулировки громкости INPUT ⑧ на передней панели или кнопки ⑬ на ПДУ. Войдите в режим установки времени нажатием кнопки SET ② на ПДУ (на дисплее ① соответствующий разряд начнет мигать). Установите необходимое значение часов и минут непосредственно с цифрового поля ⑨ на ПДУ или кнопками ⑤, ⑦ на передней панели или кнопками ④ на ПДУ. Переключение между установкой часов/минут и выход из режима установки осуществляется коротким нажатием кнопки SET ②.

Режим Bluetooth

- Для передачи сигнала в этом режиме необходимо предварительно установить связь изделия с источником сигнала (см. рис. 4). Для этого выберите режим Bluetooth с помощью нажатия на ручку регулировки громкости INPUT ⑧ на передней панели сабвуфера или на кнопку INPUT ① на ПДУ. Через 2-3 секунды АС перейдет в режим поиска, на дисплее будет отображаться режим «BLU».
- На источнике сигнала (телефон, ноутбук, смартфон и пр.) необходимо выбрать режим поиска устройств Bluetooth. На экране отобразится наименование «HT-210», с которым необходимо установить соединение*.
- При удачном подключении индикатор «BLU» имеет постоянное свечение. Если подключение не состоялось, индикатор «BLU» имеет прерывистое свечение. Необходимо повторно перевести систему в режим поиска (выключить и снова включить)**.
- Во время соединения с источником сигнала можно управлять проигрывателем источника сигнала с ПДУ или при помощи кнопок на передней панели сабвуфера.

* Для соединения по Bluetooth с некоторыми моделями устройств, возможно, потребуются ввести код «0000».

** Если изделие уже прописано в списке устройств источника, то повторная активация режима поиска не обязательна. Выберите лишь имя изделия и команду «подключиться» на источнике.

Режим ST.BY

- Для перехода/выхода из этого режима нажмите и удерживайте ручку регулировки громкости INPUT ⑧ на передней панели или кнопку ⑬ на ПДУ. При переходе в этот режим дисплей ① на передней панели отображает текущее время.

Сброс аудионастроек

- Нажмите кнопку RESET ⑳ на ПДУ для сброса аудионастроек.

Примечания. Если Вы длительное время не используете АС, выключите устройство выключателем POWER (⑮, положение OFF) и выньте вилку сетевого шнура ⑰ из розетки. Для повышения качества воспроизведения звука воспользуйтесь выходом звуковой карты Line-Out.

6. УСТРАНЕНИЕ НЕИСПРАВНОСТЕЙ

Неисправность	Причина	Способ устранения
АС не включается.	Не подключена к сети.	Проверьте правильность подключения.
	Не включен сетевой выключатель.	Включите выключатель.
Нет звука.	Уровень громкости установлен в наименьшем положении.	Подстройте уровень громкости.
	Неправильно подключен источник аудиосигнала.	Подключите правильно источник сигнала.
В колонках АС слишком тихий звук.	Уровень громкости установлен в наименьшем положении.	Подключите источники сигнала правильно.
Искажение звука.	Большая амплитуда входного сигнала.	Регуляторами громкости на источниках сигнала и АС уменьшите величину входного сигнала.
Не функционирует пульт ДУ.	Разряжены батарейки.	Замените батарейки на новые.
	Действие прямых солнечных лучей.	Измените расположение сабвуфера или пульта ДУ.
	Препятствие между пультом и приемником сабвуфера.	Измените расположение сабвуфера или пульта ДУ.
Не работает FM-тюнер.	Не подключена FM-антенна.	Подключите FM-антенну.
	Плохой прием на антенну.	Подключите внешнюю FM-антенну.

Если ни один из указанных выше способов не позволяет решить проблему, пожалуйста, обратитесь за профессиональной консультацией в ближайший к Вам сервисный центр. Никогда не пытайтесь ремонтировать изделие самостоятельно.

7. ТЕХНИЧЕСКИЕ ХАРАКТЕРИСТИКИ

Характеристики и единицы измерения	Значение
Выходная мощность (RMS), Вт: сабвуфер сателлиты	125 (50 + 5 × 15) 50 5 × 15
Диапазон частот, Гц: сабвуфер сателлиты	40–200 200–22 000
Диапазон частот УКВ, МГц (шаг 50 кГц)	87,0–108,0
Диаметр динамиков, мм: сабвуфер сателлиты	∅ 176 ∅ 80 + ∅ 37
Напряжение питания, В/Гц	~230/50 \square
Дальность действия Bluetooth, м	до 10
Размеры, мм: сабвуфер сателлиты (одна колонка) центрального сателлита	198 × 345 × 300 120 × 216 × 103 282 × 120 × 105
Номинальный ток потребления, А	0,21
Вес, кг	12,4

Примечания. Технические характеристики, приведенные в таблице, справочные и не могут служить основанием для претензий. Продукция ТМ SVEN постоянно совершенствуется. По этой причине технические характеристики и комплектность могут быть изменены без предварительного уведомления.

Дякуємо Вам за купівлю акустичної системи TM SVEN!

АВТОРСЬКЕ ПРАВО

© SVEN PTE. LTD. Версія 2.0 (06.12.2021).

Це Керівництво та інформація, що міститься в ньому, захищено авторським правом. Усі права застережені.

ТОРГОВЕЛЬНІ МАРКИ

Усі торговельні марки є власністю їх законних власників.

ПОПЕРЕДЖЕННЯ ПРО ОБМЕЖЕННЯ ВІДПОВІДАЛЬНОСТІ

Незважаючи на докладені зусилля зробити Керівництво точнішим, можливі деякі невідповідності. Інформація цього Керівництва надана на умовах «як є». Автор і видавець не несуть жодної відповідальності перед особою або організацією за збитки або uszkodження, завдані інформацією, що міститься у цьому Керівництві.

ЗМІСТ

ENG	2
RUS	14
UKR	26
1. РЕКОМЕНДАЦІЇ ПОКУПЦЮ	26
2. КОМПЛЕКТНІСТЬ АС	27
3. ЗАХОДИ БЕЗПЕКИ	27
4. ТЕХНІЧНИЙ ОПИС	27
5. ПІДГОТОВКА ТА ПОРЯДОК РОБОТИ	30
6. УСУНЕННЯ НЕСПРАВНОСТЕЙ	36
7. ТЕХНІЧНІ ХАРАКТЕРИСТИКИ	37

1. РЕКОМЕНДАЦІЇ ПОКУПЦЮ

- Аккуратно розпакуйте виріб, простежте за тим, щоб усередині коробки не залишилося яке-небудь приладдя. Перевірте пристрій на предмет пошкоджень. Якщо виріб пошкоджено при транспортуванні, зверніться у фірму, що здійснює доставку; якщо виріб не функціонує, відразу ж зверніться до продавця.
- Просимо Вас перевірити комплектність і наявність гарантійного талона. Переконайтеся в тому, що в гарантійному талоні проставлено штамп магазину, розбірливий підпис або штамп продавця і дата продажу, номер товару співпадає зі вказаним у талоні. Пам'ятайте, що при втраті гарантійного талона або неспівпаданні номерів ви втрачаєте право на гарантійний ремонт.
- Не включайте виріб одразу після того, як внесли його в приміщення, якщо надворі мінусова температура! Розпакований виріб необхідно витримати в умовах кімнатної температури не менше 4-х годин.
- Перед експлуатацією пристрою уважно ознайомтеся з цим Керівництвом і збережіть його на увесь період користування.

**Технічна підтримка розміщена на сайті www.sven.fi.
Також тут Ви зможете знайти оновлену версію цього Керівництва.**

2. КОМПЛЕКТНІСТЬ АС

- Сабвуфер — 1 шт.
- Сателіти — 5 шт.
- Пульти дистанційного управління (ПДУ) — 1 шт.
- Елементи живлення для ПДУ (тип ААА) — 2 шт.
- Антенний провід — 1 шт.
- Акустичний кабель — 5 шт.
- Оптичний кабель — 1 шт.
- Сигнальний кабель 2RCA до mini-jack (Ø 3,5 мм) — 3 шт.
- Набір для настінного кріплення сателітів — 6 шт.
- Керівництво з експлуатації — 1 шт.
- Гарантійний талон — 1 шт.

3. ЗАХОДИ БЕЗПЕКИ



Увага! Усередині корпусу на елементах без ізоляції є висока напруга, що може викликати ураження електричним струмом.

- Щоб уникнути ураження електричним струмом, не розбирайте АС і не ремонтуйте самостійно. Обслуговування і ремонт повинні здійснювати лише кваліфіковані фахівці сервісного центру. Перелік авторизованих сервісних центрів дивіться на сайті www.sven.fi.
- Не допускайте замикання дротів (у тому числі й «заземлених») колонок АС між собою, на корпус підсилювача і на землю, бо це призводить до пошкодження вихідних каскадів підсилювача.
- Забороняється торкатися до штирів мережної вилки апаратури протягом 2 сек. з моменту вилучення вилки з розетки.
- Оберегайте АС від потрапляння в отвори сторонніх предметів.
- Оберегайте АС від підвищеної вологості, потрапляння води і пилу.
- Оберегайте АС від нагрівання: встановлюйте її не ближче ніж 1 м від нагрівальних приладів. Не піддавайте впливу прямих сонячних променів.
- Не розміщуйте на АС, а також поблизу системи жодних джерел відкритого полум'я.
- Не встановлюйте АС в місцях з недостатньою вентиляцією. Мінімальний доступ повітря — 10 см. Під час експлуатації АС не ставте на неї будь-які пристрої, не вкривайте серветками або подібними предметами, що заважають охолодженню.
- Не застосовуйте хімічні реагенти для чищення АС, використовуйте м'яку суху тканину.

4. ТЕХНІЧНИЙ ОПИС

Акустична система 5.1 (АС) HT-210 призначена для створення домашнього кінотеатру. Завдяки вмонтованому в сабвуфер багатоканальному 5.1-підсилювачу потужності АС може бути підключена практично до будь-яких джерел аудіосигналу.

Особливості АС

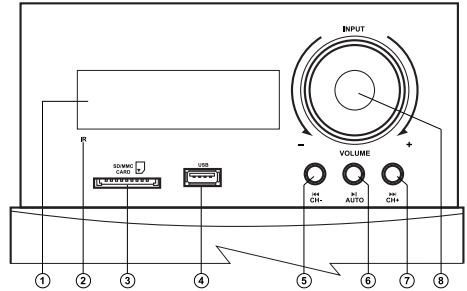
- Акустична система сумісна з PC, DVD/Media-програвачами, мобільними телефонами та іншими джерелами звуку.
- Вмонтоване FM-радіо.
- Інформаційний LED-дисплей.
- Можливість перетворення стереосигналу в 5.1.

- Вмонтований програвач аудіофайлів з носіїв пам'яті.
- Бездротова передача сигналу по Bluetooth.
- Оптичний і коаксіальний вхід.
- Вмонтований годинник.
- Пульс дистанційного управління.
- Можливість настінного кріплення сателітів.
- Матеріал корпусу — дерево (MDF).

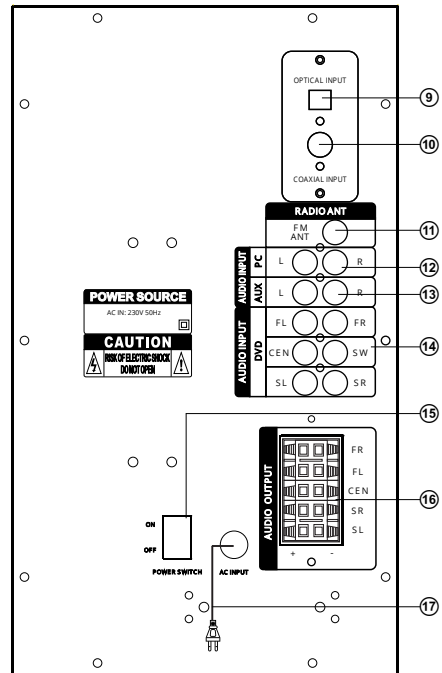
Будова АС

Панель управління сабвуфера

- 1 LED-дисплей.
- 2 IR: ІЧ-приймач.
- 3 SD/MMC CARD: роз'єм для встановлення SD/MMC-карт* з музичними файлами, записаними у форматі MP3.
- 4 USB: роз'єм для встановлення USB flash-носія* з музичними файлами, записаними у форматі MP3.
- 5 **◀/CH-**: перехід на попередній трек (короткочасне натискання в режимі програвач); попередня станція** (короткочасне натискання в режимі радіо).
- 6 **▶/AUTO**: відтворення/пауза (короткочасне натискання в режимі програвач); автоматичний пошук старт/стоп (короткочасне натискання в режимі радіо).
- 7 **▶▶/CH+**: перехід на наступний трек (короткочасне натискання в режимі програвач); наступна станція** (короткочасне натискання в режимі радіо).
- 8 **INPUT/VOLUME +/-**: увімкнення виробу (поворот регулятора зправа наліво) і регулювання рівня гучності; вимкнення виробу (тривале натискання); перемикання входів, режимів OPT/COX/DVD/AUX/PC/FM/MP3/Bluetooth (короткочасне натискання).
- 9 **OPTICAL INPUT**: роз'єм для підключення оптичного входу.
- 10 **COAXIAL INPUT**: роз'єм для підключення коаксіального входу.
- 11 **FM ANT**: роз'єм для підключення антени приймача.
- 12 **PC**: роз'єми для підключення ПК.



Мал. 1. Панель управління сабвуфера

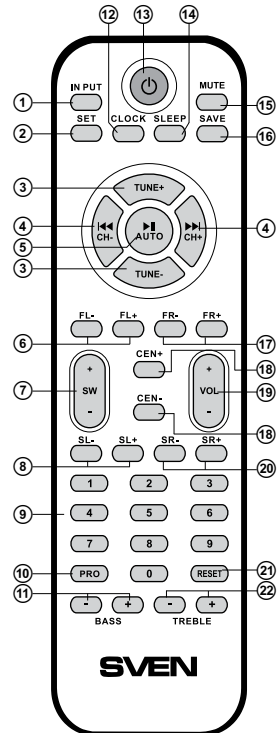


Мал. 2. Задня панель сабвуфера

- ⑬ AUX: роз'єми для підключення лінійного входу.
- ⑭ DVD: роз'єми для підключення DVD.
- ⑮ ON/OFF: вимикач живлення.
- ⑯ AUDIO OUTPUT: роз'єми для підключення сателітів.
- ⑰ Шнур живлення.

Пульт дистанційного управління

- ① INPUT: вибір режиму роботи AC (OPT/COX/DVD/AUX/PC/FM/MP3/Bluetooth).
- ② SET: встановлення поточного часу (з режиму ST.BY).
- ③ TUNE+/-: ручне сканування діапазону (в режимі радіо).
- ④ CH-/◀/CH+/▶: перехід на попередній/наступний трек (в режимі програвач); перехід на попередню/наступну станцію* (в режимі радіо).
- ⑤ AUTO/▶: запуск автоматичного сканування із запам'ятовуванням станцій у FM-діапазоні (в режимі радіо); відтворення/пауза (короткочасне натискання в режимі програвач).
- ⑥ SW+/-: регулювання гучності сабвуфера.
- ⑦ SL-/+: регулювання гучності лівого тилового каналу.
- ⑧ 0-9: цифрове поле.
- ⑨ PRO: вмикання/вимикання режиму перетворення стереосигналу в 5.1.
- ⑩ BASS+/-: регулювання тембру НЧ.
- ⑪ CLOCK: виклик даних поточного часу.
- ⑫ ⏻: вмикання/вимикання AC.
- ⑬ SLEEP: вибір часу функції «сплячий режим».
- ⑭ MUTE: вмикання / вимикання звуку; регулювання яскравості дисплея (в режимі ST-BY).
- ⑮ SAVE: запам'ятовування вибраної частоти (в режимі радіо).
- ⑯ FR-/+: регулювання гучності правого фронтального каналу.
- ⑰ CEN-/+: регулювання гучності центрального каналу.
- ⑱ VOL-/+: регулювання рівня гучності.
- ⑳ SR-/+: регулювання гучності правого тилового каналу.
- ㉑ RESET: повернення до заводських налаштувань.
- ㉒ TREBLE+/-: регулювання тембру ВЧ.



Мал. 3. Пульт ДУ

* Перемикання цих частот відбувається за наявності записаних у пам'яті AC станцій.

** Носії потрібно відформатувати в FAT, FAT32. Можна використовувати карти пам'яті SDHC class 10 і нижче. Не рекомендується підключення зовнішніх жорстких дисків та інших пристроїв, відмінних від USB flash, — це може призвести до пошкодження AC. При використанні USB-носія ємністю понад 8 Gb можливе збільшення часу на обробку команд.

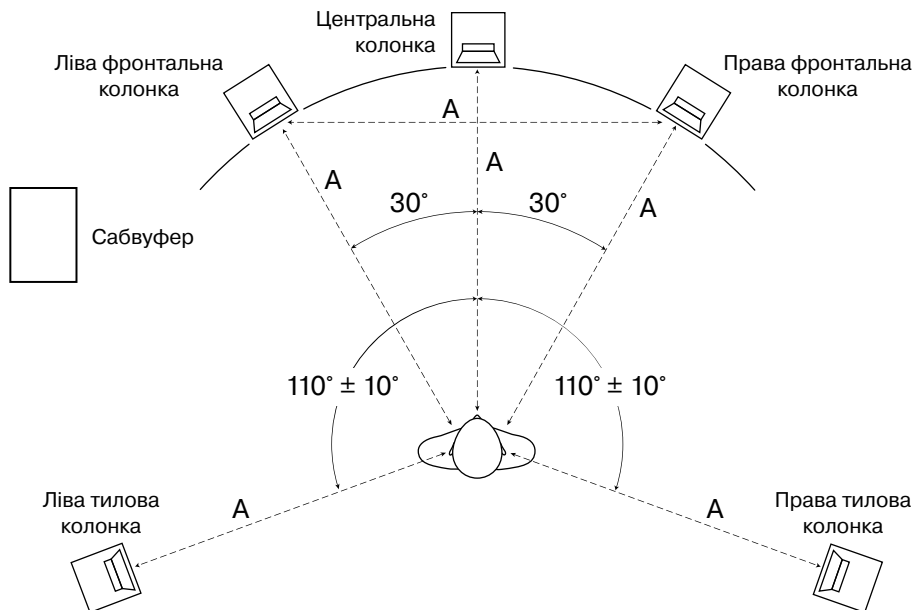
Встановлення батарейок у пульт ДУ

- Відкрийте відсік для батарейок на задній стороні пульта ДУ.
- Вставте 2 батарейки типу AAA (з комплекту).
- Закрийте відсік для батарейок.

Примітки. Використовуйте ПДУ під кутом, який не перевищує 30° на відстані не більше 7 метрів. Спрямуйте ПДУ на LED-дисплей на сабвуфері. Якщо ПДУ не працює, перевірте наявність батарейок або замініть розряджені на нові. Виймайте батарейки з пульта, якщо не збирається користуватися ним протягом тривалого часу (понад тиждень).

5. ПІДГОТОВКА І ПОРЯДОК РОБОТИ**Розташування АС**

- Для отримання кращого ефекту сприйняття АС слід розташувати колонки згідно з мал. 4. Центр і фронтальна пара розташовані на лінії віртуального кола, радіусом якого є відстань від слухача до центральної колонки, а центром кола — голова слухача. Відстань від слухача до кожної з фронтальних колонок і центральної колонки рівні. Відстань між фронтальними колонками дорівнює відстані від слухача до кожної з колонок. Тілові канали розташовані на тій же відстані від слухача (також на лінії віртуального кола) під кутом приблизно 110° до осі «слухач — екран».
- Уникайте встановлення колонок у кутах приміщень та безпосередньо біля стін, це може призвести до виникнення небажаних резонансів і призвуків. Якщо це можливо, розташуйте АС на відстані не менше 20 см від стін.

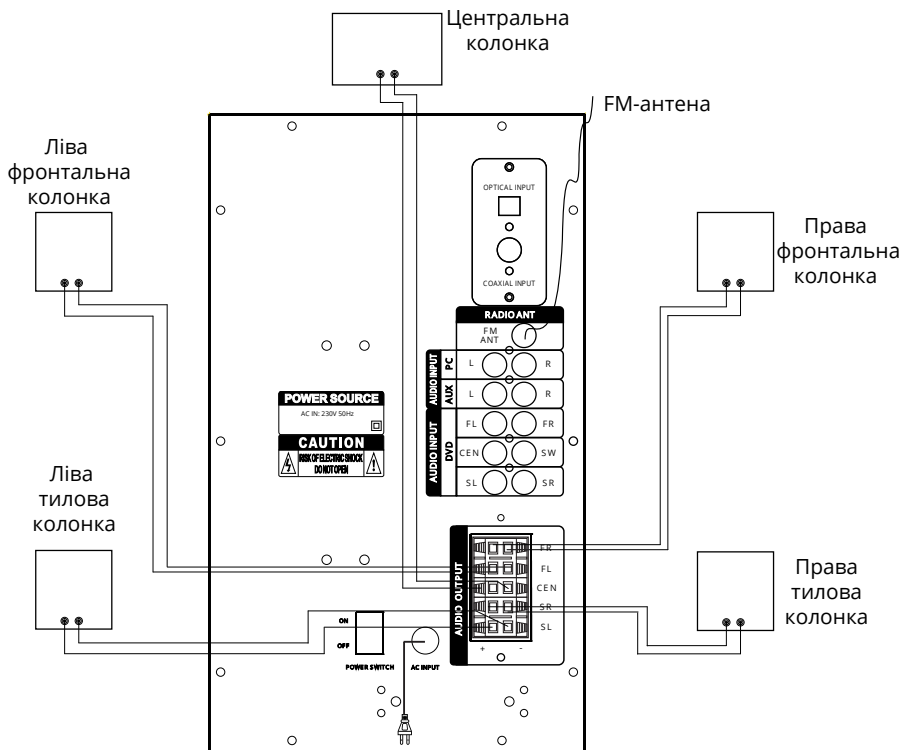


Мал. 4. Розташування АС

- Для більш точного сприйняття бажано, щоб високочастотні твітери розташовувалися на одному рівні з вухом слухача.
- Не рекомендується встановлювати колонки в ніші. Таке розміщення може спричинити вплив на відтворення звуку, особливо у низькочастотному діапазоні.
- Сабвуфер випромінює ненапрявлений звук, тому його можна розташувати в будь-якому місці кімнати, в якому сабвуфер звучатиме якнайкраще.

Підключення колонок до сабвуфера

- Підключіть колонки до аудіовходу AUDIO OUTPUT [®] сабвуфера, як показано на мал. 5, використовуючи акустичні кабелі з комплекту. Зверніть увагу, що плюсові дроти колонок повинні бути з'єднані з плюсовими клеммами сабвуфера (+ → +), а мінусові дроти колонок — з мінусовими клеммами сабвуфера (− → −).



Мал. 5. Схема підключення колонок

• Перевірте відповідність полярності підключення і відсутність контакту оголених дротів між собою і з металевими частинами апаратури (див. схему підключення на мал. 5).

Встановлення і підключення FM-антени

• Вставте кімнатну FM-антену з комплекту в гніздо «FM ANT» і на задній панелі сабвуфера, як показано на мал. 5. Встановлюйте антену так, щоб якість прийому стала задовільною, а потім закріпіть антену в цьому положенні.

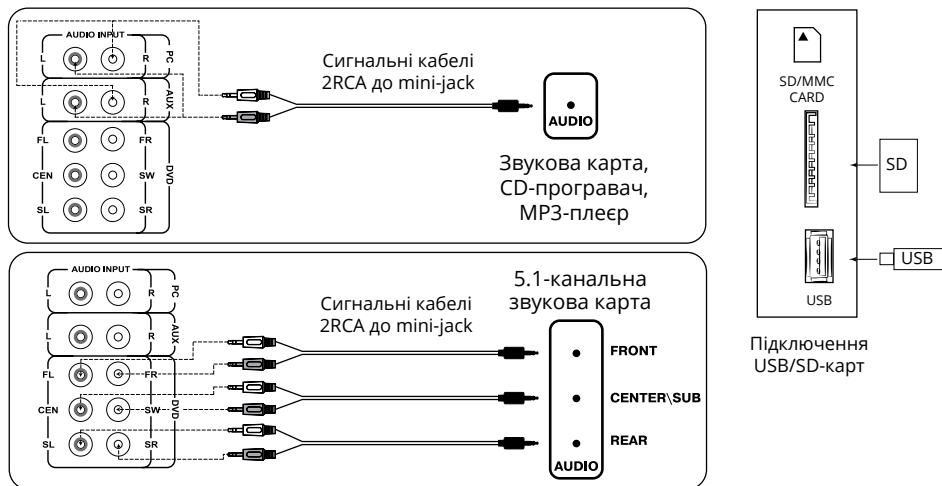
Примітка. У будинках зі слабким сигналом FM використовуйте зовнішню FM-антену.

Підготовка до роботи

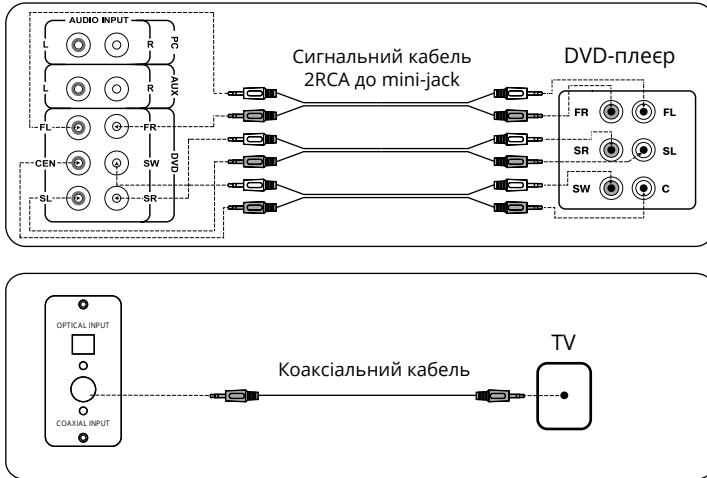
Акустична система HT-210 може бути підключена практично до будь-яких джерел аудіосигналу: CD/DVD/MP3-програвачів, звукової карти ПК тощо (див. мал. 6).

Попередження! Перед підключенням всі компоненти системи повинні бути вимкнені.

- Для підключення АС до CD/MP3-плеєрів, звукових карт ПК використовуйте сигнальні кабелі 2RCA до mini-jack (входять до комплекту). Підключіть 2RCA-джеки і міні-джеки кабелів, як показано на схемах на мал. 6.
- Для підключення АС до CD/DVD/AUX-програвачів, TV використовуйте стереофонічні сигнальні кабелі 2RCA до 2RCA (не входять до комплекту) (див. мал. 6).
- Для підключення АС до TV використовуйте оптичний кабель (входить до комплекту) або коаксіальний кабель (не входять до комплекту) (див. мал. 6).



Мал. 6. Схеми підключення до джерел аудіосигналу



Мал. 6. Схеми підключення до джерел аудіосигналу

Увімкнення системи

- Підключіть шнур живлення 15 до розетки.
- Увімкніть живлення АС вимикачем POWER ON/OFF на задній панелі сабвуфера.
- Увімкніть АС поворотом регулятора на передній панелі або кнопкою на ПДУ.
- Виберіть бажане джерело сигналу короткочасним натисканням кнопки INPUT на панелі управління або натисканням кнопки на ПДУ.

Управління загальною гучністю звуку

- Виберіть бажаний рівень гучності системи за допомогою регулятора на панелі управління або скористайтесь кнопками VOL+/- 19 на ПДУ.

Управління гучністю колонок і сабвуфера

- Кнопками BASS +/- 11 і TREBLE +/- 22 на пульті ДУ можна відрегулювати (збільшити/зменшити) відповідно рівень низьких і високих частот системи.
- Рівень гучності фронтальних, тилкових і центральної колонок можна відрегулювати відповідно кнопками FL +/- 6, FR +/- 17, SL +/- 8, SR +/- 20 і CEN +/- 18 на пульті ДУ. А кнопками SW +/- 7 на ПДУ можна відрегулювати рівень гучності сабвуфера.

Перемикання режимів

- Для переходу в один з режимів PC, AUX, OPT, COX, Bluetooth, FM, MP3 чи DVD необхідно при увімкненій АС натиснути на ручку регулювання гучності INPUT 8 на передній панелі або на кнопку INPUT 1 на ПДУ (мал. 3). На дисплеї сабвуфера висвітлиться відповідний напис «PC», «AUX», «OPT», «COX», «BLUE», «Radio», «USB», «SD» чи «DVD».

Режим 2.1/5.1

• Для емуляції режиму 5.1 з режиму 2.1 потрібно при увімкненій АС скористатися кнопкою PRO ⑩ на ПДУ. На дисплеї сабвуфера висвітиться індикатор NORMAL/PROLOGIC.

Режим програвача

- Для переходу в режим програвача необхідно при увімкненій АС на передній панелі натиснути на ручку регулювання гучності INPUT ⑧ або кнопку INPUT ① на ПДУ. На дисплеї короткочасно відобразиться обраний режим, згодом кількість знайдених треків і порядковий номер відтворюваного трека, далі час відтворення від початку. Відтворення розпочнеться автоматично.
- Для вибору трека можна безпосередньо ввести його порядковий номер з ПДУ або використовуючи кнопки ⑤, ⑦ на передній панелі або кнопки ④ на ПДУ. На індикаторі короткочасно відобразиться порядковий номер трека, далі час відтворення від початку.

Режим радіо

- За допомогою натискання на ручку регулювання гучності INPUT ⑧ на передній панелі сабвуфера або кнопки INPUT ① на пульті ДУ оберіть режим FM, загориться індикатор «FM» на панелі управління.
- Для автоматичного сканування і запам'ятовування знайдених станцій використовуйте короткочасне натиснення кнопки ⑥ на передній панелі або ⑤ ПДУ. Повторне натиснення на ці кнопки до закінчення сканування зупинить процес сканування. Під час сканування на передній панелі відображається частота, при запам'ятовуванні станції короткочасно відобразиться присвоєний порядковий номер.
- Для ручного сканування діапазону використовуйте кнопки на ПДУ TUNE- (вниз по частоті) і TUNE+ (вгору по частоті). Для збереження вибраної частоти натисніть кнопку SAVE ⑩, кнопками ④ виберіть номер соти в пам'яті для збереження і повторно натисніть кнопку SAVE ⑩. Під час збереження на індикаторі відобразиться повідомлення «Good».
- Якщо в пам'яті є запам'ятовані станції, перемикання здійснюється короткочасним натисненням кнопок ⑤, ⑦ на передній панелі або кнопок ④ на ПДУ. Частоту станції також можна ввести за допомогою цифрового поля. Радіоприймач налаштується на задану частоту через 2-3 сек.

Режим годинника

- Під час перебування АС в режимі ST.BY на дисплеї ① відображається поточний час. Під час перебування системи в іншому режимі для відображення часу необхідно скористатися кнопкою CLOCK ⑫ на ПДУ. Поточний час відобразиться на 3-5 сек.
- Для встановлення поточного часу перейдіть в режим «ST.BY» тривалим натисканням на ручку регулювання гучності INPUT ⑧ на передній панелі чи кнопки m на ПДУ. Увійдіть до режиму встановлення часу натисненням кнопки SET ② на ПДУ (на дисплеї ① відповідний розряд почне блимати). Встановіть необхідне значення годин і хвилин безпосередньо з цифрового поля ⑨ на ПДУ або кнопками ⑤, ⑦ на передній панелі чи кнопками ④ на ПДУ. Перемикання між встановленням годин/хвилин і вихід з режиму встановлення здійснюється коротким натисненням кнопки SET ②.

Режим Bluetooth

- Для передачі сигналу в цьому режимі потрібно заздалегідь встановити зв'язок з джерелом сигналу (див. мал. 4). Для цього виберіть режим Bluetooth за допомогою натискання на ручку регулювання гучності INPUT ⑧ на передній панелі сабвуфера або на кнопку INPUT ① на ПДУ. Через 2-3 секунди АС перейде у режим пошуку, на дисплеї відобразиться режим «BLU».
- На джерелі сигналу (телефон, ноутбук, смартфон тощо) потрібно вибрати режим пошуку пристроїв Bluetooth. На екрані відобразиться найменування «HT-210», з яким потрібно встановити з'єднання*.
- Якщо підключення вдале, індикатор «BLU» має постійне світіння. Якщо підключення не відбулося, індикатор «BLU» має переривчасте світіння. У цьому випадку слід ще раз перевести систему в режим пошуку (вимкнути і знову ввімкнути режим Bluetooth)**.
- Під час з'єднання з джерелом сигналу можна управляти програвачем джерела сигналу з ПДУ або за допомогою кнопок на передній панелі сабвуфера.

* Для з'єднання через Bluetooth з деякими моделями пристроїв, можливо, треба буде ввести код «0000».

** Якщо виріб вже прописано у списку пристроїв джерела звуку, то повторна активація режиму пошуку не обов'язкова. Виберіть лише ім'я виробу і команду «підключитися» на джерелі.

Режим ST.BY

- Для переходу/виходу з цього режиму натисніть і утримуйте регулятор рівня гучності INPUT ⑧ на передній панелі або кнопку ⏻ ③ на ПДУ. Під час переходу в цей режим дисплей ① на передній панелі відображається поточний час.

Відміна аудіоналаштувань

- Натисніть кнопку RESET ② на ПДУ для відміни аудіоналаштувань.

Примітки. Якщо Ви тривалий час не використовуєте АС, не забудьте вимкнути пристрій вимикачем POWER (⑮, положення OFF) та вийняти вилку мережевого шнура ⑰ з розетки. Для підвищення якості відтворення звуку скористайтеся виходом звукової карти Line-Out.

6. УСУНЕННЯ НЕСПРАВНОСТЕЙ

Несправність	Причина	Спосіб усунення
АС не вмикається.	Не підключена до мережі.	Перевірте правильність підключення.
	Не увімкнено мережевий вимикач.	Увімкніть вимикач.
Немає звуку.	Рівень гучності встановлено в найменшому положенні.	Налаштуйте рівень гучності.
	Неправильно підключено джерела аудіосигналу.	Підключіть правильно джерела сигналу.
В колонках АС занадто тихий звук.	Рівень гучності встановлено в найменшому положенні.	Налаштуйте рівень гучності.
Спотворення звуку.	Велика амплітуда вхідного сигналу.	Регуляторами гучності джерела сигналу та АС зменшіть величину вхідного сигналу.
Не функціонує пульт ДУ.	Розряджені батарейки.	Замініть батарейки на нові.
	Дія прямих сонячних променів.	Змініть розташування сабвуфера або пульта ДУ.
	Перешкода між пультом та приймачем сабвуфера.	Змініть розташування сабвуфера або пульта ДУ.
Не працює FM-тюнер.	Не підключена FM-антена.	Підключіть FM-антену.
	Поганий прием на антену.	Підключіть зовнішню FM-антену.

Якщо жоден зі вказаних вище способів не дає змогу вирішити проблему, будь ласка, зверніться за професійною консультацією до найближчого до Вас сервісного центру. Ніколи не намагайтеся ремонтувати АС самостійно.

7. ТЕХНІЧНІ ХАРАКТЕРИСТИКИ

Характеристики та одиниці виміру	Значення
Вихідна потужність (RMS), Вт: сабвуфера сателітів	125 (50 + 5 × 15) 50 5 × 15
Діапазон частот, Гц: сабвуфера сателітів	40–200 200–20 000
Діапазон частот УКВ, МГц (крок 50 кГц)	87,0–108,0
Діаметр динаміків, мм: сабвуфера сателітів	Ø 133 ШС Ø 80
Напруга живлення, В/Гц	~230/50 □
Радіус дії Bluetooth, м	до 10
Розміри (Ш × В × Г), мм: сабвуфера сателітів центрального сателіта	198 × 345 × 300 120 × 216 × 103 282 × 120 × 105
Номінальний струм споживання, А	0,21
Вага, кг	12,4

Примітки. Технічні характеристики, наведені в таблиці, довідкові і не можуть служити підставою для претензій. Продукція торговельної марки SVEN постійно удосконалюється. З цієї причини технічні характеристики та комплектність можуть бути змінені без попереднього повідомлення.

5.1 Active Home Theater Speaker System with Bluetooth

SVEN®

Model: HT-210

Importer: Tiralana OY, Office 102, Kotolahdentie 15, 48310 Kotka, Finland.

Модель: HT-210

Импортер в России: ООО «Регард», 105082, г. Москва, ул. Фридриха Энгельса, д.75, стр. 5. Уполномоченная организация в России: ООО «РТ-Ф», 105082, г. Москва, ул. Фридриха Энгельса, д. 56, стр. 1. Условия гарантийного обслуживания смотрите в гарантийном талоне или на сайте www.sven.fi. Гарантийный срок: 12 мес. Срок службы: 5 лет. Производитель: «СВЕН ПТЕ. Лимитед», 176 Джу Чиат Роуд, № 02-02, Сингапур, 427447. Произведено под контролем «Свен Скандинавия Лимитед», 48310, Финляндия, Котка, Котолахдентие, 15. Сделано в Китае.

Модель: HT-210

Постачальник/імпортер в Україні: ТОВ «СВЕН Центр», 08400, Київська область, м. Переяслав-Хмельницький, вул. Героїв Дніпра, 31, телефон (044) 233-65-89/98. Призначення, споживчі властивості та відомості про безпеку товару дивіться у Керівництві з експлуатації. Умови гарантійного обслуговування дивіться в гарантійному талоні або на сайті www.sven.fi. Гарантійний термін: 12 міс. Строк служби: 5 років. Товар сертифіковано/має гігієнічний висновок. Шкідливих речовин не містить. Зберігати в сухому місці.

Виробник: «СВЕН ПТЕ. Лимитед», 176 Джу Чиат Роуд, № 02-02, Сингапур, 427447. Виготовлено під контролем «Свен Скандинавия Лимитед», 48310, Финляндия, Котка, Котолахдентіє, 15. Зроблено в Китаї.

Manufacturer: SVEN PTE. LTD, 176 Joo Chiat Road, № 02-02, Singapore, 427447.

Produced under the control of Oy Sven Scandinavia Ltd. 15, Kotolahdentie, Kotka, Finland, 48310. Made in China.

® Registered Trademark
of Oy SVEN
Scandinavia Ltd. Finland.



2K1101

HT-210