

## Assembly Manual of Storm Series Horizontal Units

1. Use **SE-72002** two-gang case to assemble **Storm** series sockets and/or switches (in different combinations) as a horizontal unit (see Fig. 1).

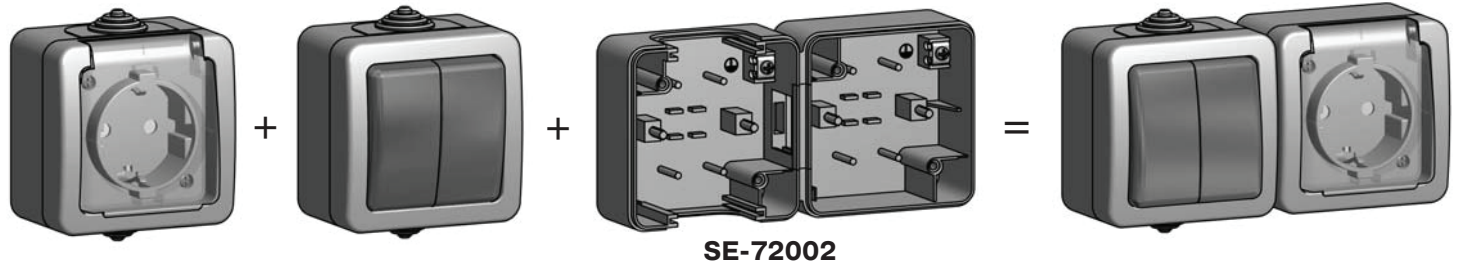


Fig. 1. Socket + Switch + SE-72002 two-gang case = Two-gang unit: socket + switch

2. Disassemble sockets and switches before connection, for this purpose unscrew 2 screws (pos. 1) on the front covers (pos. 2), extract the switching mechanism (pos.3) of the switch, as well as the connecting mechanism (pos. 3) of a socket and sealing bushes (pos. 4) from the cases (pos.5), as shown in Fig. 2 and 3.

3. Install SE-72002 two-gang case (pos. 8) at the installation site. Insert the switching mechanism (pos. 3) of a switch, the connecting mechanism (pos. 3) of a socket and sealing bushes (pos. 4) into the two-gang case (pos. 8) (see Fig. 4). Carry out all necessary commutation connections according to the required diagram. A removable connection element (pos. 7) is provided as convenience for inner connections between compartments of the case.

4. Check the installation correctness, close the case with the front covers (pos. 2) and fix them with screws (pos. 1), as shown in Fig. 4. Insert the switch keys (pos. 6) into slots of the switching mechanism and press them until their clicking position. The final appearance of the unit assembled and possible versions of its assembling are given in Fig 5.

**Note. Sockets and switches must be installed and connected by a skilled specialist only!**

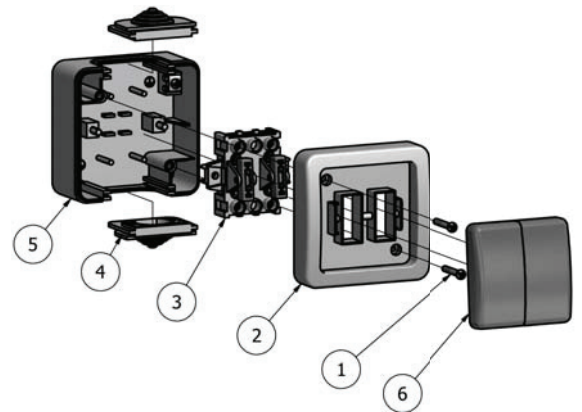


Fig. 2. The disassembled switch

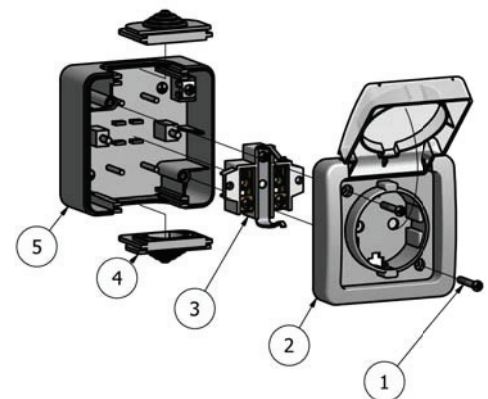


Fig. 3. The disassembled socket

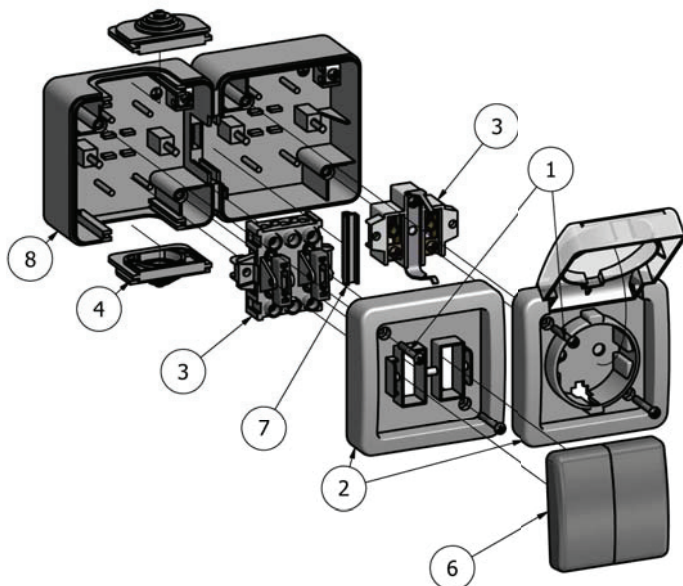


Fig. 4. The disassembled switch and socket



Fig. 5. Possible versions of units assembled