

Assembly Manual of Storm Series Vertical Units

1. Use **SE-72000** two-gang case to assemble **Storm** series sockets and/or switches (in different combinations) as a vertical unit (see Fig. 1).

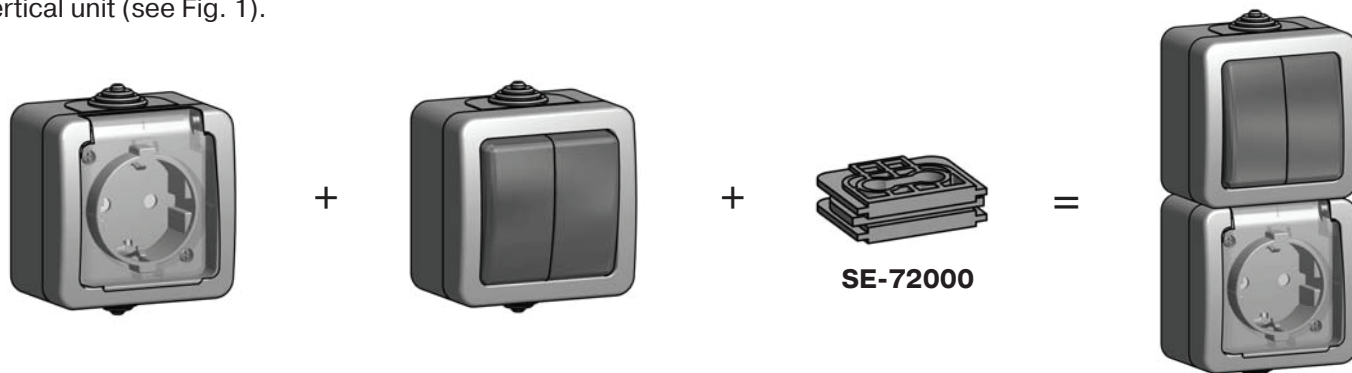


Fig. 1. Socket + Switch + SE-72000 connection element = Two-gang unit: socket + switch

2. Disassemble sockets and switches before connection, for this purpose unscrew 2 screws (pos. 4) on the front covers (pos. 3) and extract sealing bushes (pos. 2) from that side of the case (pos. 5), where you plan to build up a unit, as shown in Fig. 2 and 3.

3. Insert SE-72000 connection element (pos. 7) into the relevant slots of the cases to be connected (see Fig. 4). Fix every case of the assembled unit at the installation site. Carry out all necessary commutation connections according to the required diagram. The connection element (pos.7) has special holes for wires to connect mechanisms of units.

4. Check the installation correctness, close the case with the front covers (pos. 3) and fix them with screws (pos. 4). Insert the switch keys (pos. 6) into slots of the switching mechanism and press them until their clicking position, as shown in Fig. 4. Use additional connection elements to assemble many numbers of cases into units. With the use of SE-72000 connection elements you can assemble double-row units of different combinations. The final appearance of the unit assembled and possible versions of its assembling are given in Fig. 5.

Note. Sockets and switches must be installed and connected by a skilled specialist only!

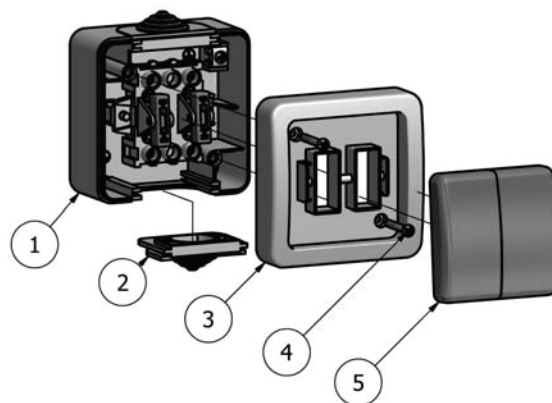


Fig. 2. The disassembled switch

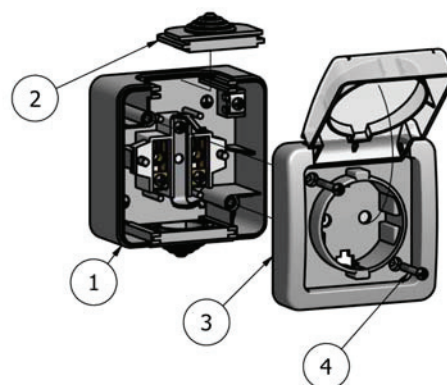


Fig. 3. The disassembled socket

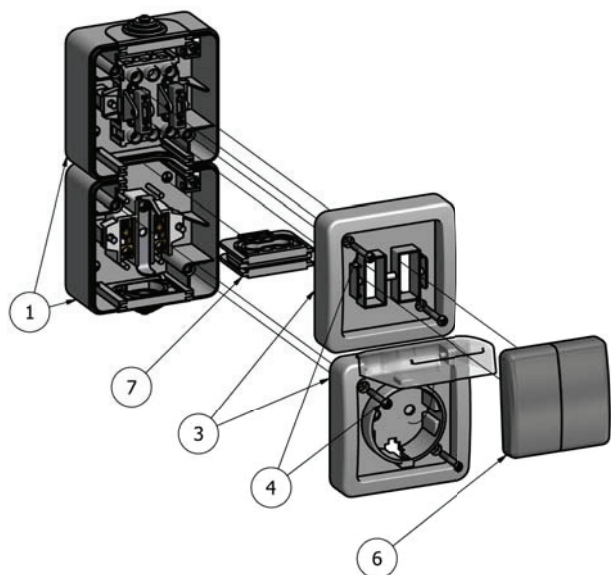


Fig. 4. The disassembled switch and socket



Fig. 5. Possible versions of units assembled